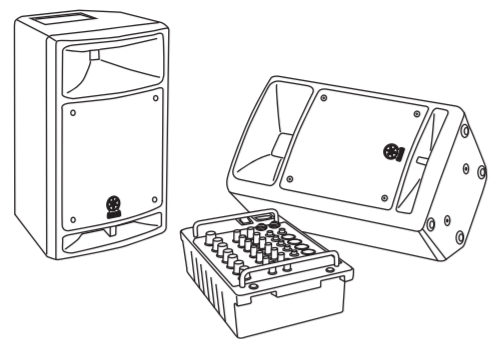


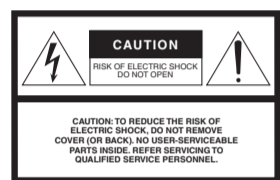
Introduction

Thank you and congratulations on your purchase of the Yamaha PORTABLE PA SYSTEM STAGEPAS 300. The STAGEPAS 300 is a versatile, compact PA system consisting of two speakers and a mixer. In order to get the most out of your new STAGEPAS 300 and its sophisticated functions, we suggest you read through this manual thoroughly. Also keep it in a safe place for future reference.



Features

- Two-way, 8-inch (20 cm) speaker system**
The built-in speakers deliver high-quality powerful sound from an exceptionally compact cabinet. The scratch-resistant speakers are rugged enough for outdoor use.
- Powered mixer**
The powered mixer is a convenient, high-performance all-in-one unit that includes EQ and reverb. With four mono inputs and two stereo inputs, the STAGEPAS 300 can be connected to a wide range of instruments and devices.
- Convenient storage**
The STAGEPAS 300 can be used in even the most cramped quarters, inside or outside, since the mixer is built into one of the speaker cabinets. The other speaker has a special compartment for storing speaker cables and microphones, letting you put all you need for your performance in one convenient place.



Explanation of Graphical Symbols

The lightning flash with arrowhead symbol within an equilateral triangle is intended to alert the user to the presence of uninsulated "dangerous voltage" within the product's enclosure that may be of sufficient magnitude to constitute a risk of electric shock to persons.

The exclamation point within an equilateral triangle is intended to alert the user to the presence of important operating and maintenance (servicing) instructions in the literature accompanying the product.

IMPORTANT SAFETY INSTRUCTIONS

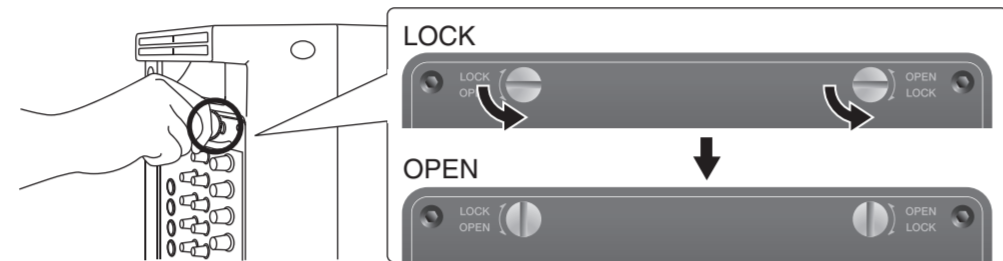
1. Read these instructions.
2. Keep these instructions.
3. Heed all warnings.
4. Follow all instructions.
5. Do not use this apparatus near water.
6. Clean only with dry cloth.
7. Do not block any ventilation openings. Install in accordance with the manufacturer's instructions.
8. Do not install near any heat sources such as radiators, heat registers, stoves, or other apparatus (including amplifiers) that produce heat.
9. Do not defeat the safety purpose of the polarized or grounding-type plug. A polarized plug has two blades with one wider than the other. A grounding type plug has two blades and a third grounding prong. The wide blade or the third prong are provided for your safety. If the provided plug does not fit into your outlet, consult an electrician for replacement of the obsolete outlet.
10. Protect the power cord from being walked on or pinched particularly at plugs, convenience receptacles, and the point where they exit from the apparatus.
11. Only use attachments/accessories specified by the manufacturer.
12. Use only with the cart, stand, tripod, bracket, or table specified by the manufacturer, or sold with the apparatus. When a cart is used, use caution when moving the cart/appliances combination to avoid injury from tipover.
13. Unplug this apparatus during lightning storms or when unused for long periods of time.
14. Refer all servicing to qualified service personnel. Servicing is required when the apparatus has been damaged in any way, such as power-supply cord or plug is damaged, liquid has been spilled or objects have fallen into the apparatus, the apparatus has been exposed to rain or moisture, does not operate normally, or has been dropped.

Package Contents

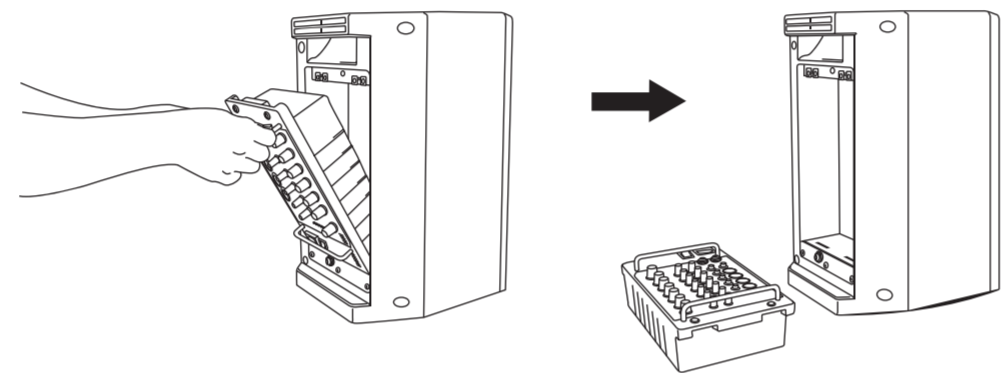
Two speakers, mixer, panel, power cord, two speaker cables, Owner's Manual (this booklet)
NOTE: The mixer and the panel are installed in the speakers when the STAGEPAS 300 leaves the factory.

Before turning on the mixer Remove the mixer

1. Be sure that the mixer's power switch is turned off.
2. Use a screwdriver or coin to turn each screw on the mixer from LOCK to OPEN until it clicks.



3. Securely hold the mixer's handles to remove it from the speaker.



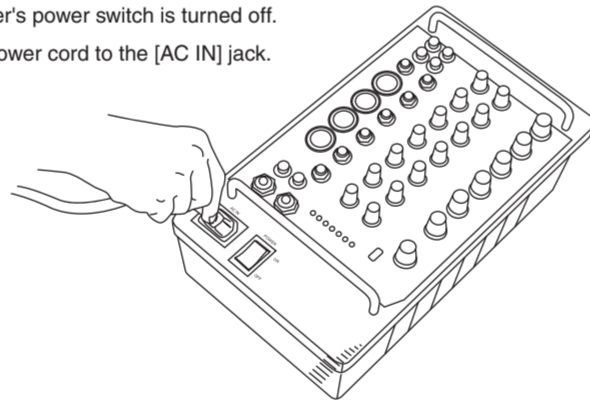
CAUTION Use only the mixer's handles when removing the mixer from the speaker and when carrying the mixer separate from the speaker.

NOTE: The mixer can also be used when installed in the speaker.

When you install the mixer into the speaker, make sure to match the indentations on the speaker cabinet to the corresponding parts on the mixer, and then turn each screw from OPEN to LOCK until it clicks.

Power supply connections

1. Make sure that the mixer's power switch is turned off.
2. Connect the included power cord to the [AC IN] jack.



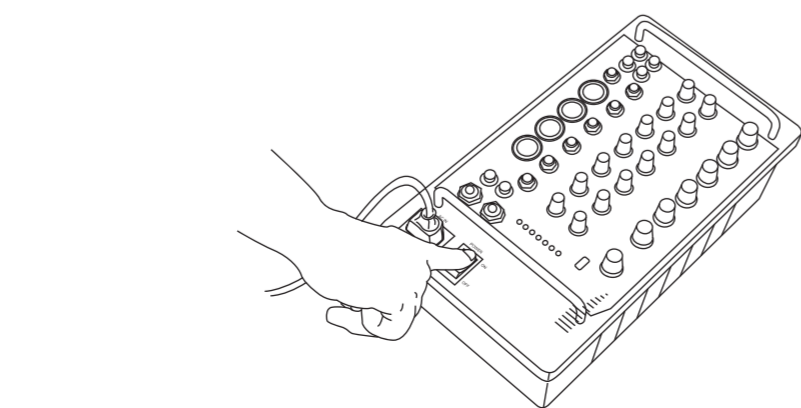
3. Plug the power cord into a power outlet.

Turning the power on/off

- To avoid any loud, unexpected noise from the speakers, first turn on the power to those connected devices that are closest to the sound source.
Example: Sound source (CD player or instrument) → STAGEPAS 300
When turning off the power to the system, reverse the order described above.

- Before turning on the power, set the LEVEL controls and MASTER LEVEL control to their minimum setting (zero).
- Before connecting any devices including the supplied speakers, make sure to turn off the power for all devices. To avoid any possible malfunction, use only the speaker cables included with the device.

Press the mixer's power switch to the ON position (the POWER indicator lights).
To turn the power off, press the power switch to the OFF position (the POWER indicator turns off).



Troubleshooting

Power does not turn on

- Is the included power cord correctly connected to a power outlet?

Power shuts down suddenly

- Is the volume set at high for an extended period of time?
If the mixer is used at a volume beyond the permissible level, the protection circuit automatically turns the power off. Turn on the power again only after the mixer cools, since it cannot be turned on until the internal temperature goes down. Reduce the volume with the MASTER LEVEL control so that the LIMITER indicator flashes only briefly in response to the highest transient peaks.

- Is the vent on the top panel of the mixer blocked?
Since inadequate ventilation can result in overheating the mixer, the protection circuit may come on automatically and the power may be turned off. Turn on the power again only after the mixer cools, since it cannot be turned on until the internal temperature goes down.

No sound is heard

- Are external instruments (including a microphone) or speakers correctly connected to the mixer?
- Are the LEVEL controls of all relevant channels and/or the MASTER LEVEL control set to appropriate levels?
- Are the SPEAKER L/R jacks connected to the included speakers?
- Are the included speaker cables used?
If the connector of a speaker cable other than the included speaker cable touches any metal parts such as the mixer's handle, no sound may result because of a short circuit. Use only the speaker cables included with the device.
- Is the POWER indicator flashing?
There may be a short in the speaker cable or the connection may be faulty. Check that the speaker cable is correctly connected to the mixer and reapply the power.
- If sound is not still output, contact your Yamaha dealer.

Sound is interrupted

- Is the volume set too high?
If the mixer is used at a volume beyond the permissible level, the sound may be interrupted as the protection circuit automatically turns the power off and resets repeatedly. Reduce the volume with the MASTER LEVEL control so that the LIMITER indicator flashes only briefly on the highest transient peaks.

Sound is distorted or noise is produced

- Are the LEVEL controls of all relevant channels and/or the MASTER LEVEL control set to appropriate levels?
- Are the MIC/LINE switches of each channels set appropriately?
- Are both XLR type and phone type jacks on channels 1–4 being used (connected) at the same time?
Please connect to only one of these jacks on each channel.
- Is the input signal from the connected device set to an appropriate level?

Sound is not loud enough

- Are the LEVEL controls of all relevant channels and/or the MASTER LEVEL control set to appropriate levels?
- Are the MIC/LINE switches of each channels set appropriately?
- Are both XLR type and phone type jacks on channels 1–4 being used (connected) at the same time?
Please connect to only one of these jacks on each channel.
- Is the input signal from the connected device set to an appropriate level?

Reverb is not applied to the sound

- Are the REVERB switches of each channels set to ON ()?
- Is the REVERB control set to an appropriate level?

Changing the sound quality

- Are the Equalizer controls (HIGH/LOW) set to appropriate levels?
If you want to get a more powerful sound from the speakers, set the SPEECH/MUSIC switch to MUSIC ().
- If you want to get a clearer sound for announcements, set the SPEECH/MUSIC switch to SPEECH ().

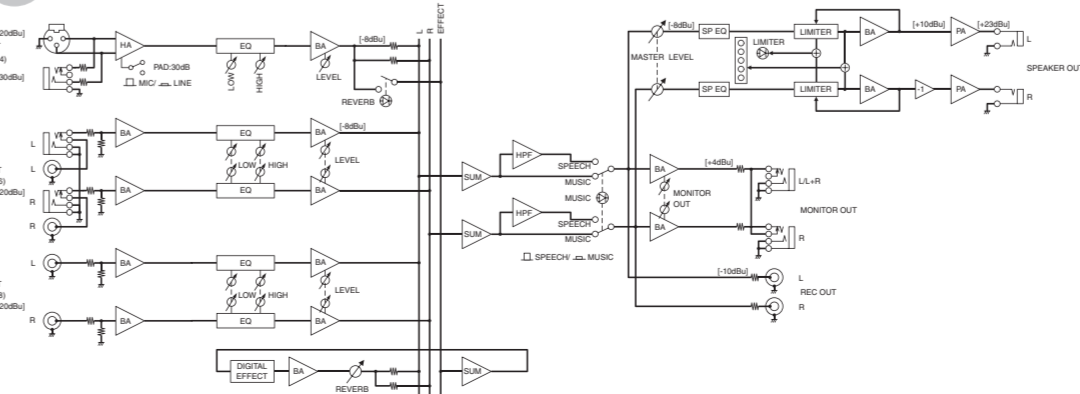
Using a single speaker

- You can use a single speaker. If you use a single speaker, the mixer outputs just one channel of the stereo signal, left or right.

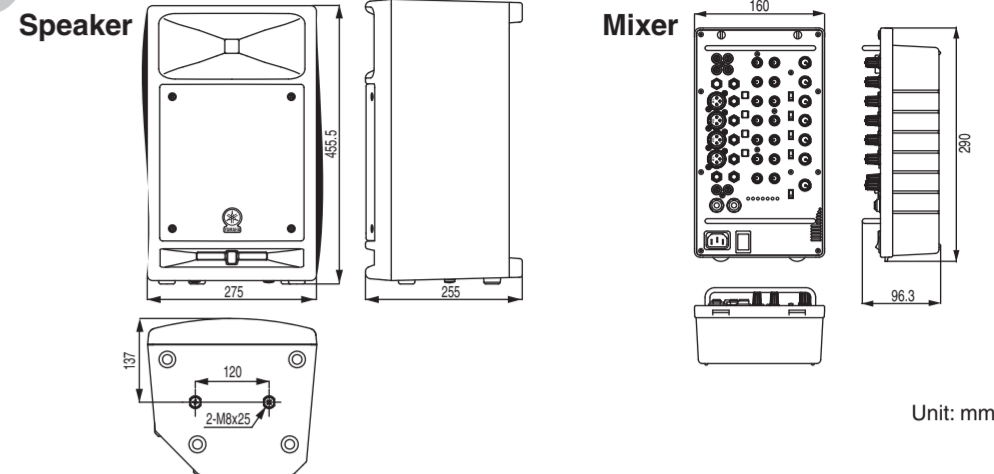
Outputting the signal for monitoring

- Connect a powered speaker to the MONITOR OUT jack. The MONITOR OUT jack outputs the signal prior to routing through the MASTER LEVEL control. Adjust the level of output signal from the MONITOR OUT jack with the MONITOR OUT control. The MONITOR OUT control does not affect the MASTER LEVEL control. If the signals are output from the L (left) MONITOR OUT jack, the mixer feeds the mixed L and R signals to the jack.

Block Diagram



Dimensions



Specifications

General Specifications
Maximum Output Power
150 W-150 W/6 Ω @10 % THD at 1 kHz (SPEAKER L/R)
±100 W-100 W/6 Ω @1 % THD at 1 kHz (SPEAKER L/R)

Frequency Response
-3 dB, 0 dB, +1 dB @20 Hz-20 kHz, 1 W Output/6 Ω (Without MUSIC/SPEECH, EQ and SP EQ Circuit) (SPEAKER L/R)
-3 dB, 0 dB, +1 dB @20 Hz-20 kHz, +4 dBu 10 kΩ Load [MUSIC/SPEECH]switch=MUSIC (MONITOR OUT, REC OUT)

Total Harmonic Distortion
≤1 % @1 kHz, 50 W Output Power (SPEAKER L/R)
≤0.5 % @20 Hz-20 kHz, +14 dBu 10 kΩ (MONITOR OUT, REC OUT)

Hum & Noise (20 Hz-20 kHz, Rs=150 Ω, MIC/LINE switch=MIC)
≤-65 dBu Residual output noise (SPEAKER L/R)
≤-90 dBu Residual output noise (MONITOR OUT, REC OUT)
≤-67 dBu MONITOR OUT control & one CH LEVEL control at nominal level (CH1-4) (MONITOR OUT)

Crosstalk (1 kHz)
≤-70 dB between input channels

Weight
18 kg (mixer and two speakers)

Power Consumption
70 W

Stereo Input Channel Equalization:
Shelving turnover/cutoff frequency: 3 dB before maximum cut or boost.
±15 dB
HIGH 10 kHz shelving
LOW 100 kHz shelving

Speaker Enclosure
Bass-reflex type

Speaker Unit
LF: 8" (20 cm) Cone
HF: 1" (2.54 cm) Compression Driver

Cross Over Frequency
4 kHz

Frequency Range
55 Hz-20 kHz

Maximum Output Level
112 dB (1 m)

Specifications and descriptions in this owner's manual are for information purposes only. Yamaha Corp. reserves the right to change or modify products or specifications at any time without prior notice. Since specifications, equipment or options may not be the same in every locale, please check with your Yamaha dealer.
European models:
Purchaser/User Information specified in EN5103-1 and EN5103-2:
Inrush Current: 40A
Conforms to Environment: E1, E2, E3 and E4

FCC INFORMATION (U.S.A.)
Compliance with FCC regulations does not guarantee that interference will not occur in all installations. If this product is found to be the source of interference, it can be determined by turning the unit "OFF" and "ON", please try to eliminate the problem by using one of the following measures:
Relocate either this product or the device that is being affected by the interference.
Listen power outlets that are on different branch (circuit breaker or fuse) circuits or install AC line filters.
In the case of radio or TV interference, relocate/reorient the antenna. If the antenna lead is 300 cm ribbon lead, change the lead to a co-axial type cable.
If these corrective measures do not produce satisfactory results, please contact the local retailer authorized to distribute this type of product. If you can not locate the appropriate retailer, please contact Yamaha Corporation of America, Electronic Service Division, 6000 Orange Grove Ave., Buena Park, CA 92620.
The above statements apply ONLY to those products distributed by Yamaha Corporation of America or its subsidiaries.

IMPORTANT NOTICE FOR THE UNITED KINGDOM Connecting the Plug and Cord
As the colours of the wires in the mains lead of this apparatus may not correspond with the coloured markings identifying the terminals in your plug, proceed as follows:
The wire which is coloured GREEN and YELLOW must be connected to the terminal in the plug which is marked by the letter E or by the safety earth symbol ⊕.
The wire which is coloured GREEN or GREEN and YELLOW.
The wire which is coloured BLUE must be connected to the terminal which is marked with the letter N or coloured BLACK.
The wire which is coloured BROWN must be connected to the terminal which is marked with the letter L or coloured RED.

PRECAUTIONS

PLEASE READ CAREFULLY BEFORE PROCEEDING

* Please keep this manual in a safe place for future reference.

WARNING

Always follow the basic precautions listed below to avoid the possibility of serious injury or even death from electrical shock, short-circuiting, damages, fire or other hazards. These precautions include, but are not limited to, the following:

- Power supply/Power cord**
• Only use the voltage specified as correct for the device. The required voltage is printed on the name plate of the device.
• Use only the included power cord.
• Do not place the power cord near heat sources such as heaters or radiators, and do not excessively bend or otherwise damage the cord, place heavy objects on it, or place it in a position where anyone could walk on, trip over, or roll anything over it.
- Water warning**
• Do not expose the device to rain, use it near water or in damp or wet conditions, or place containers on it containing liquids which might spill into any openings.
• Never insert or remove an electric plug with wet hands.

If you notice any abnormality

- If the power cord or plug becomes frayed or damaged, or if there is a sudden loss of sound during use of the device, or if any unusual smells or smoke should appear to be caused by it, immediately turn off the power switch, disconnect the electric plug from the outlet, and have the device inspected by qualified Yamaha service personnel.
- If this device should be dropped or damaged, immediately turn off the power switch, disconnect the electric plug from the outlet, and have the device inspected by qualified Yamaha service personnel.

Do not open

Do not open the device or attempt to disassemble the internal parts or modify them in any way. The device contains no user-serviceable parts. If it should appear to be malfunctioning, discontinue use immediately and have it inspected by qualified Yamaha service personnel.

CAUTION

Always follow the basic precautions listed below to avoid the possibility of physical injury to you or others, or damage to the device or other property. These precautions include, but are not limited to, the following:

- Power supply/Power cord**
• Remove the electric plug from the outlet when the device is not to be used for extended periods of time, or during electrical storms.
• When removing the electric plug from the outlet, always hold the plug itself and not the cord. Pulling by the cord can damage it.
- Location**
• Before moving the device, remove all connected cables.
• Do not use the device in a confined, poorly-ventilated location. Make sure that there is adequate space between the mixer and surrounding walls or other devices at least 30 cm at the sides, 30 cm behind and 30 cm above. If the mixer is to be used installed into the speaker cabinet, make sure to allow adequate space between the speaker and the surrounding walls or other devices: at least 30 cm at the sides, 30 cm behind and 30 cm above. Inadequate ventilation can result in overheating, possibly causing damage to the device(s), or even fire.
• Do not use the speaker's handles for suspended installation. Doing so can result in damage or injury.
• Avoid setting all equalizer controls and LEVEL controls to their maximum. Depending on the condition of the connected devices, doing so may cause feedback and may damage the speakers.
• Do not expose the device to excessive dust or vibrations, or extreme cold or heat (such as in direct sunlight, near a heater, or in a car during the day) to prevent the possibility of panel disfiguration or damage to the internal components.
• Do not place the device in an unstable position where it might accidentally fall over.
• Do not block the vents. This mixer has ventilation holes at the top to prevent the internal temperature from becoming too high. In particular, do not place the device on its side or upside down. Inadequate ventilation can result in overheating, possibly causing damage to the device(s), or even fire.
• Do not use the device in the vicinity of a TV, radio, stereo equipment, mobile phone, or other electronic devices. Doing so may result in noise, both in the device itself and in the TV or radio next to it.

XLR-type connectors are wired as follows (IEC60266 standard): pin 1: ground, pin 2: hot (+), and pin 3: cold (-).

Interference From Cell Phones
Using a cell phone near the speaker system can induce noise. If this occurs, move the cell phone further away from the speaker system.

Yamaha cannot be held responsible for damage caused by improper use or modifications to the device.

Always turn the power off when the device is not in use. The performance of components with moving contacts, such as switches, volume controls, and connectors, deteriorates over time. Consult qualified Yamaha service personnel about replacing defective components.

Illustrations in this manual are for explanatory purposes only, and may not match the actual appearance of the product during operation. Company names and product names used in this Owner's Manual are trademarks or registered trademarks of their respective owners.

STAGEPAS 300



Quick Guide

Getting sound out of the system

Using the included speakers, set up the system and try it out.

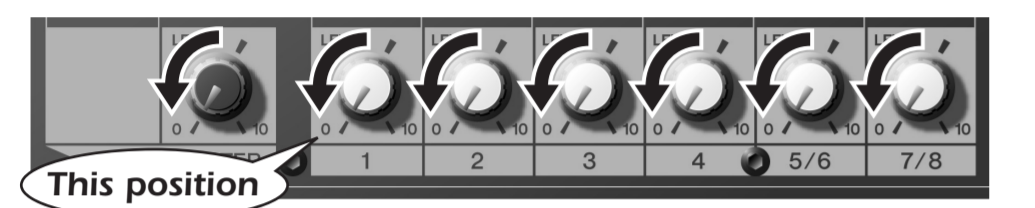
1 Connect the included speakers and your instruments to the mixer.

Connect the included speakers to the SPEAKER L/R jack. Connect the sources (guitar, other instruments) to the input jacks. For details, see "Connection Example."

Caution Before connecting any devices, make sure to turn off the power for all devices (including microphones or the included speakers). To avoid any possible malfunction, use only the speaker cables included with the device. Also, before turning the power on or off, set the volume levels on all devices to minimum.

NOTE: For best results when connecting an electric guitar or bass guitar to the mixer, use a direct box, preamp (guitar amp), or amp simulator.

2 Set the mixer's LEVEL controls and MASTER LEVEL control to the minimum (zero).



3 Depending on the device used, set the MIC/LINE switch to MIC () or LINE () as appropriate.

For low-level signals (such as that of microphones), set the switch to the MIC () position. For high-level signals (such as keyboard instruments and audio equipment), set the switch to the LINE () position.

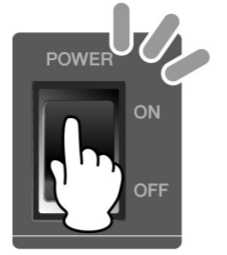


4 Turning the power on

First, turn on the power to any connected devices, then turn the STAGEPAS 300 power on. If you've connected powered speakers to the mixer, turn on the power of the mixer first, then the powered speakers.

Caution To avoid any loud, unexpected noise from the speakers, first turn on the power to those connected devices that are closest to the sound source.

Example: Sound source (CD player or instrument) → STAGEPAS 300 → (Power amplifier) When turning off the power to the system, reverse the order described above.

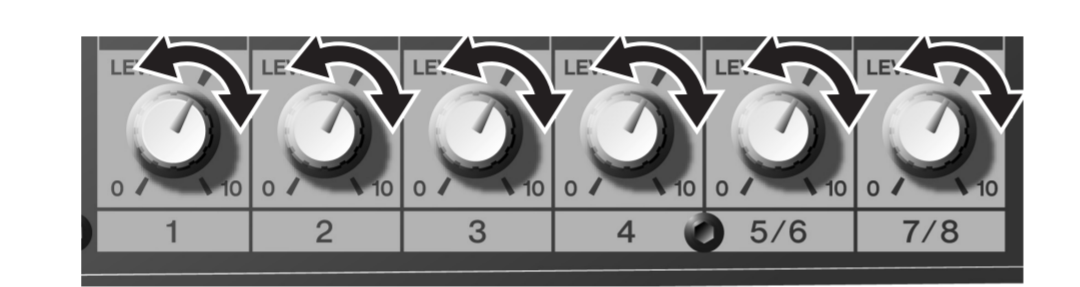


5 Set the MASTER LEVEL control to the optimum position (indicated by the arrow).



6 While playing your instrument or singing into the microphone, adjust the LEVEL control of the corresponding channel.

Adjust the LEVEL Control of the corresponding channel so that the "0" LED lights up momentarily.



7 Use the MASTER LEVEL control to adjust the overall volume.

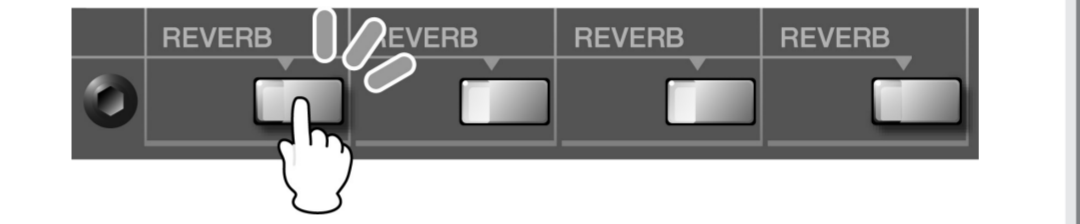
Caution If the LIMITER indicator flashes continuously, the internal power amplifier section is being excessively overloaded and may malfunction.



Applying reverb or echo to the sound

Reverb recreates the warm ambience of an actual performance space, such as a concert hall or a night club.

1 For each channel you want to apply reverb, set the corresponding REVERB switch to ON ().



2 Use the REVERB control to adjust the overall reverb.

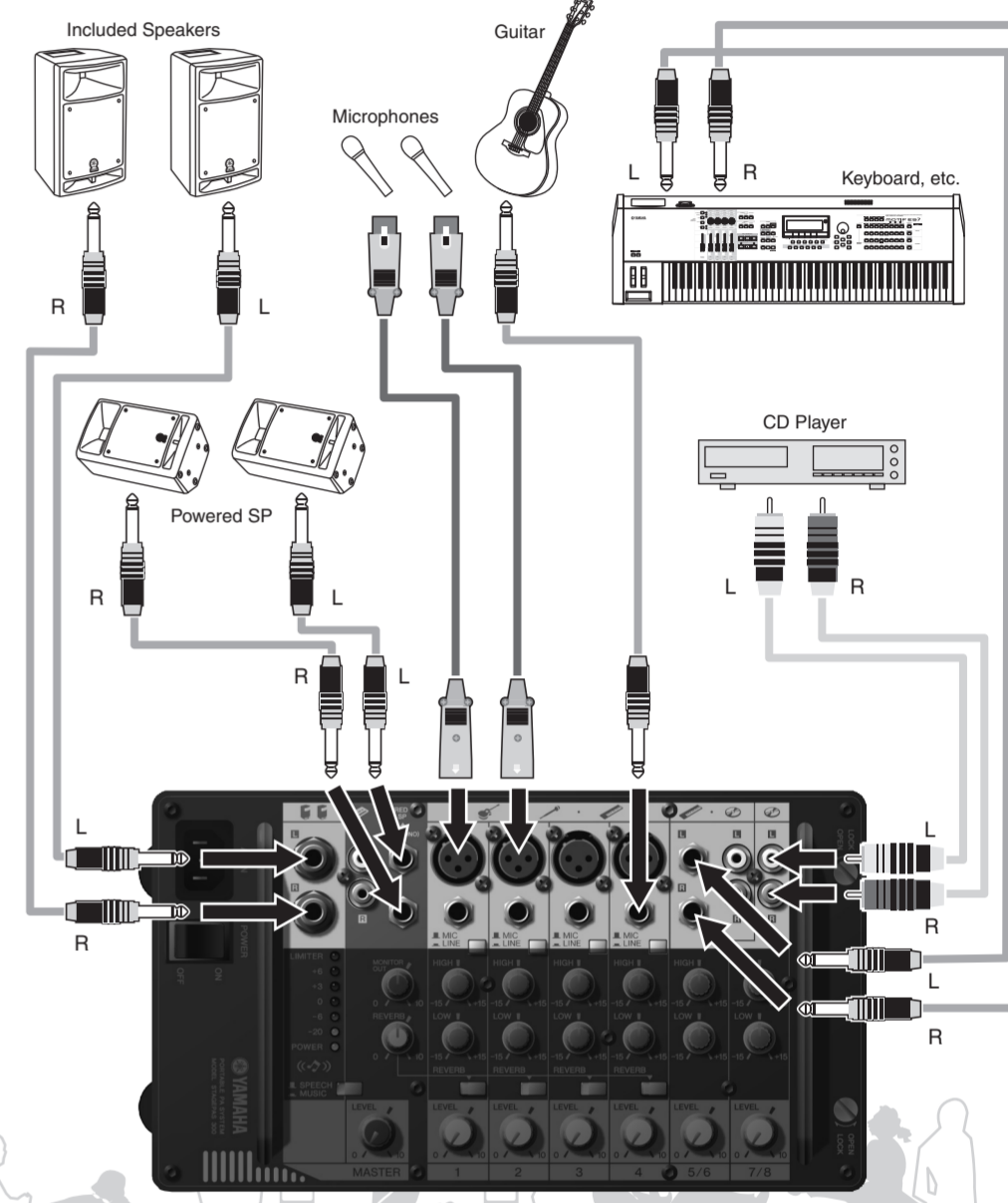


Connection Example

The STAGEPAS 300 can be used in a wide variety of sound reinforcement applications, from a full-band performance onstage to solo street performance—providing a powerful, high-performance system in an exceptionally compact and portable package.

Connect a guitar or a microphone to the monaural input jacks (channels 1 to 4) and connect a keyboard to the stereo input jacks (channels 5/6 or 7/8). If you have a powered speaker, you can connect it to the MONITOR OUT jack for monitoring your vocals. For optimum results in band performance applications and to create a more powerful sound for music, make sure to set the SPEECH/MUSIC switch to MUSIC.

NOTE: For best results when connecting an electric guitar or bass guitar to the mixer, use a direct box, preamp (guitar amp), or amp simulator.



Controls and Functions

1 AC IN jack
Connect the included power cable here.

Caution Be sure to use the included power cord. Use of other cords may result in malfunction, heat generation, or fire.

2 POWER switch
For turning the power to the mixer on and off.

16 LEVEL meter
The LEVEL meter shows the level of the output signal from the SPEAKER L/R jacks.

Caution If the LIMITER flashes continuously, the internal power amplifier section is being excessively overloaded and may malfunction. Reduce the output level with the MASTER LEVEL control so that the indicator flashes only briefly on the highest transient peaks.

17 POWER indicator
This lights when the POWER switch is ON. When the indicator flashes, the protection circuit is operating. Check that the speaker cable is correctly connected to the mixer and reapply the power.

15 MONITOR OUT Control
Determines the signal level output from the MONITOR OUT jack.

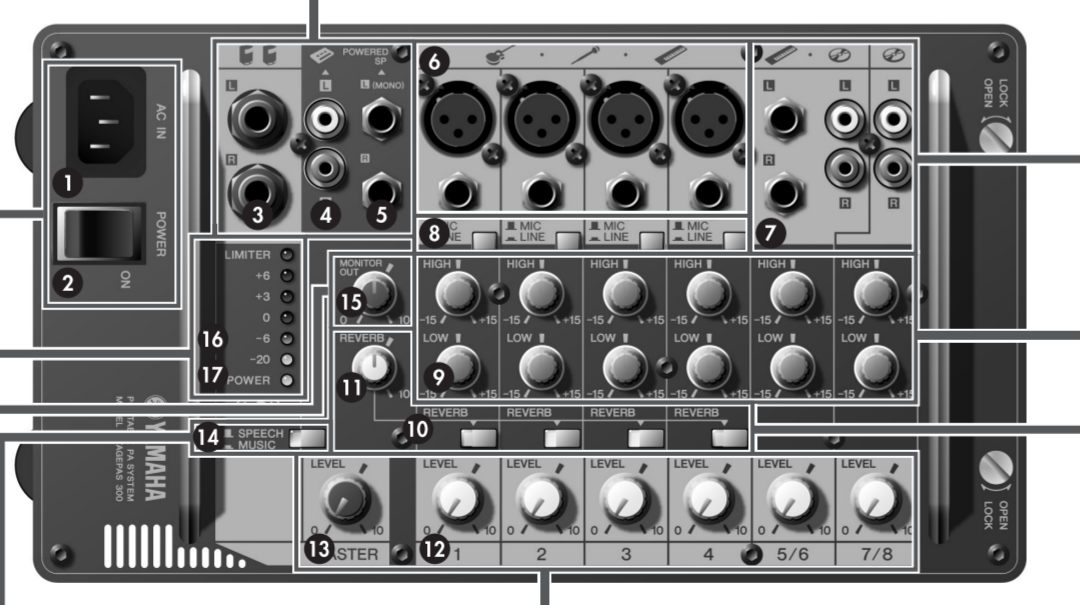
NOTE: The MASTER LEVEL Control does not affect the signal via the MONITOR OUT Control.

14 SPEECH/MUSIC switch
Set this switch to SPEECH () to optimize the mixer settings and sound quality for speech purposes and announcements. Set this to MUSIC () to optimize the mixer for musical performance. The switch lights up in yellow when it is set to MUSIC ().

3 SPEAKER L/R jacks (for included speakers only)
These output the mixed signal channels from 1 to 7/8, and the level is adjusted with the MASTER LEVEL control. When connecting the included speakers, make sure to turn the power off first. Also, to avoid any possible malfunction, use only the included speakers and the speaker cables included with the device.

4 REC OUT L/R jacks
These output the mixed signal channels from 1 to 7/8, and the level is unaffected by the MASTER LEVEL control. You can use these jacks, for example, to connect to an external recorder.

5 MONITOR OUT L (MONO) /R jacks
These output the mixed signal channels from 1 to 7/8, and the level is adjusted with the MONITOR OUT control. These jacks are convenient for connecting an external powered speaker for monitoring purposes.



12 LEVEL control
Use these controls to adjust the volume balance among the various channels.

Caution To reduce noise, set any LEVEL controls on unused channels to the minimum.

13 MASTER LEVEL Control
Determines the volume of the signal output from the SPEAKER L/R jacks. This allows you to adjust the overall volume without changing the relative volume balance among the various channels (made with the LEVEL controls) or the tone settings (made with the Equalizer).

6 Channel input jacks (CH 1 to 4)
For connecting a guitar, microphone, keyboard or other instrument/device. For low-level signals (such as that of microphones), set the MIC/LINE switch to the MIC () position. For high-level signals (such as keyboard instruments and audio equipment), set the MIC/LINE switch to the LINE () position.

NOTE: On any given channel, you may use either XLR or phone jack, but not both. Please connect to only one of these jacks on each channel.

7 Stereo channel input jacks (CH 5/6, 7/8)
Input the left and right channels of a stereo signal into the respective odd and even channels of the mixer. These inputs are intended mainly for use with instruments and equipment having stereo outputs, such as a synthesizer or CD player.

NOTE: The channel 5/6 input provides two sets of jacks—both phone jacks and RCA-pin jacks. Either one of these jacks may be used, but not both at the same time. Please connect to only one of these jacks on each channel.

8 MIC/LINE switch
Set this switch to MIC or LINE for channels 1 to 4, depending on the level of the input signal. For low-level signals (such as that of microphones), set the switch to the MIC () position. For high-level signals (such as keyboard instruments and audio equipment), set the switch to the LINE () position.

9 Equalizer

HIGH Determines the level of the high frequency band for each channel. Rotating the knob clockwise boosts the high frequencies and produces a clearer, crisper sound. If you start getting feedback (a high-pitched squealing sound) or you want to make the sound softer and less harsh, turn the knob counterclockwise slightly.

LOW Determines the level of the low frequency band for each channel. Rotating the knob clockwise boosts the low frequencies and produces a deeper, warmer sound. If you start getting feedback or you want to make the sound less boomy, turn the knob counterclockwise slightly.

10 REVERB switch
Set this switch to ON to recreate the rich ambience of various performance environments, such as a concert hall or a night club. The switch lights up in green when REVERB is ON ().

11 REVERB control
Determines the overall level of the reverb or echo that is applied to the output signal. For best results, this level should not be set very high, to avoid possible feedback and to prevent the sound from becoming "muddy" with too much reverb.

Convenient built-in storage compartment

Microphones

The STAGEPAS 300 features a convenient storage compartment in the speaker box for packing the included power cable, speaker cable, Owner's Manual (this booklet), and an optional microphone, as shown above. Remove the rear panel of the speaker and put in the things you need. Carry the STAGEPAS 300 with you, and you've got all you need to set up and perform—anywhere, anytime.