

TURNTABLE

# TT-S303

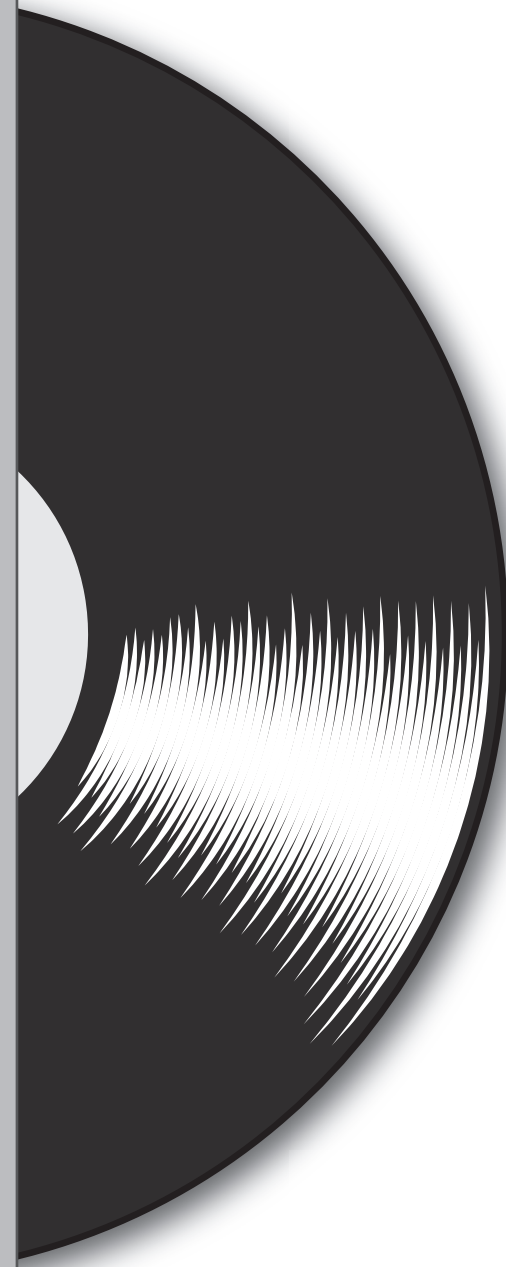
Owner's Manual  
Manual de instrucciones  
Manual do Proprietário



English

Español

Português



This product is designed for use at home to enjoy listening to audio.

# PRECAUTIONS

**PLEASE READ CAREFULLY BEFORE USE. BE SURE TO FOLLOW THESE INSTRUCTIONS.**

**The precautions listed below are to prevent risk of harm to the user and others, as well as to prevent property damage, and to help the user use this unit properly and safely. Be sure to follow these instructions.**

After reading this manual, be sure to keep it in a safe place where it can be referenced at any time.

- Be sure to request inspections or repairs from the dealer where you purchased the unit or from qualified Yamaha service personnel.
- Yamaha cannot be held responsible for injury to you or damage of the products caused by improper use or modifications to the unit.
- This product is for ordinary homes. Do not use for applications requiring high reliability, such as managing lives, health care or high-value assets.



## **WARNING**

**This content indicates “risk of serious injury or death.”**

### **Power supply/AC adaptor**

---

- Do not do anything that could damage the power cord.
  - Do not place it near a heater.
  - Do not bend it excessively or alter it.
  - Do not scratch it.
  - Do not place it under a heavy object.Using the power cord with the core of the cord exposed could cause electric shocks or a fire.
- Do not touch the power plug or cord if there is a chance of lightning. Failure to observe this may cause electric shocks.
- Use this unit with the power supply voltage printed on it. Failure to connect to an appropriate AC outlet may cause a fire, electric shocks, or malfunctions.
- Be sure to use the supplied AC adaptor. Failure to observe the above may cause a fire, burns, or malfunctions.
- Check the electric plug periodically and remove any dirt or dust which may have accumulated on it. Failure to observe this may cause a fire or electric shocks.

- When setting up the unit, make sure that the AC outlet you are using is easily accessible. If some trouble or malfunction occurs, immediately turn off the power switch and disconnect the plug from the AC outlet. Even when the power switch is turned off, as long as the power cord is not unplugged from the wall AC outlet, the unit will not be disconnected from the power source.
- If you hear thunder or suspect approaching lightning, quickly turn off the power switch and pull the power plug from the AC outlet. Failure to observe this may cause a fire or malfunctions.
- If not using the unit for long periods of time, be sure to pull the power plug from the AC outlet. Failure to observe this may cause a fire or malfunctions.

### **Do not disassemble**

---

- Do not disassemble or modify this unit. Failure to observe this may cause a fire, electric shocks, injury, or malfunctions. If you notice any irregularities, be sure to request an inspection or repair from the dealer where you purchased the unit or from qualified Yamaha service personnel.

## Water warning

---

- Do not expose the unit to rain, use it near water or in damp or wet conditions, or place on it any containers (such as vases, bottles or glasses) containing liquids which might spill into any openings or places where water may drop. A liquid such as water getting into the unit may cause a fire, electric shocks, or malfunctions. If any liquid such as water seeps into the device, turn off the power immediately and unplug the power cord from the AC outlet. Then, request an inspection from the dealer where you purchased the unit or from qualified Yamaha service personnel.
- Never insert or remove an electric plug with wet hands. Do not handle this unit with wet hands. Failure to observe this may cause electric shocks or malfunctions.

## Fire warning

---

- Do not place any burning items or open flames near the unit, since they may cause a fire.

## If you notice any abnormality

---

- If any of the following abnormalities occur, immediately turn off the power and disconnect the power plug.
  - The power cord/plug is damaged.
  - An unusual smell or smoke is emitted from the unit.
  - Foreign material gets into the interior of the unit.
  - There is a crack or damage in the unit.

Continued use could cause electric shocks, a fire, or malfunctions. Immediately request an inspection or repair from the dealer where you purchased the unit or from qualified Yamaha service personnel.

- Be careful not to drop or apply strong impact to this unit or the AC adaptor. If you suspect the unit may have been damaged due to dropping or impact, immediately turn off the power and pull the power plug from the AC outlet. Failure to observe this may cause electric shocks, a fire, or malfunctions. Immediately request an inspection from the dealer where you purchased the unit or from qualified Yamaha service personnel.



## **CAUTION**

**This content indicates “risk of injury.”**

## Power supply/AC adaptor

---

- Do not cover or wrap the AC adaptor with a cloth or blanket. Failure to observe this may trap heat, causing deformation in the case or a fire.
- Do not use an AC outlet where the power plug fits loosely when inserted. Failure to observe this may cause a fire, electric shocks, or burns.
- When removing the electric plug from the unit or an AC outlet, always hold the plug itself and not the cord. Pulling by the cord can damage it and cause electric shocks or a fire.
- Insert the power plug firmly all the way into the AC outlet. Using the unit when it is not plugged in sufficiently can cause dust to accumulate on the plug, causing a fire or burns.

## Installation

---

- Do not place the unit in an unstable position where it might accidentally drop or fall over and cause injuries.
- Ensure that the top is facing upwards. Failure to observe this may cause malfunctions or for the unit to fall and cause injury.
- Do not install the unit in places where it may come into contact with corrosive gases or salt air or places that have excessive smoke or steam. Doing so may result in malfunction.
- Avoid being near the unit during a disaster, such as an earthquake. Since the unit may turn over or fall and cause injury, quickly move away from the unit and go to a safe place.
- Before moving this unit, be sure to turn off the power switch and disconnect all connection cables. Failure to observe this may damage the cables or cause you or someone else to trip and fall.

## Hearing loss

---

- Before connecting the unit to other devices, turn off the power for all devices. Failing to do so may result in hearing loss, electric shock, or device damage.
- When turning on the AC power in your audio system, always turn on the amplifier or receiver LAST, to avoid hearing loss and speaker damage. When turning the power off, the amplifier or receiver should be turned off FIRST for the same reason. Failure to observe the above may cause hearing impairment or speaker damage.

## Maintenance

---

- Remove the power plug from the AC outlet before cleaning the unit. Failure to observe this may cause electric shocks.

## Handling caution

---

- Keep small parts out of the reach of infants. Your children may accidentally swallow them.
- Do not do the following:
  - stand on or sit on the equipment.
  - put heavy items on top of the equipment.
  - place the equipment in a stack.
  - apply unreasonable force to buttons, switches, input/output terminals, etc.
  - lean against the equipment.
- Avoid pulling the connected cables to prevent injuries or damage to the unit by causing it to fall.

## Notice

**Indicates points that you must observe in order to prevent product failure, damage, or malfunction.**

## Power supply/AC adaptor

---

- If not using the unit for a long period of time, be sure to pull the power plug from the outlet. A minute current is still flowing even if the power has been turned off (the power is in standby).

## Installation

---

- Do not use this unit in the vicinity of other electronic equipment, such as a TV, radio, or mobile phone. Failure to observe this may cause this unit or the TV or radio to produce noise.
- Do not use this unit in a location that is exposed to direct sunlight that becomes extremely hot, such as near a heater, or extremely cold, or that is subject to excessive dust or vibration. Failure to observe this may cause the unit's panel to become deformed, the internal components to malfunction, or for operation to become unstable.

## Connections

---

- If connecting external units, be sure to thoroughly read the manual for each unit and connect them in accordance with the instructions.  
Failure to properly handle a unit in accordance with the instructions could cause malfunctions.

## Handling

---

- Do not place plastic or rubber products on this unit. Failure to observe this may cause discoloration or deformation in the panel of this unit.
- If the ambient temperature changes drastically (such as during unit transportation or under rapid heating or cooling) and there is a chance condensation may have formed in the unit, leave the unit for several hours without turning on the power until it is completely dry before use. Using the unit while there is condensation can cause malfunctions.

## Maintenance

---

- If the temperature or humidity changes drastically, water droplets (condensation) may form on the unit surface. If water droplets form, immediately wipe them off with a soft cloth. If water droplets are left on the unit, they may be absorbed into the wooden parts, causing deformation.
- When cleaning the unit, use a dry, soft cloth. Using chemicals such as benzine or thinner, cleaning agents, or chemical scrubbing cloths can cause discoloration or deformation.

## Information

### About content in this manual

---

- The illustrations in this manual are for instructional purposes only.
- The company names and product names in this manual are the trademarks or registered trademarks of their respective companies.

### ■ About the name plate of the unit

The model number, serial number, power requirements, etc., may be found on or near the name plate, which is at the bottom of the unit. You should note this serial number in the space provided below and retain this manual as a permanent record of your purchase to aid identification in the event of theft.

**Model No.**

---

**Serial No.**

---



# Contents

## **Before you start** **6**

---

Features of this unit . . . . .	6
About this manual . . . . .	6
Check the supplied accessories . . . . .	7
Handling records . . . . .	7
<b>Parts and their functions</b> . . . . .	<b>8</b>
Top panel . . . . .	8
Back panel . . . . .	9

## **Getting ready** **10**

---

<b>Location</b> . . . . .	<b>10</b>
<b>Assembly</b> . . . . .	<b>10</b>
Assembling the unit . . . . .	10
Attaching the dust cover . . . . .	12
<b>Making connections</b> . . . . .	<b>13</b>
<b>Making adjustments</b> . . . . .	<b>14</b>
Adjusting the stylus pressure . . . . .	14
Adjusting the anti-skating . . . . .	16
<b>Turning the power on</b> . . . . .	<b>16</b>

## **Playback** **17**

---

## **When necessary** **20**

---

<b>Care</b> . . . . .	<b>20</b>
<b>Replacement</b> . . . . .	<b>20</b>
Replacing the belt . . . . .	20
Replacing the record stylus . . . . .	21
<b>Moving this unit</b> . . . . .	<b>21</b>
<b>Troubleshooting</b> . . . . .	<b>22</b>
<b>Specifications</b> . . . . .	<b>24</b>



# Before you start

## Features of this unit

---





This is a turntable for playing analog records.

- **Wooden cabinet with a gloss finish**  
Provides both beauty and practical advantages such as high rigidity and vibrational damping
- **Highly rigid straight tone arm** virtually eliminates any effect on the delicate musical signal
- **Easy switching between LINE output** equipped with a high-quality PHONO EQ circuit and PHONO direct output, giving you flexibility when setting up your record playback system
- **High rotational stability** is achieved by using an aluminum die cast platter belt-driven by a high-torque DC motor
- **Feedback margin** is maintained by insulators (feet) that feature excellent absorption of vibration and shock

## About this manual

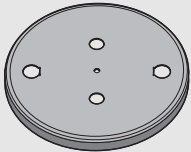
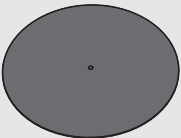
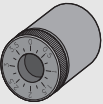
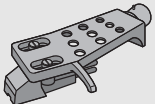
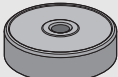
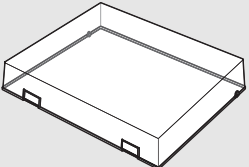
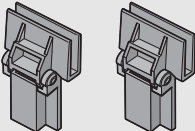
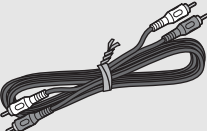
---

When reading this manual, please note the following.

- ◆ Specifications and appearance are subject to change without notice in order to improve the product.
- ◆ Explanation of graphic symbols used in this manual:
  - “ **WARNING**” indicates points that you must observe to avoid risk of death or serious injury.
  - “ **CAUTION**” indicates points that you must observe to avoid risk of injury.
  -  **NOTICE** indicates points that you must observe to avoid damaging the product or causing it to malfunction.
  -  **NOTE** indicates supplementary information that you will find useful.

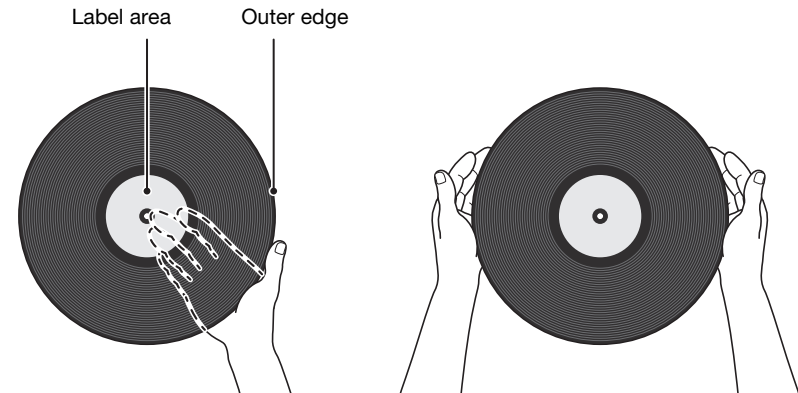
# Check the supplied accessories

Make sure that all items are present.

<input type="checkbox"/> <b>Platter ×1</b> 	<input type="checkbox"/> <b>Platter sheet ×1</b> 	<input type="checkbox"/> <b>Belt ×1</b> * The belt is installed on the platter.
<input type="checkbox"/> <b>Counter weight ×1</b> 	<input type="checkbox"/> <b>Head shell ×1 (with cartridge)</b> 	<input type="checkbox"/> <b>45 rpm adaptor ×1</b> 
<input type="checkbox"/> <b>Dust cover ×1</b> 	<input type="checkbox"/> <b>Dust cover hinge ×2</b> 	<input type="checkbox"/> <b>RCA stereo cable ×1</b> 
<input type="checkbox"/> <b>AC adaptor ×1</b> * For details, refer to the included "Supplement" (leaflet).		<input type="checkbox"/> <b>Owner's Manual (this manual)</b> <input type="checkbox"/> <b>Supplement (leaflet)</b>

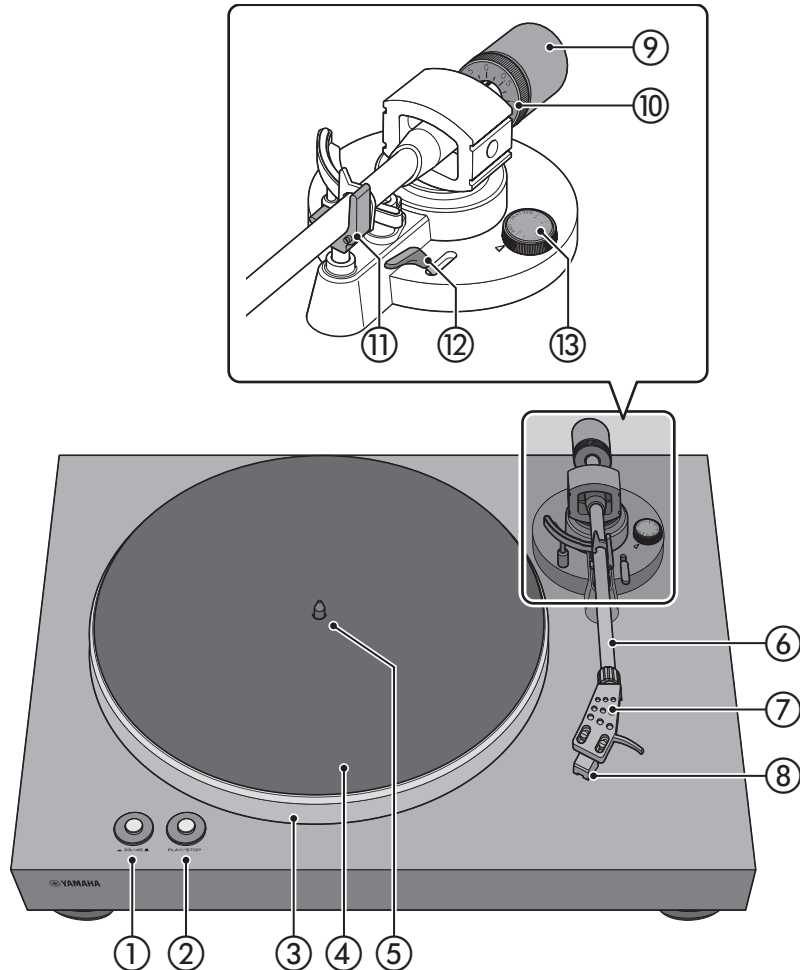
# Handling records

When you hold a record, you should either support the record's label area and its outer edge, or hold the record's outer edges between your two hands.



# Parts and their functions

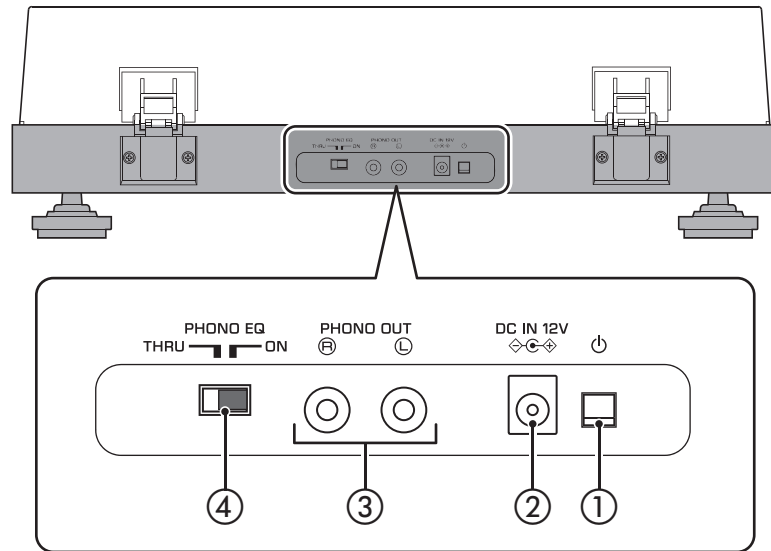
## Top panel



- ① 33/45 (speed) (⇒ page 17)
- ② PLAY/STOP (play/stop) (⇒ page 17)
- ③ Platter (⇒ page 10)
- ④ Platter sheet (⇒ page 11)
- ⑤ Center spindle (⇒ page 10)
- ⑥ Tone arm (⇒ page 11)
- ⑦ Head shell (⇒ page 11)
- ⑧ Cartridge
- ⑨ Counter weight (⇒ page 11)
- ⑩ Counter ring (⇒ page 15)
- ⑪ Arm rest (⇒ page 14)
- ⑫ Lift lever (⇒ page 18)
- ⑬ Anti-skating (⇒ page 16)



## Back panel



### ① **Power**

This turns the unit's power on/off. (⇒ page 16)

 : on

 : off

### ② **DC IN jack**

Connect the AC adaptor (supplied) to this jack. (⇒ page 13)

### ③ **PHONO OUT jacks**

These jacks output the playback audio of the record. (⇒ page 13)

### ④ **PHONO EQ (phono equalizer) switch**

As appropriate for the device that is connected, set this to switch the signal that is output from the PHONO OUT jacks. (⇒ page 13)

# Getting ready

## Location

Because record playback is easily affected by vibration, you should place the unit in a level location that is not subject to external vibration. Place it sufficiently far from your speaker system so that it will not be affected by sound pressure or vibration.

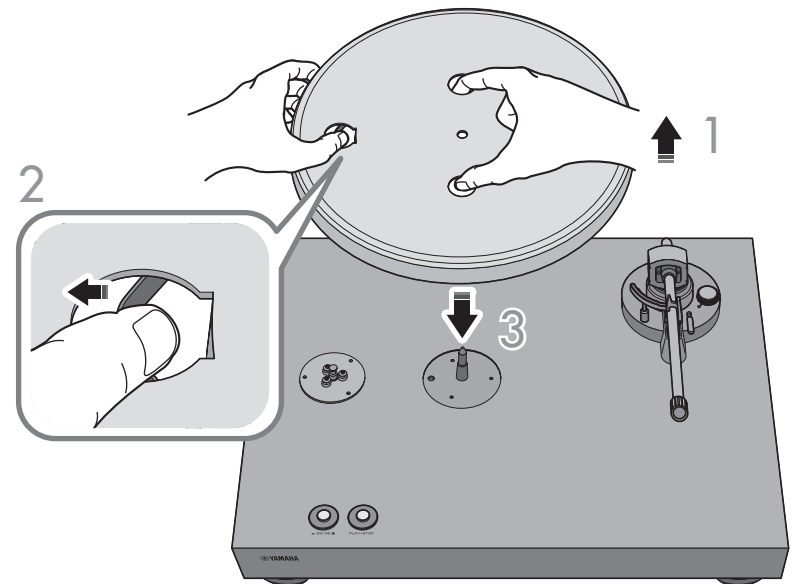
## Assembly

### Assembling the unit

- 1 Lift up the platter.
- 2 Reaching through the round hole in the platter, pull the belt outward, hooking it over your finger.
- 3 Insert the platter onto the center spindle.

#### CAUTION

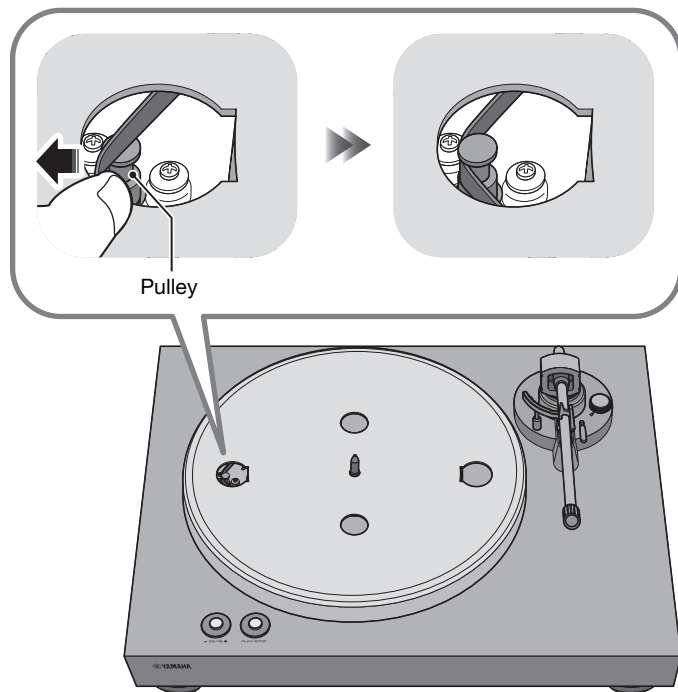
- ◆ Take care not to drop the platter. Dropping it might cause injury, or might damage the unit.



**4** Align the round hole of the platter with the pulley.

**5** Use your finger to hook the belt onto the pulley.

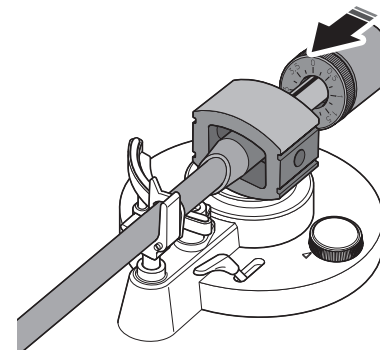
Take care that the belt is not twisted. After hooking the belt onto the pulley, rotate the platter several times to ensure that the belt is smoothly in place.



**6** Place the platter sheet on the platter.

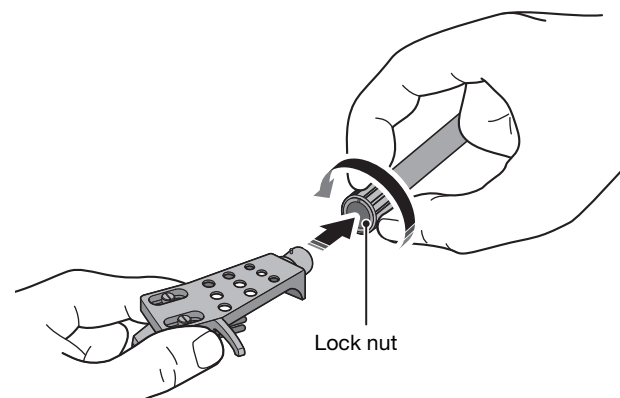
**7** Attach the counter weight to the tone arm.

With the markings on the counter weight facing you, slide it onto the back end of the tone arm.



**8** Attach the head shell to the tone arm.

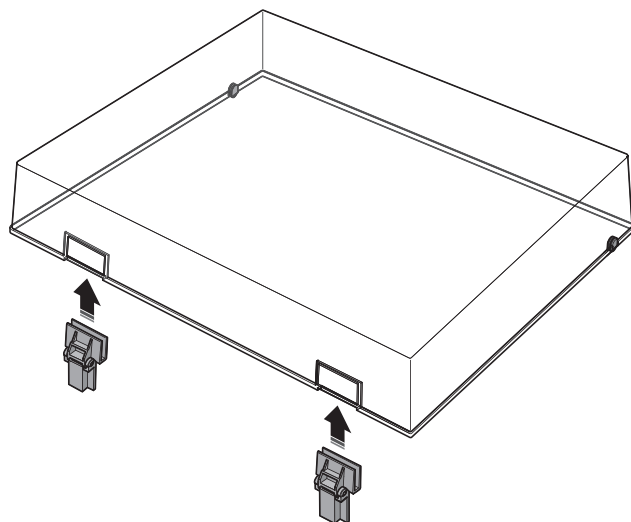
Insert the head shell into the front end of the tone arm, and turn the lock nut to secure it.



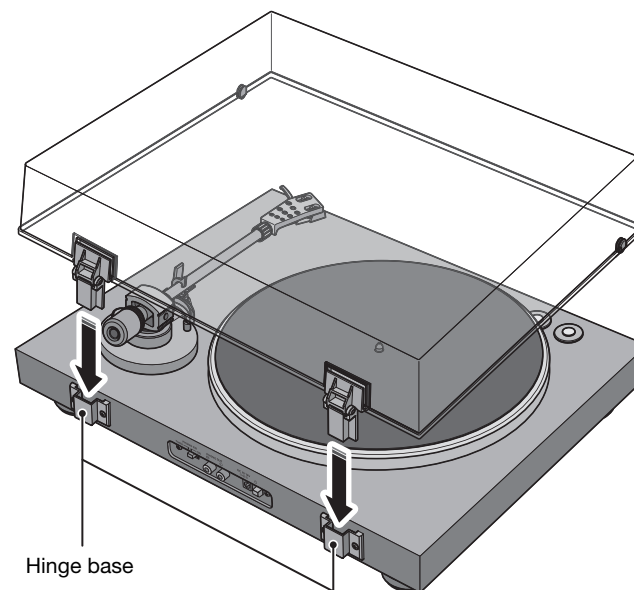
## Attaching the dust cover

The dust cover protects this unit from dust etc.

- 1 Insert the hinges into the appropriate locations at two sides of the dust cover.



- 2 Attach the dust cover by inserting the hinges into the hinge bases located on the back panel of the unit.



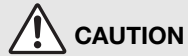
### NOTE

- ◆ To remove the dust cover, grasp the two sides of the dust cover and slowly lift upward to remove the cover together with its hinges.

### CAUTION

- ◆ Take care not to pinch your hands or fingers when opening or closing the dust cover

# Making connections



## CAUTION

- ◆ Finish making all other connections before you connect the AC adaptor (supplied) to an AC outlet.

## NOTE

- ◆ Also refer to the owner's manuals of the device that you are connecting.

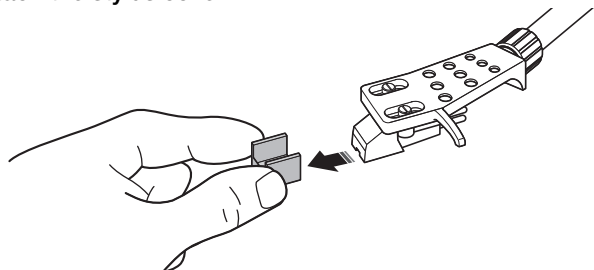
Connected devices	<ul style="list-style-type: none"> <li>• Devices not equipped with PHONO input jacks</li> </ul> <p>This unit (back panel)</p> <p>RCA stereo cable (supplied)</p> <p>AC adaptor (supplied)</p> <p>Connect to AC outlet</p> <p>Pre-main amplifier or component (external input jacks)</p>	<ul style="list-style-type: none"> <li>• Devices equipped with PHONO input jacks</li> </ul> <p>This unit (back panel)</p> <p>RCA stereo cable (supplied)</p> <p>AC adaptor (supplied)</p> <p>Connect to AC outlet</p> <p>Pre-main amplifier (PHONO input jacks)</p>
	PHONO EQ switch setting	ON (default)
This unit's equalizer function	<p><b>Enabled</b></p> <p>The signal from the cartridge is amplified by the phono equalizer that is built into this unit, and is output from the PHONO OUT jacks.</p>	<p><b>Disabled</b></p> <p>The signal from the cartridge is output directly from the PHONO OUT jacks.</p>

# Making adjustments

## Adjusting the stylus pressure

Adjust the tone arm so that the appropriate stylus pressure is applied to the record.

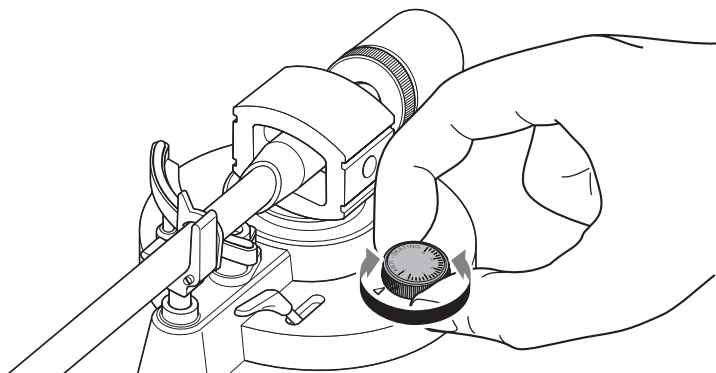
- 1 Detach the stylus cover.



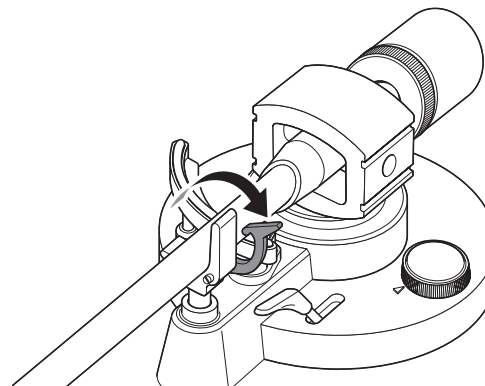
### NOTICE

- ◆ Take care that the stylus cover or your finger do not contact the stylus.

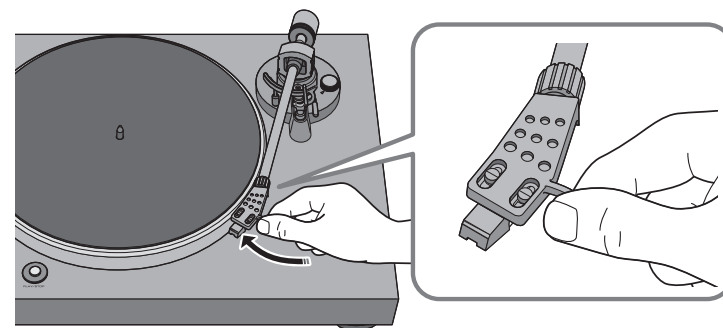
- 2 Set the anti-skating adjustment to the "0" position.



- 3 Release the tone arm lock.



- 4 Move the tone arm off of the arm rest and slightly to the left.



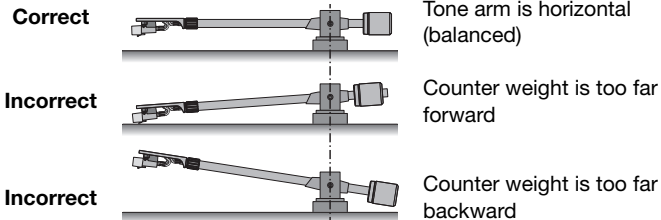
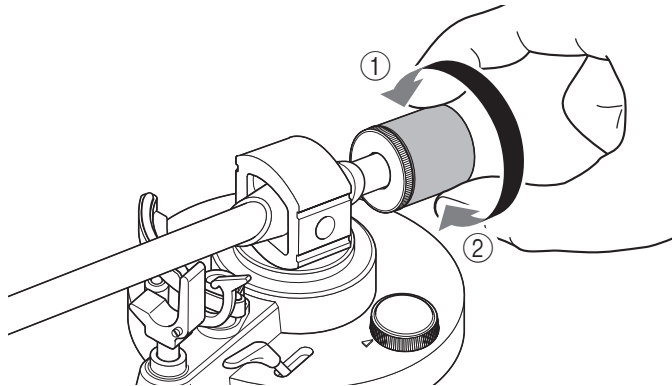
### NOTICE

- ◆ Take care that the needle does not contact any part of the unit.

## 5 Turn the counter weight so that the tone arm is horizontal.

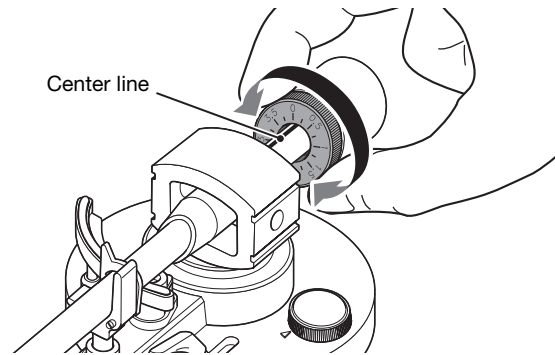
Toward ①: Counter weight moves forward on the tone arm.

Toward ②: Counter weight moves backward on the tone arm.



## 6 Return the tone arm to the arm rest, and lock it in place.

## 7 Turn the counter ring so that the "0" marking is aligned with the center line on the back end of the tone arm.

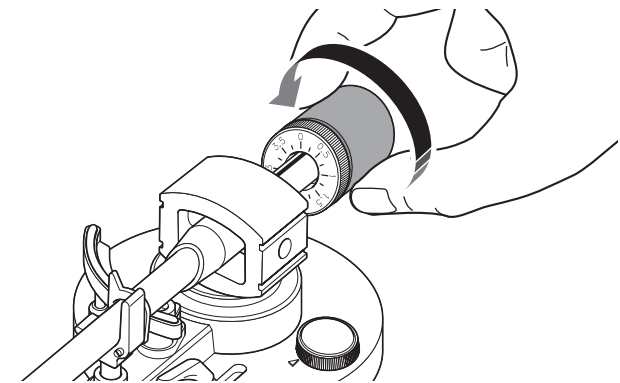


### NOTE

- ◆ When turning the counter ring, use your fingers to press the counter weight so that it does not rotate.

## 8 By turning the counter weight, set the counter weight markings to the stylus pressure specified for the cartridge.

The specified stylus pressure for the supplied cartridge is 3.5 g.



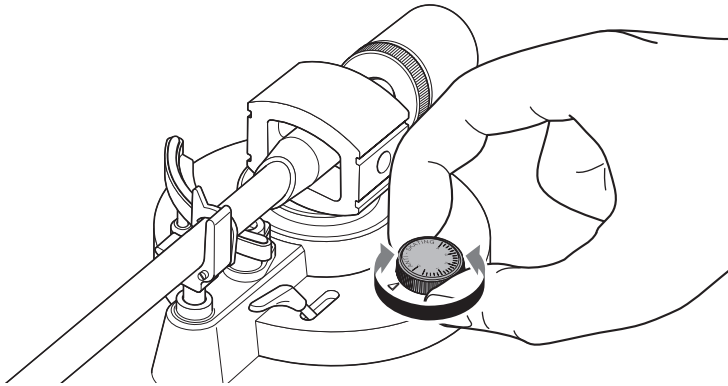
### NOTE

- ◆ Turning the counter weight also turns the counter ring.


## Adjusting the anti-skating

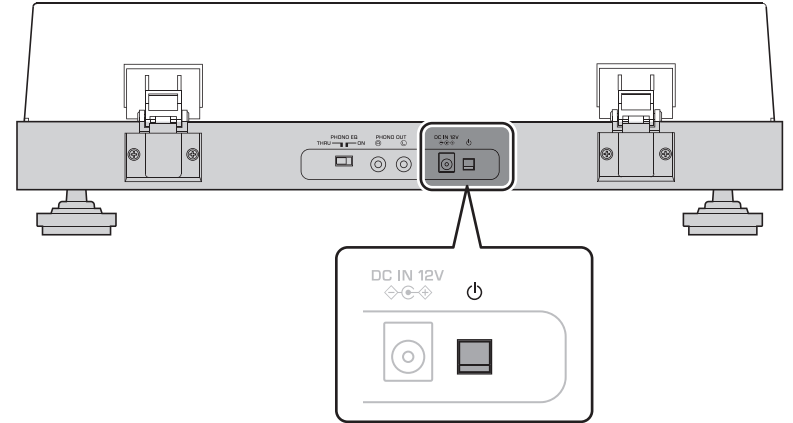
As the platter rotates, the tip of the stylus generates a force that pulls it toward the center of rotation. If the anti-skating value is set to the same value as the stylus pressure, a force is generated that pulls the tip of the stylus outward away from the center of rotation, and the two forces cancel each other.

- 1 Turn the anti-skating adjustment to the same value as the stylus pressure of the cartridge.



## Turning the power on

On the back panel of the unit, press  (power) to turn on the power of the unit.





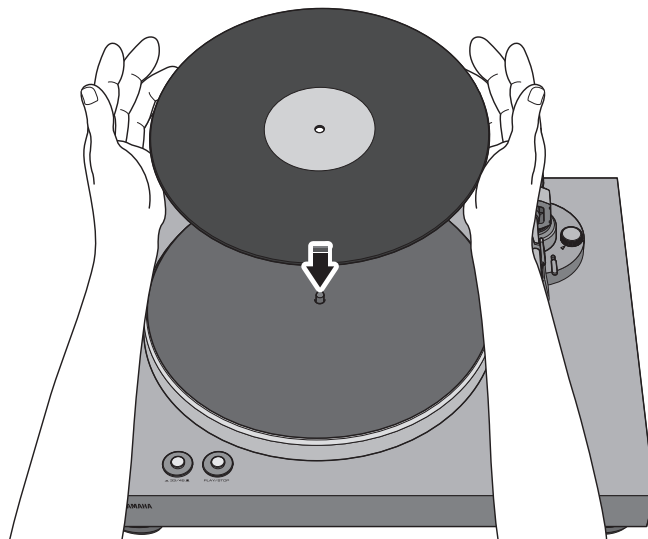
# Playback

## ■ Starting playback



### ⚠ CAUTION

- ◆ If you play back a record without sufficiently lowering the volume of your amplifier, a loud sound might occur when the tip of the stylus contacts the record. This can cause hearing loss and might damage your amplifier and speaker, so be sure to lower the volume of your amplifier.

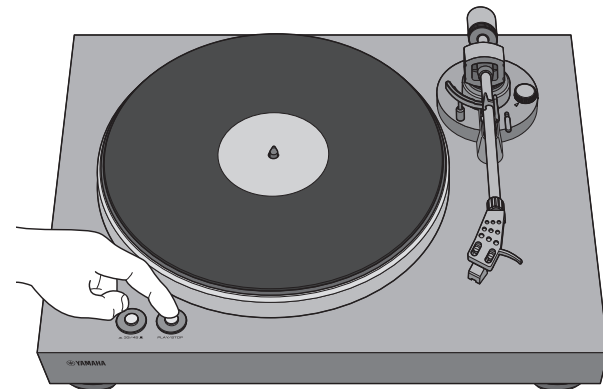
- 1 Open the dust cover, and place the record on the platter.  
If you're playing a 45 rpm record, use the supplied 45 rpm adaptor.



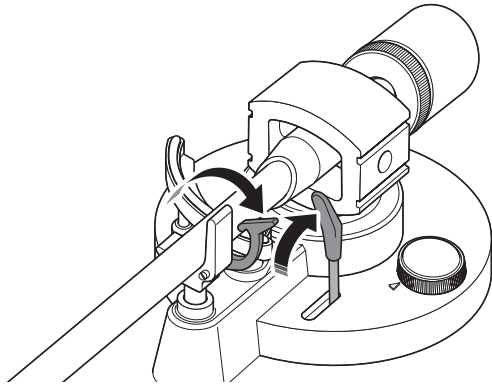
- 2 Press 33/45 (speed) to select the appropriate speed for the record.

 : 33 1/3 rpm       : 45 rpm

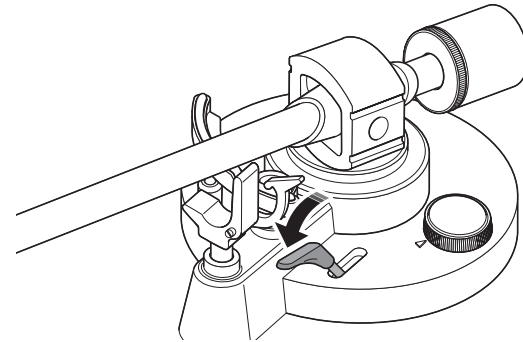
- 3 Press PLAY/STOP (play/stop).  
The platter rotates.



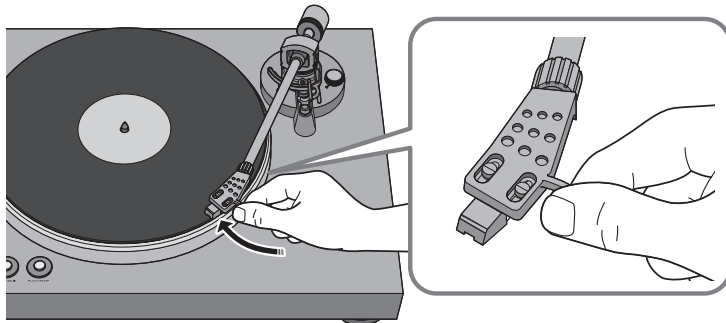
- 4** Release the tone arm lock, and raise the lift lever.



- 6** Lower the lift lever.  
The tone arm is lowered, and playback starts.



- 5** Move the tone arm to the playback position of the record.



## ■ Pausing playback

If you raise the lift lever, the tone arm rises and playback pauses.

When you lower the lift lever, playback resumes.

## ■ Stopping playback

- 1 Raise the lift lever.
- 2 Return the tone arm to the arm rest.
- 3 Lower the lift lever.
- 4 Press **PLAY/STOP** (play/stop).  
The platter stops rotating.
- 5 Lock the tone arm.

### NOTE

- ◆ The tone arm does not automatically rise when the record finishes playing.
- ◆ If you will not be using the unit for a time, attach the cover to the stylus to protect it.

# When necessary

## Care

---

### ■ Caring for this unit

Wipe it with a soft dry cloth. Do not use chemicals such as benzine or thinner, since they might damage the surface.

### ■ Caring for the record stylus

The tip of the record stylus is extremely delicate. Handle it with care so that it is not damaged. If dust should adhere to the tip of the stylus, use a soft pointed brush to wipe it off starting at the base of the stylus and moving toward the tip, or use a commercially available cleaner made for that purpose.

### ■ Caring for records

Dirt adhering to a record can cause skips or noise. Use a commercially available record cleaner to remove dirt.

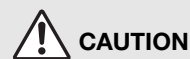
## Replacement

---

### Replacing the belt

Depending on the conditions of use, the belt can wear out or break. If this occurs, replace the belt. For a replacement belt, contact your nearest authorized Yamaha dealer or service center.

- 1 Turn off the power of this unit and of the connected devices, and disconnect this unit's AC adaptor from the AC outlet.
- 2 Remove the platter sheet from the platter.
- 3 Detach the belt from the pulley.
- 4 Insert your fingers into the round holes of the platter, and lift up the platter.



#### CAUTION

- ◆ Take care not to drop the platter. Dropping it might cause injury, or might damage the unit.

- 5 Turn the platter over, and remove the belt.
- 6 Install the replacement belt on the platter.  
Take care that the belt is not twisted.
- 7 Install the platter on this unit.

For details on installation, refer to "Assembly" on page 10.

## Replacing the record stylus

When the tip of the record stylus becomes worn down or damaged, replace it immediately.

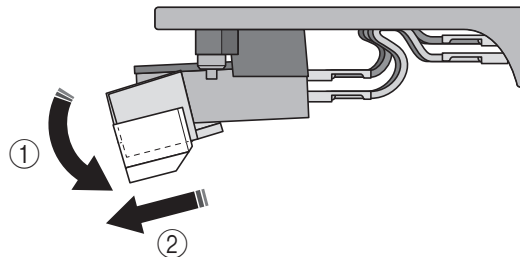
As the replacement stylus, please purchase an ATN3600L replacement stylus made by Audio-Technica.

### ⚠ CAUTION

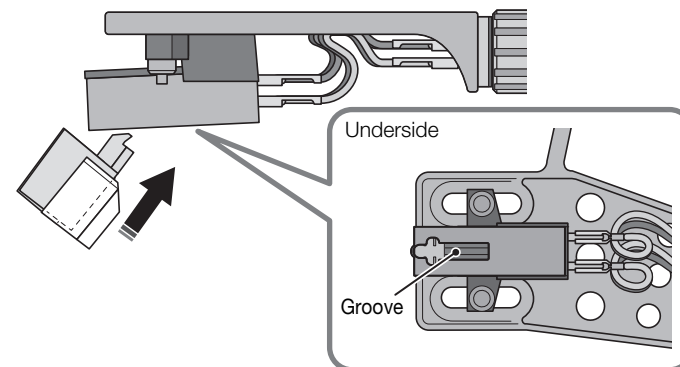
- ◆ Attach the stylus cover before replacing the stylus. The tip of the stylus might injure you, or it might become damaged.
- ◆ Take care that children do not swallow the stylus when it is removed.

1 Turn off the power of this unit and of the connected devices, and disconnect this unit's AC adaptor from the AC outlet.

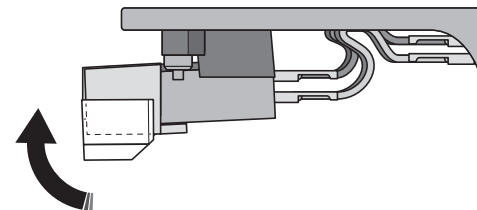
2 While using your fingers to hold the body of the cartridge, press the stylus down in the direction of ①, and pull it in the direction of ② to remove it.



3 While using your fingers to hold the body of the cartridge, insert the tab of the replacement stylus into the groove on the underside of the cartridge.



4 Press the stylus upward until you hear a click.



## Moving this unit

When moving this unit, lock the tone arm so that it does not move.

# Troubleshooting

If the unit stops operating correctly, check the following points.

If taking the appropriate action does not solve the problem, or if there is a problem not listed below, press the ⏻ (power) button located on the unit's back panel to turn off the power, disconnect the power cord, and contact your nearest authorized Yamaha dealer or service center.

Problem	Cause	Action	Reference page
<b>Pressing ⏻ (power) does not turn on the power.</b>	The AC adaptor has come unplugged from this unit's DC IN jack or from the AC outlet, or is not firmly plugged in.	Firmly plug the AC adaptor into this unit's DC IN jack and into an AC outlet.	13
<b>The platter does not rotate.</b>	The belt is not correctly positioned on the platter and pulley, or the belt has come off.	Attach the belt correctly to the platter and the pulley.	10
	⏻(power) is not on.	Turn ⏻(power) on.	16
<b>No sound.</b>	The head shell is not correctly attached to the tone arm.	Attach the head shell correctly to the tone arm.	11
	The RCA stereo cable is not connected correctly.	Connect the RCA stereo cable correctly.	13
	The mute setting of the amplifier is on.	Turn off the mute setting of the amplifier.	–
<b>Volume is too weak or too loud.</b>	The cartridge setting of the amplifier or phono equalizer is incorrect.	Set the cartridge setting of the amplifier or phono equalizer correctly for the type of cartridge that you're using (MM or MC).	–
	The PHONO EQ switch is set incorrectly.	Set the PHONO EQ switch correctly for the device that is connected.	13
<b>Something is wrong with the left/right balance of the sound.</b>	The turntable is tilted.	Place the turntable on a level location.	–
<b>Playback speed is wrong.</b>	The speed setting is incorrect.	Set the 33/45 (speed) setting correctly. This unit does not support playback of SP records (78 rpm).	17
<b>Hum is audible.</b>	The RCA stereo cable is not connected correctly.	Connect the RCA stereo cable correctly.	13
	The head shell is not firmly secured to the tone arm.	Use the lock nut to firmly secure the head shell to the tone arm.	11

Problem	Cause	Action	Reference page
<b>Skips occur.</b> <b>Noise occurs.</b> <b>The sound is distorted.</b>	The stylus pressure is not adjusted correctly.	Set the counter weight markings to the stylus pressure specified for the cartridge.	14
	The record is scratched or warped.	Do not use scratched or warped records.	-
	The record is dirty.	Use a commercially available record cleaner to clean the record.	-
	The record is statically charged.	Use an anti-static brush to remove the static charge.	-
	The stylus is dirty.	Remove the dirt from the stylus.	20
	The stylus is worn down.	Replace the stylus.	21
<b>Feedback occurs.</b>	The unit is placed in a location that is subject to vibration.	Place the unit in a level location that is not subject to vibration.	-
	The unit is too close to the speakers.	Locate the unit farther away from the speakers.	-
	The playback volume is too high.	Adjust the volume of the amplifier.	-

# Specifications

---

The specifications of this unit are as follows.

## Platter section

Drive method . . . . .	Belt drive
Motor . . . . .	DC motor
Rotation Speed . . . . .	33 1/3 rpm, 45 rpm
Rotation Speed Variation . . . . .	±2%
Wow and flutter . . . . .	.0.2%
Platter . . . . .	Aluminium die-casting Diameter 30 cm

## Tone arm section

Type . . . . .	Static balance straight tone arm
Effective arm length . . . . .	.223.5 mm
Stylus pressure adjustment range . . . . .	0–4 g
Acceptable cartridge weight . . . . .	15.5–19 g (including head shell)
Overhang . . . . .	19 mm

## Cartridge section

Type . . . . .	MM type
Output voltage . . . . .	2.5 mV (1 kHz, 3.54 cm/sec)
Stylus pressure . . . . .	.3.5 ±0.5 g
Cartridge weight . . . . .	.5.0 ±0.3 g
Cartridge Height . . . . .	.17.0 ±0.7 mm
Head shell weight . . . . .	10 g (including screws, nuts, and wires)

## Audio section

Output level	
PHONO EQ THRU (1 kHz, 3.54 cm/sec) . . . . .	2.5 mV ±3 dBV
PHONO EQ ON . . . . .	140 mV (–17 dBV)
Signal to Noise Ratio (A-weighted, 20 kHz LPF) . . . . .	67 dB or higher
Output jack . . . . .	PHONO OUT × 1 (RCA unbalanced)

## General

AC adaptor power supply	
Input . . . . .	AC 100–240 V 50/60 Hz
Output . . . . .	12 V 0.5 A
Power consumption	
While powered on . . . . .	.1.5 W
While powered off . . . . .	.0.1 W
Weight . . . . .	.4.8 kg / 10.6 lbs
Dimensions (width × height × depth) . . . . .	.450 × 136 × 368 mm
. . . . .	.17-3/4" × 5-3/8" × 14-1/2"
(including legs and protrusions)	

- ◆ The contents of this manual apply to the latest specifications as of the publishing date. To obtain the latest manual, access the Yamaha website then download the manual file.



Este producto es de uso doméstico y está diseñado para disfrutar escuchando audio en casa.

# PRECAUCIONES

**ANTES DE USAR EL PRODUCTO, ASEGÚRESE ES IMPORTANTE SEGUIR ESTAS INSTRUCCIONES.**

**La finalidad de las precauciones siguientes es evitar lesiones al usuario y otras personas y daños materiales. Además, ayudarán al usuario a utilizar esta unidad de forma correcta y segura. Es importante seguir estas instrucciones.**

Después de leer este manual, es importante guardarlo en un lugar seguro donde pueda consultarlo en cualquier momento.

- Asegúrese de solicitar las inspecciones o reparaciones al distribuidor a quien compró la unidad o al Servicio técnico de Yamaha.
- Yamaha no se hace responsable de sus lesiones o los daños a sus productos debidos a uso inapropiado o modificaciones de la unidad.
- Este producto es para hogares corrientes. No lo utilice para aplicaciones que requieran un alto nivel de fiabilidad, tales como la gestión de vidas humanas, atención sanitaria o activos de valor elevado.



## **ADVERTENCIA**

**Este contenido está relacionado con “riesgo de lesiones graves o muerte”**

### **Alimentación/adaptador de CA**

- No realice ninguna acción que pueda dañar el cable de alimentación.
  - No lo coloque cerca de una estufa.
  - No lo doble excesivamente ni lo modifique.
  - No lo raye.
  - No lo coloque bajo ningún objeto pesado.Usar el cable de alimentación con el cable pelado puede provocar una descarga eléctrica o un incendio.
- No toque el enchufe ni el cable de alimentación durante una tormenta eléctrica. De no seguirse estas instrucciones, existe riesgo de descargas eléctricas.
- Use esta unidad con la tensión de alimentación que está impresa en ella. Si no se conecta a una toma de corriente de CA apropiada, existe riesgo de incendio, descargas eléctricas o averías.
- Asegúrese de utilizar el adaptador de CA suministrado. De no seguirse estas instrucciones, existe riesgo de incendio, quemaduras o averías.

- Compruebe periódicamente el enchufe y quite la suciedad o el polvo que pudiera haberse acumulado en él. De no seguirse estas instrucciones, existe riesgo de incendio o descargas eléctricas.
- Cuando instale la unidad, asegúrese de que se puede acceder fácilmente a la toma de CA que utilice. Si se produjera algún problema o funcionamiento defectuoso, apague el interruptor de alimentación y desconecte el enchufe de la toma de CA. Incluso cuando el interruptor de alimentación esté apagado, si el cable de alimentación no está desenchufado de la toma de CA de la pared, la unidad no se desconectará de la alimentación.
- Si escucha algún trueno o sospecha que se aproxima una tormenta eléctrica, apague inmediatamente el interruptor de alimentación y desconecte el enchufe de alimentación de la toma de corriente de CA. De no seguirse estas instrucciones, existe riesgo de incendio o averías.
- Si no va a utilizar la unidad durante un período prolongado, asegúrese de desconectar el enchufe de alimentación de la toma de corriente de CA. De no seguirse estas instrucciones, existe riesgo de incendio o averías.

## No desmonte la unidad

---

- No desmonte ni modifique nunca esta unidad. De no seguirse estas instrucciones, existe riesgo de incendio, descargas eléctricas, lesiones o averías. Si observa cualquier irregularidad, asegúrese de solicitar una inspección o reparación al distribuidor a quien compró la unidad o al Servicio técnico de Yamaha.

## Advertencia sobre el agua

---

- No exponga la unidad a la lluvia, ni la use cerca del agua o en lugares donde haya mucha humedad o donde pueda gotear agua, ni le ponga encima recipientes (como jarrones, botellas o vasos) que contengan líquido, ya que puede derramarse y penetrar en el interior del aparato. Si cualquier líquido, como el agua, penetra en la unidad, existe riesgo de incendio, descargas eléctricas o averías. Si entra en el dispositivo cualquier líquido, por ejemplo agua, apague inmediatamente la alimentación y desenchufe el cable de alimentación de la toma de CA. A continuación, solicite una inspección al distribuidor a quien compró la unidad o al Servicio técnico de Yamaha.
- Nunca enchufe o desenchufe un cable eléctrico con las manos mojadas. No manipule esta unidad con las manos húmedas. De no seguirse estas instrucciones, existe riesgo de descargas eléctricas o averías.

## Advertencia sobre el contacto con fuego

---

- No coloque objetos ardientes ni llamas abiertas cerca de la unidad, ya que existe riesgo de incendio.

## Si observa cualquier anomalía

---

- Si surge cualquiera de las anomalías siguientes, apague inmediatamente la alimentación y desconecte el enchufe de alimentación.
  - El cable/enchufe de alimentación está deteriorado.
  - La unidad emite humo u olores no habituales.
  - Algún material extraño ha caído en el interior de la unidad.
  - La unidad presenta alguna grieta u otro signo de deterioro.

Si continúa usando la unidad, existe riesgo de descarga eléctrica, incendio o avería. Solicite inmediatamente una inspección o reparación al distribuidor a quien compró la unidad o al Servicio técnico de Yamaha.

- Asegúrese de que la unidad o el adaptador de CA no se le caigan y no los someta a ningún impacto fuerte. Si sospecha que la unidad podría estar deteriorada como consecuencia de una caída o un golpe, apague inmediatamente la alimentación y extraiga el enchufe de alimentación de la toma de corriente de CA. De no seguirse estas instrucciones, existe riesgo de descargas eléctricas, incendio o averías. Solicite inmediatamente una inspección al distribuidor a quien compró la unidad o al Servicio técnico de Yamaha.



## **ATENCIÓN**

**Este contenido está relacionado con “riesgo de lesiones”:**

## Alimentación/adaptador de CA

---

- No cubra ni envuelva el adaptador de CA con una tela o manta. De no seguirse estas instrucciones, el calor quedaría atrapado, lo que provocaría deformación en caso de un incendio.
- No utilice una toma de corriente de CA que presente holgura al insertar el enchufe de alimentación. De no seguirse estas instrucciones, existe riesgo de incendio, descargas eléctricas o quemaduras.
- Al retirar el enchufe de la unidad o de una toma de CA, tire siempre del enchufe y no del cable. Tirar del cable puede deteriorarlo, con el consiguiente riesgo de descargas eléctricas o incendio.
- Inserte el enchufe de alimentación firmemente hasta el fondo en la toma de corriente de CA. Usar la unidad sin estar debidamente enchufada puede provocar acumulación de polvo en las patillas, con el consiguiente riesgo de incendio o quemaduras.

## Instalación

---

- No coloque la unidad sobre superficies inestables, donde pueda caerse o volcarse por accidente y provocar lesiones.
- Asegúrese de que la parte superior está orientada hacia arriba. De lo contrario, se pueden producir averías o la unidad podría caerse y provocar lesiones.

- No instale la unidad en un lugar donde pueda entrar en contacto con gases corrosivos o aire salobre, o bien en lugares donde haya un exceso de humo o vapor. Si ocurriera, podría dar lugar a un funcionamiento defectuoso.
- Procure no estar cerca de la unidad si se produce algún desastre natural como, por ejemplo, un terremoto. Dado que la unidad podría volcar o caerse y causar lesiones, aléjese de ella rápidamente y vaya a un lugar seguro.
- Antes de mover esta unidad, asegúrese de desconectar el interruptor de alimentación y todos los cables de conexión. De no seguirse estas instrucciones, existe riesgo de deterioro de los cables o de que usted u otra persona tropiecen con ellos y se caigan.

## Pérdida auditiva

---

- Antes de conectar la unidad a otros dispositivos, desconecte la alimentación de todos ellos. De no seguirse estas instrucciones, existe riesgo de pérdida de audición, descarga eléctrica o daños en el dispositivo.
- Cuando encienda la alimentación de CA del sistema de sonido, encienda siempre el amplificador o receptor EN ÚLTIMO LUGAR para evitar sufrir pérdida de audición y no provocar daños en los altavoces. Por el mismo motivo, cuando desconecte la alimentación, apague PRIMERO el amplificador o receptor. De no seguirse estas instrucciones, existe riesgo de pérdida auditiva o daños en los altavoces.

## Mantenimiento

---

- Desconecte el enchufe de alimentación de la toma de CA antes de limpiar la unidad. De no seguirse estas instrucciones, existe riesgo de descargas eléctricas.

## Precauciones de uso

---

- Mantenga las partes pequeñas fuera del alcance de los niños. Estos podrían ingerirlas por accidente.
- No haga lo siguiente:
  - Subirse encima del equipo o sentarse en él.
  - Poner objetos pesados encima del equipo.
  - Apilar el equipo.
  - Aplicar fuerza más allá de lo razonable a los botones, interruptores, terminales de entrada/salida, etc.
  - Apoyarse sobre el equipo.
- No tire de los cables conectados para evitar lesiones o daños en la unidad debidos a caídas.

## Aviso

**Indica puntos que debe observar para evitar averías, daños o mal funcionamiento del producto.**

## Alimentación/adaptador de CA

---

- Si no va a utilizar la unidad durante un período prolongado, asegúrese de desconectar el enchufe de alimentación de la toma de corriente. Una mínima corriente aún seguirá fluyendo aunque la alimentación se haya desconectado (la alimentación está en modo de espera).

## Instalación

---

- No utilice esta unidad en las proximidades de equipos electrónicos, tales como TV, radios o teléfonos móviles. De no seguirse estas instrucciones, la unidad, el televisor o la radio podrían emitir ruidos de interferencias.
- No use esta unidad en una ubicación que esté expuesta a la luz solar directa, que alcance temperaturas demasiado altas (por ejemplo, al lado de una estufa) o bajas ni que esté sometida a cantidades excesivas de polvo o vibraciones. De no seguirse estas instrucciones, existe riesgo de que el panel de la unidad se deforme, de que sus componentes internos se averíen o de que el funcionamiento sea inestable.

## Conexiones

---

- Si va a conectar unidades externas, asegúrese de leer detenidamente el manual de cada una de ellas y de conectarlas de acuerdo con las instrucciones.

Manipular la unidad sin atenerse a las instrucciones puede provocar averías.

## Manipulación

---

- No coloque productos de plástico o caucho sobre esta unidad. De no seguirse estas instrucciones, el panel de la unidad podría decolorarse o deformarse.
- Si la temperatura ambiente cambia drásticamente (por ejemplo, durante el transporte o al aplicar rápidamente la calefacción o el aire acondicionado) y existe la posibilidad de que se haya formado condensación en el interior de la unidad, déjela varias horas sin encenderla hasta que esté totalmente seca antes de usarla. Usar la unidad mientras contiene condensación puede producir averías.

## Mantenimiento

---

- Si la temperatura o la humedad cambian drásticamente, es posible que se formen gotas de agua (condensación) en la superficie de la unidad. Si se forman gotas de agua, límpielas de inmediato con un paño suave. Si se dejan gotas de agua sobre la unidad, es posible que las partes de madera las absorban, lo que provocará deformación.
- Para limpiar la unidad, utilice un paño suave y seco. No use productos químicos como bencina, disolventes, detergentes o bayetas impregnadas de productos químicos, pues podrían provocar decoloraciones o deformaciones.

## Información

### Acerca del contenido de este manual

---

- Las figuras de este manual solo tienen propósitos ilustrativos.
- Los nombres de empresas y productos utilizados en este manual son marcas comerciales o marcas comerciales registradas de sus respectivos titulares.

### ■ Acerca de la placa del nombre de la unidad

El número de modelo, el número de serie, los requisitos de alimentación, etc. pueden encontrarse en la placa de identificación o cerca de ella. Esta placa se encuentra en la parte inferior de la unidad. Debe anotar dicho número en el espacio proporcionado a continuación y conservar este manual como comprobante permanente de su compra para facilitar la identificación en caso de robo.

**Nº de modelo**

---

**Nº de serie**

---

(bottom\_es\_01)



# Contenido

## **Antes de empezar 6**

---

Funciones de esta unidad . . . . .	6
Acerca de este manual . . . . .	6
Comprobación de los accesorios suministrados. . .	7
Manipulación de discos . . . . .	7
<b>Partes y sus funciones . . . . .</b>	<b>8</b>
Panel superior . . . . .	8
Panel trasero . . . . .	9

## **Preparación 10**

---

<b>Ubicación . . . . .</b>	<b>10</b>
<b>Montaje . . . . .</b>	<b>10</b>
Montaje de la unidad . . . . .	10
Colocación de la cubierta antipolvo . . . . .	12
<b>Conexiones . . . . .</b>	<b>13</b>
<b>Ajustes . . . . .</b>	<b>14</b>
Ajuste de la presión de aguja . . . . .	14
Ajuste del antideslizamiento . . . . .	16
<b>Encendido de la unidad . . . . .</b>	<b>16</b>

## **Reproducción 17**

---

### **En caso necesario 20**

---

Cuidados. . . . .	20
<b>Sustitución . . . . .</b>	<b>20</b>
Sustitución de la correa . . . . .	20
Sustitución de la aguja para disco. . . . .	21
<b>Traslado de esta unidad . . . . .</b>	<b>21</b>
<b>Resolución de problemas . . . . .</b>	<b>22</b>
<b>Especificaciones . . . . .</b>	<b>24</b>



# Antes de empezar

## Funciones de esta unidad

---



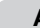

Esta unidad es un giradiscos que permite reproducir discos analógicos.

- **Carcasa de madera con acabado satinado**  
Ofrece una combinación de belleza y ventajas prácticas, como por ejemplo un alto grado de rigidez y amortiguación de vibraciones.
- **El brazo fonocaptor recto de gran rigidez prácticamente elimina cualquier efecto en la delicada señal musical.**
- **Permite cambiar con facilidad entre la salida LINE equipada con un circuito PHONO EQ de calidad alta y la salida directa PHONO, para disfrutar de flexibilidad al configurar su sistema de reproducción de discos.**
- **La gran estabilidad de rotación se logra usando un plato de fundición de aluminio impulsado por banda elástica mediante un motor de CC de par alto.**
- **El margen de retroalimentación se mantiene mediante aislantes (pies) que ofrecen una absorción excelente de vibraciones e impactos.**

## Acerca de este manual

---

Cuando lea este manual, tenga en cuenta lo siguiente.

- ◆ Las especificaciones y el diseño están sujetos a cambio sin previo aviso para mejorar el producto.
- ◆ Explicación de los símbolos gráficos utilizados en este manual:
  - “ **ADVERTENCIA**” indica puntos que deben observarse para evitar el riesgo de muerte o lesiones graves.
  - “ **ATENCIÓN**” indica puntos que deben observarse para evitar el riesgo de lesiones.
  -  **AVISO** indica puntos que deben observarse para evitar dañar el producto o provocar una avería.
  -  **NOTA** indica información complementaria que le resultará útil.

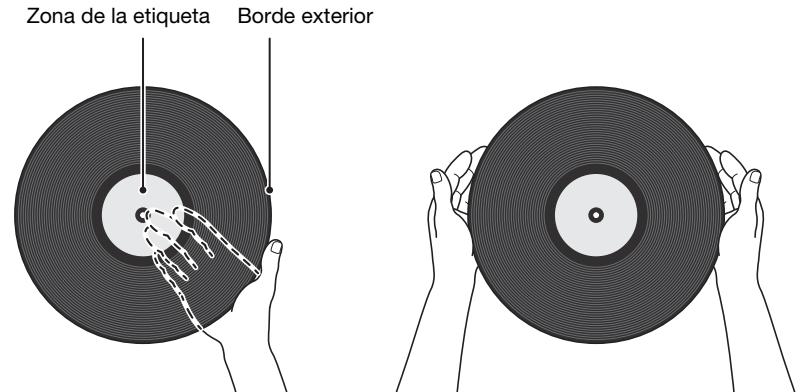
# Comprobación de los accesorios suministrados

Asegúrese de que todos los elementos están presentes.

<input type="checkbox"/> <b>Plato x1</b> 	<input type="checkbox"/> <b>Tapete de plato x1</b> 	<input type="checkbox"/> <b>Correa x1</b> * La correa está instalada en el plato.
<input type="checkbox"/> <b>Contrapeso x1</b> 	<input type="checkbox"/> <b>Cabezal de la aguja x1 (con cartucho)</b> 	<input type="checkbox"/> <b>Adaptador de 45 rpm x1</b> 
<input type="checkbox"/> <b>Cubierta antipolvo x1</b> 	<input type="checkbox"/> <b>Bisagra de la cubierta antipolvo x2</b> 	<input type="checkbox"/> <b>Cable estéreo RCA x1</b> 
<input type="checkbox"/> <b>Adaptador de CA x1</b> * Para obtener más información, consulte el "suplemento" (folleto) incluido.	<input type="checkbox"/> <b>Manual de instrucciones (este manual)</b> <input type="checkbox"/> <b>Suplemento (folleto)</b>	

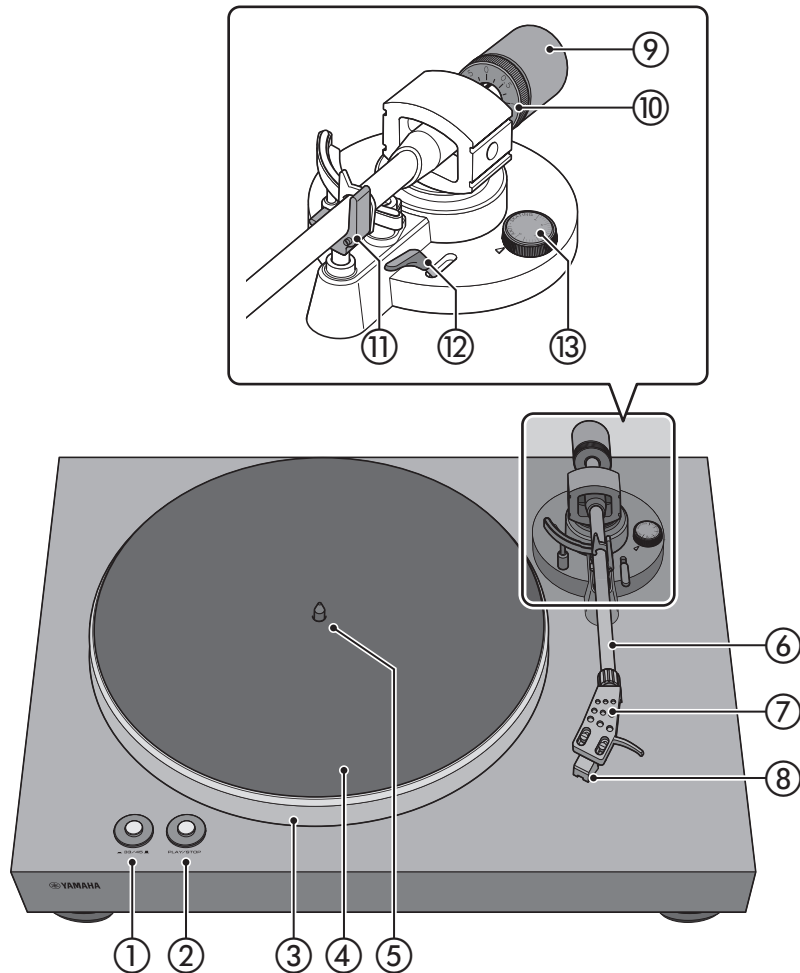
# Manipulación de discos

Cuando sostenga un disco, debe hacerlo por la zona de la etiqueta del disco y su borde exterior, o bien por los bordes exteriores del disco con las dos manos.



# Partes y sus funciones

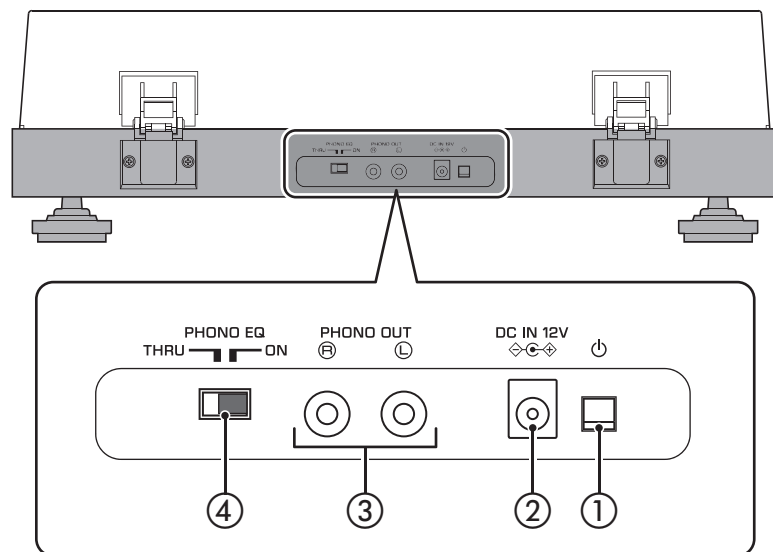
## Panel superior



- ① 33/45 (velocidad) (⇒ página 17)
- ② PLAY/STOP (reproducción/parada) (⇒ página 17)
- ③ Plato (⇒ página 10)
- ④ Tapete de plato (⇒ página 11)
- ⑤ Eje central (⇒ página 10)
- ⑥ Brazo fonocaptor (⇒ página 11)
- ⑦ Cabezal de la aguja (⇒ página 11)
- ⑧ Cartucho
- ⑨ Contrapeso (⇒ página 11)
- ⑩ Anillo contador (⇒ página 15)
- ⑪ Soporte del brazo (⇒ página 14)
- ⑫ Palanca elevadora (⇒ página 18)
- ⑬ Antideslizamiento (⇒ página 16)



## Panel trasero



### ① **⏻ (alimentación)**

Permite encender y apagar la unidad. (⇒ página 16)

■ : encendida

■ : apagada

### ② **Toma DC IN**

Conecte el adaptador de CA (suministrado) a esta toma. (⇒ página 13)

### ③ **Tomas PHONO OUT**

Estas tomas emiten el audio de reproducción del disco. (⇒ página 13)

### ④ **Interruptor PHONO EQ (ecualizador del giradiscos)**

Según corresponda para el dispositivo que está conectado, utilice este interruptor para cambiar la señal que se emite desde las tomas PHONO OUT. (⇒ página 13)

# Preparación

## Ubicación

Debido a que la reproducción de discos se ve afectada fácilmente por la vibración, debe colocar la unidad en una superficie plana que no esté sometida a vibraciones externas.

Colóquela lo suficientemente lejos del sistema de altavoces para que no se vea afectada por la presión o vibración acústica.

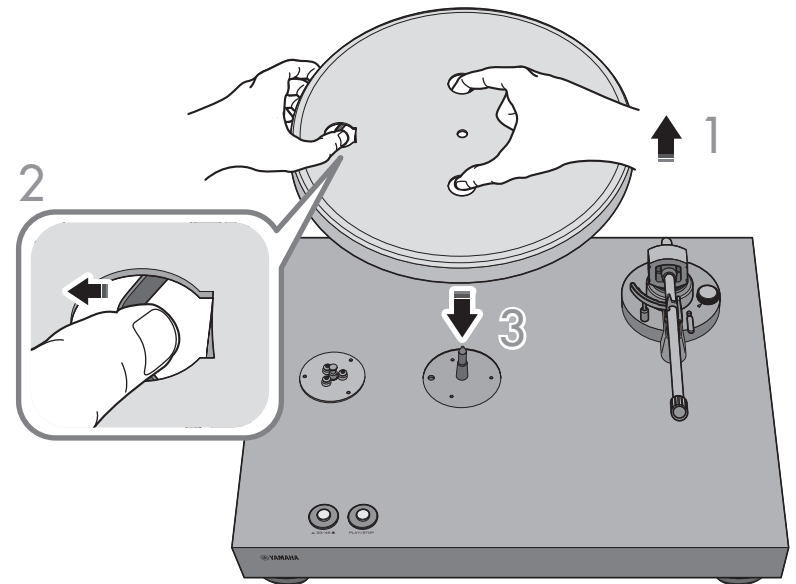
## Montaje

### Montaje de la unidad

- 1 Levante el plato.
- 2 A través del agujero redondo del plato, tire de la correa hacia fuera enganchándola con el dedo.
- 3 Inserte el plato sobre el eje central.

#### ATENCIÓN

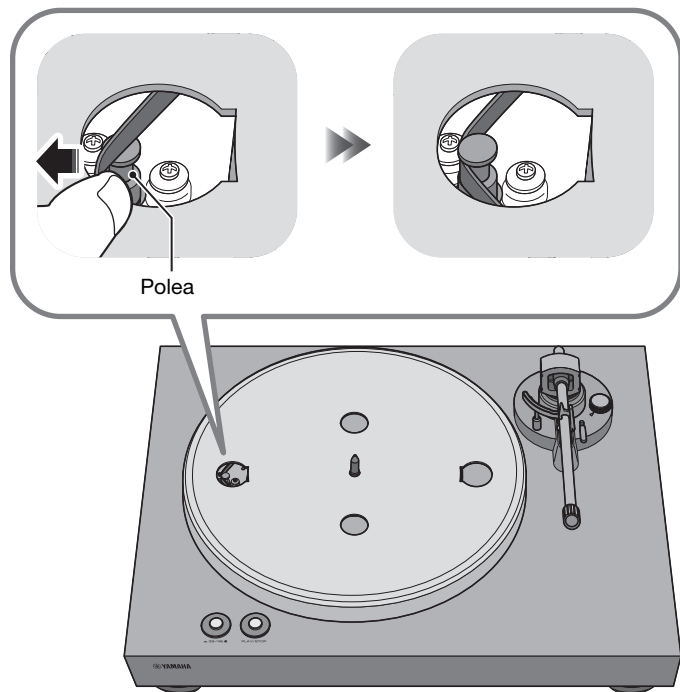
- ◆ Evite dejar caer el plato. De lo contrario, se pueden producir lesiones o podría dañar la unidad.



**4** Alinee el agujero redondo del plato con la polea.

**5** Utilice un dedo para enganchar la correa en la polea.

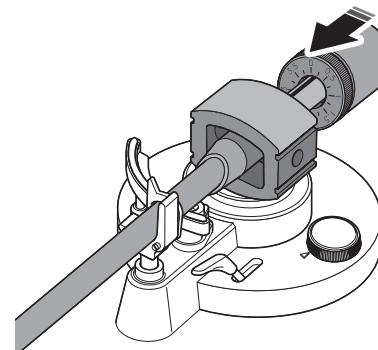
Evite que la correa se retuerza. Tras enganchar la correa en la polea, gire el plato varias veces para asegurarse de que la correa está bien colocada.



**6** Coloque el tapete de plato sobre el plato.

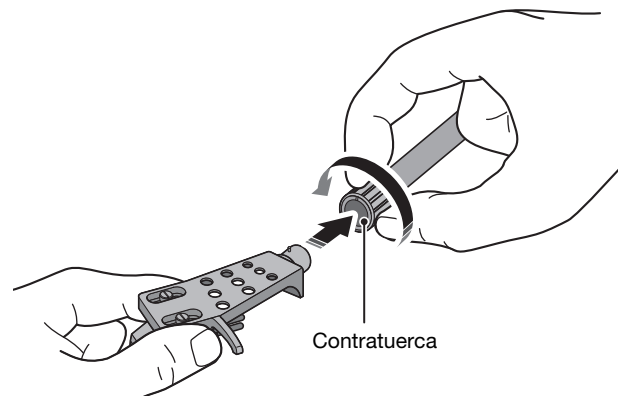
**7** Acople el contrapeso al brazo fonocaptor.

Con las marcas del contrapeso orientadas hacia usted, deslícelo sobre el extremo trasero del brazo fonocaptor.



**8** Acople el cabezal de la aguja al brazo fonocaptor.

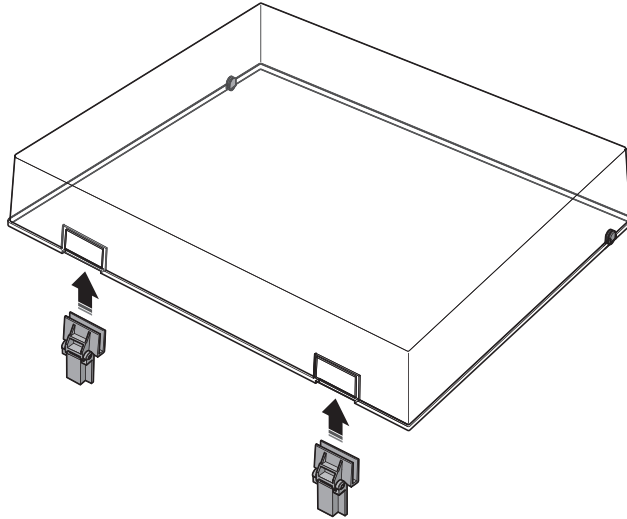
Inserte el cabezal de la aguja en el extremo delantero del brazo fonocaptor y gire la contratuerca para fijarlo.



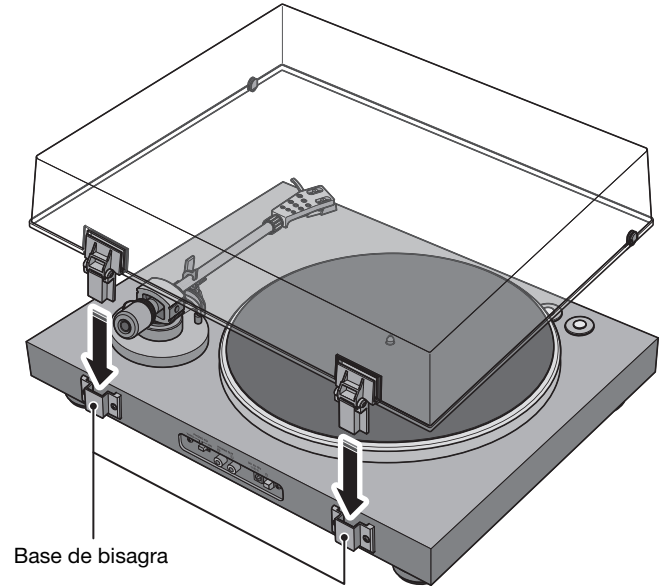
## Colocación de la cubierta antipolvo

La cubierta antipolvo protege esta unidad del polvo, etc.

- 1 Inserte las bisagras en las ubicaciones correspondientes a ambos lados de la cubierta antipolvo.



- 2 Acople la cubierta antipolvo insertando las bisagras en las bases de bisagra ubicadas en el panel trasero de la unidad.



### NOTA

- ◆ Para extraer la cubierta antipolvo, sujete los dos lados de la cubierta y levántela lentamente para retirarla junto con sus bisagras.



### ATENCIÓN

- ◆ Evite pellizcarse las manos o los dedos al abrir o cerrar la cubierta antipolvo.

# Conexiones

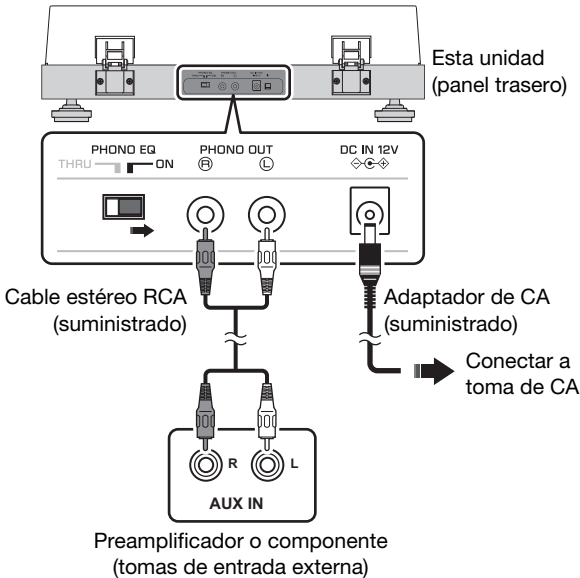
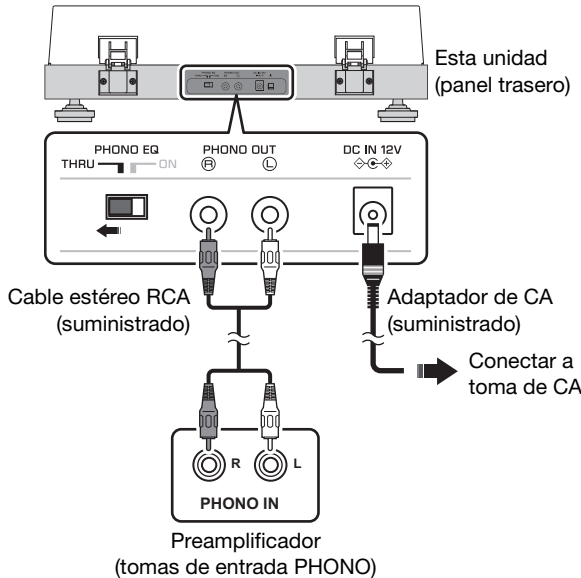
## ⚠ ATENCIÓN

- ◆ Termine de realizar todas las demás conexiones antes de conectar el adaptador de CA (suministrado) a una toma de CA.

## NOTA

- ◆ Consulte también los manuales de instrucciones del dispositivo que está conectando.

Español

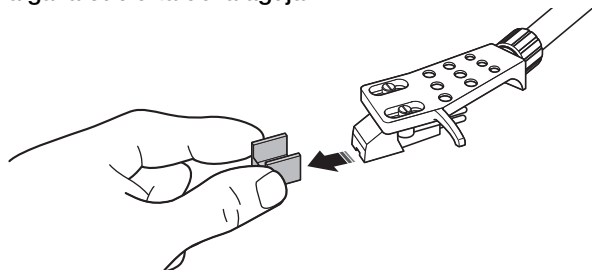
Dispositivos conectados	<ul style="list-style-type: none"> <li>• Dispositivos no equipados con tomas de entrada PHONO</li> </ul>  <p>Esta unidad (panel trasero)</p> <p>Cable estéreo RCA (suministrado)</p> <p>Adaptador de CA (suministrado)</p> <p>Conectar a toma de CA</p> <p>Preamplificador o componente (tomas de entrada externa)</p>	<ul style="list-style-type: none"> <li>• Dispositivos equipados con tomas de entrada PHONO</li> </ul>  <p>Esta unidad (panel trasero)</p> <p>Cable estéreo RCA (suministrado)</p> <p>Adaptador de CA (suministrado)</p> <p>Conectar a toma de CA</p> <p>Preamplificador (tomas de entrada PHONO)</p>
	<p>Ajuste de interruptor PHONO EQ</p> <p><b>ON</b> (predeterminado)</p>	<p><b>THRU</b></p>
<p>Función de ecualizador de esta unidad</p> <p><b>Activada</b></p>	<p>La señal procedente del cartucho se amplifica mediante el ecualizador del giradiscos que está integrado en esta unidad, y se emite desde las tomas PHONO OUT.</p>	<p><b>Desactivada</b></p> <p>La señal procedente del cartucho se emite directamente desde las tomas PHONO OUT.</p>

# Ajustes

## Ajuste de la presión de aguja

Ajuste el brazo fonocaptor de modo que se aplique al disco la presión de aguja adecuada.

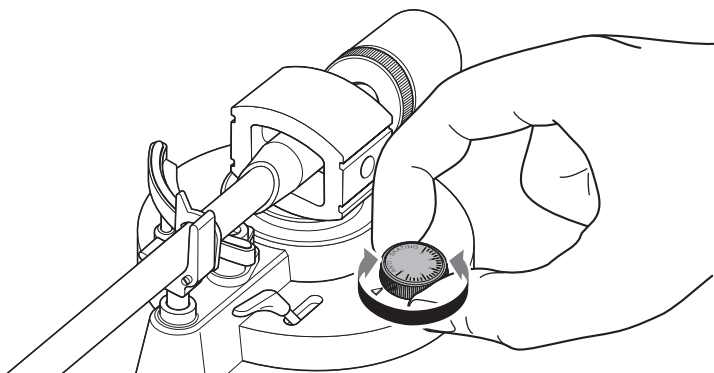
1 Extraiga la cubierta de la aguja.



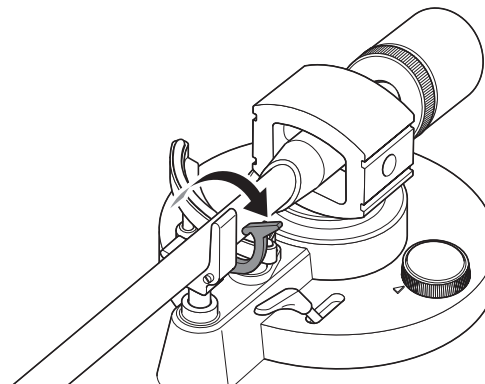
### AVISO

- ◆ Evite que la cubierta de la aguja o su dedo entren en contacto con la aguja.

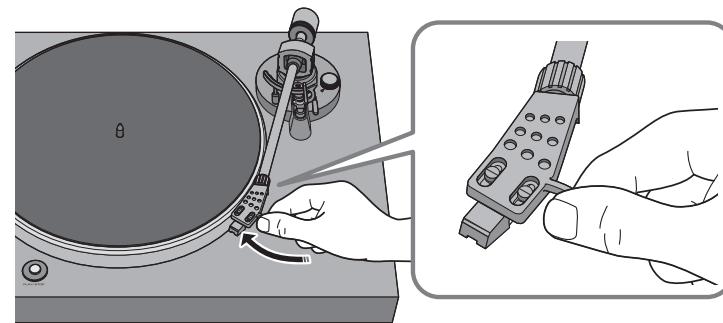
2 Coloque el ajuste antideslizamiento en la posición "0".



3 Libere el inmovilizador del brazo fonocaptor.



4 Desplace el brazo fonocaptor fuera del soporte del brazo y ligeramente hacia la izquierda.



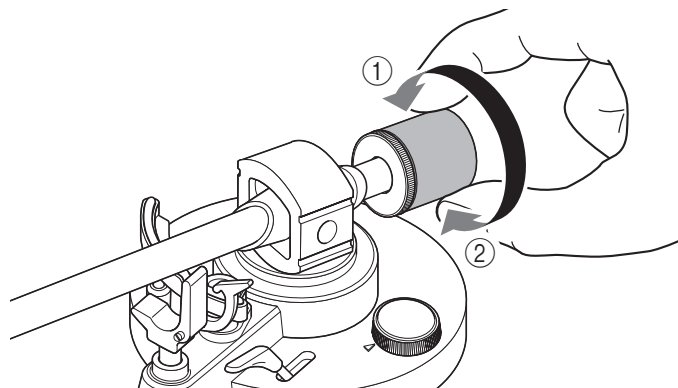
### AVISO

- ◆ Evite que la aguja entre en contacto con cualquier parte de la unidad.

## 5 Gire el contrapeso de modo que el brazo fonocaptor quede horizontal.

Hacia ①: el contrapeso avanza por el brazo fonocaptor.

Hacia ②: el contrapeso retrocede por el brazo fonocaptor.



**Correcto**



El brazo fonocaptor está horizontal (equilibrado).

**Incorrecto**



El contrapeso está demasiado hacia delante.

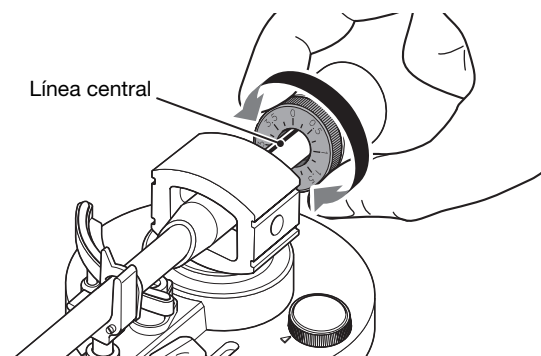
**Incorrecto**



El contrapeso está demasiado hacia atrás.

## 6 Vuelva a colocar el brazo fonocaptor en el soporte del brazo e inmovilícelo.

## 7 Gire el anillo contador de modo que la marca "0" quede alineada con la línea central del extremo trasero del brazo fonocaptor.

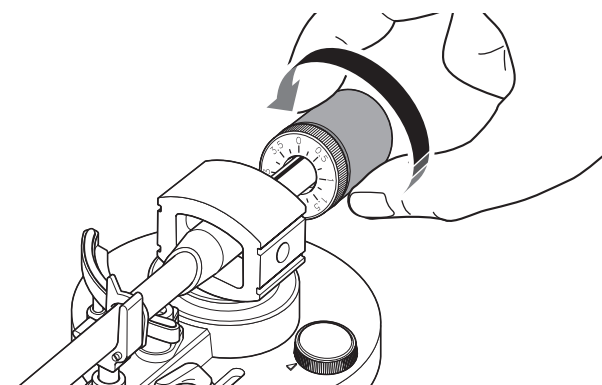


### NOTA

- ◆ Al girar el anillo contador, presione el contrapeso con los dedos para que no gire.

## 8 Al girar el contrapeso, ajuste las marcas de este a la presión de aguja especificada para el cartucho.

La presión de aguja especificada para el cartucho suministrado es 3,5 g.



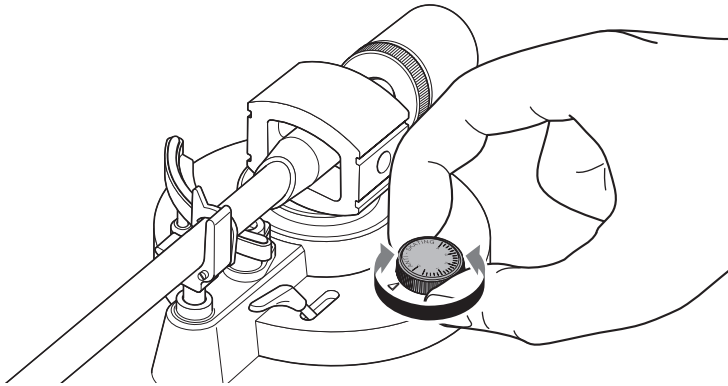
### NOTA

- ◆ Al girar el contrapeso también gira el anillo contador.


## Ajuste del antideslizamiento

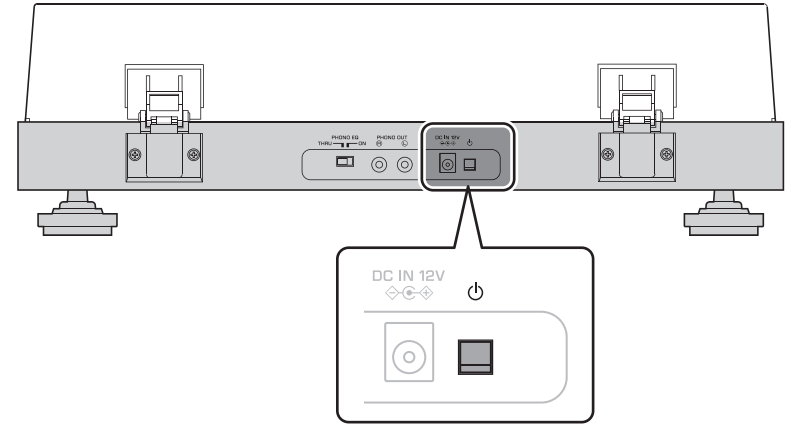
Cuando el plato gira, la punta de la aguja genera una fuerza que la empuja hacia el centro de rotación. Si el valor de antideslizamiento se establece en el mismo valor que la presión de aguja, se genera una fuerza que tira de la aguja hacia fuera del centro de rotación, y ambas fuerzas se cancelan mutuamente.

- 1 Gire el ajuste de antideslizamiento al mismo valor que la presión de aguja del cartucho.



## Encendido de la unidad

En el panel trasero de la unidad, pulse  (alimentación) para encender la alimentación de la unidad.





# Reproducción

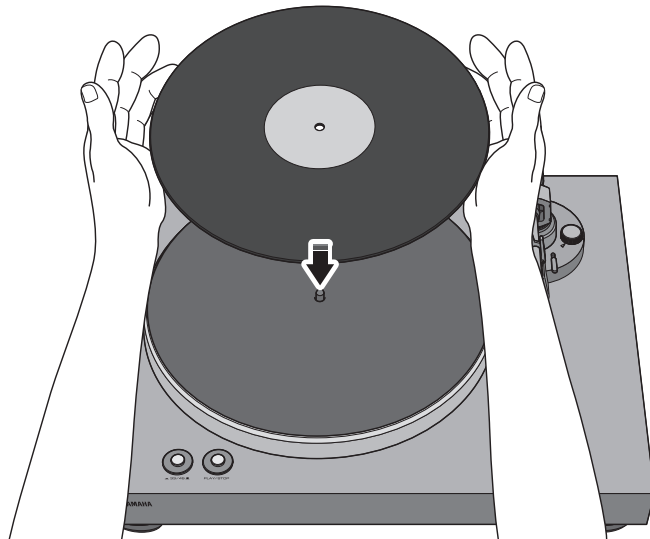
## ■ Inicio de la reproducción

### ⚠ ATENCIÓN

- ◆ Si reproduce un disco sin bajar lo suficiente el volumen de su amplificador, se puede producir un sonido fuerte cuando la punta de la aguja entra en contacto con el disco. Esto puede provocar pérdida de audición y dañar el amplificador y el altavoz, por lo que debe asegurarse de bajar el volumen del amplificador.

### 1 Abra la cubierta antipolvo y coloque el disco en el plato.

Si reproduce un disco de 45 rpm, utilice el adaptador de 45 rpm suministrado.

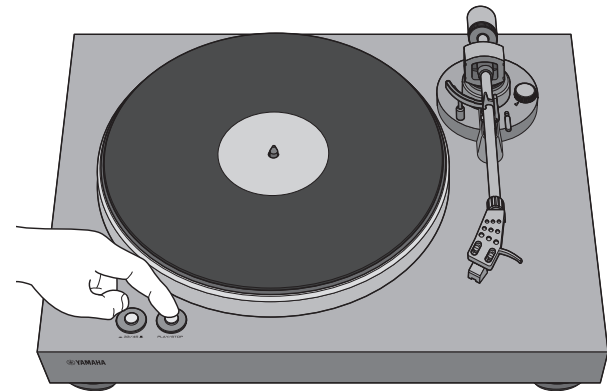


### 2 Pulse 33/45 (velocidad) para seleccionar la velocidad adecuada para el disco.

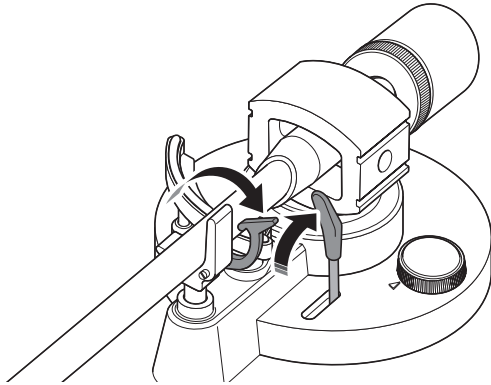
 : 33 1/3 rpm       : 45 rpm

### 3 Pulse PLAY/STOP (reproducción/parada).

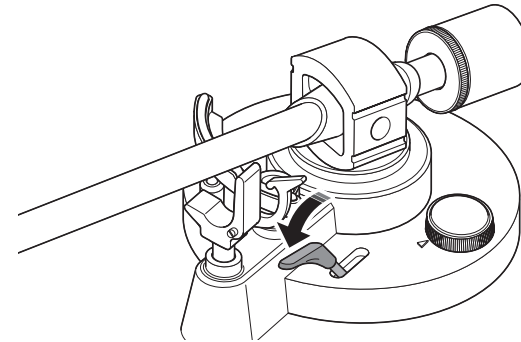
El plato gira.



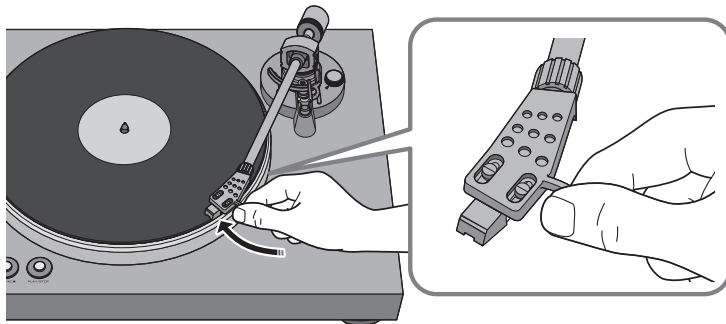
- 4** Libere el inmovilizador del brazo fonocaptor y levante la palanca elevadora.



- 6** Baje la palanca elevadora.  
El brazo fonocaptor desciende y se inicia la reproducción.



- 5** Mueva el brazo fonocaptor a la posición de reproducción del disco.



## ■ Puesta en pausa de la reproducción

Si levanta la palanca elevadora, el brazo fonocaptor se eleva y la reproducción se pone en pausa.

Al bajar la palanca elevadora, la reproducción se reanuda.

## ■ Detención de la reproducción

- 1 Levante la palanca elevadora.
- 2 Vuelva a colocar el brazo fonocaptor en el soporte del brazo.
- 3 Baje la palanca elevadora.
- 4 Pulse **PLAY/STOP** (reproducción/parada).  
El plato deja de girar.
- 5 Inmovilice el brazo fonocaptor.

### NOTA

- ◆ El brazo fonocaptor no se eleva automáticamente cuando el disco termina de reproducirse.
- ◆ Si no va a utilizar la unidad durante cierto tiempo, coloque la cubierta en la aguja para protegerla.

# En caso necesario

## Cuidados

---

### ■ Mantenimiento de esta unidad

Límpiala con un paño suave y seco. No utilice productos químicos como bencina o disolventes, ya que podrían dañar la superficie.

### ■ Mantenimiento de la aguja para disco

La punta de la aguja para disco es extremadamente delicada. Debe manipularla con cuidado para evitar dañarla. Si se adhiere polvo a la punta de la aguja, utilice un cepillo de punta suave para limpiarla empezando por la base de la aguja y avanzando hacia la punta, o bien utilice un limpiador disponible en el mercado destinado a este fin.

### ■ Mantenimiento de los discos

Si se adhiere suciedad a un disco puede provocar saltos o ruido. Utilice un limpiador de discos disponible en el mercado para eliminar la suciedad.

## Sustitución

---

### Sustitución de la correa

En función de las condiciones de uso, la correa se puede desgastar o romper. En tal caso, sustituya la correa. Para obtener una correa de repuesto, póngase en contacto con su centro Yamaha de atención al cliente o concesionario autorizado más cercano.

- 1 **Apague la alimentación de esta unidad y de los dispositivos conectados y desconecte el adaptador de CA de esta unidad de la toma de CA.**
- 2 **Retire el tapete de plato del plato.**
- 3 **Separe la correa de la polea.**
- 4 **Inserte los dedos en el agujero redondo del plato y levántelo.**



#### **ATENCIÓN**

- ◆ Evite dejar caer el plato. De lo contrario, se pueden producir lesiones o podría dañar la unidad.

- 5 **Dé la vuelta al plato y extraiga la correa.**
- 6 **Coloque la correa de repuesto en el plato.**  
Evite que la correa se retuerza.
- 7 **Coloque el plato en esta unidad.**

Para obtener información sobre la instalación, consulte "Montaje" en la página 10.

## Sustitución de la aguja para disco

Cuando la punta de la aguja para disco se desgasta o se estropea, debe sustituirla de inmediato.

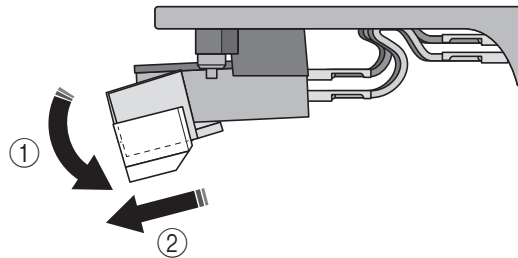
Como aguja de repuesto, compre un recambio de aguja ATN3600L fabricado por Audio-Technica.

### ⚠ ATENCIÓN

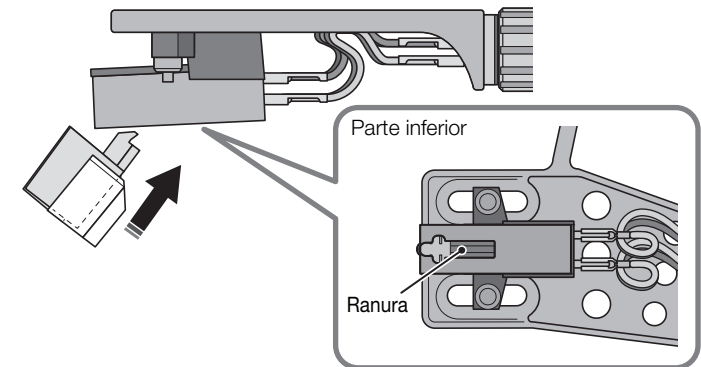
- ◆ Coloque la cubierta de la aguja antes de sustituir la aguja. La punta de la aguja podría herirle o resultar dañada.
- ◆ Evite que los niños ingieran la aguja tras extraerla.

1 Apague la alimentación de esta unidad y de los dispositivos conectados y desconecte el adaptador de CA de esta unidad de la toma de CA.

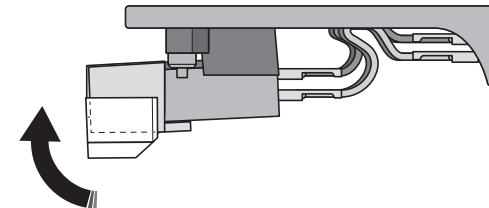
2 Mientras sujeta con los dedos el cuerpo del cartucho, presione la aguja hacia abajo en la dirección de ① y tire de ella en la dirección de ② para extraerla.



3 Mientras sujeta con los dedos el cuerpo del cartucho, inserte la pestaña de la aguja de repuesto en la ranura de la parte inferior del cartucho.



4 Presione la aguja hacia arriba hasta que oiga un chasquido.




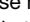


## Traslado de esta unidad

Al trasladar esta unidad, inmovilice el brazo fonocaptor para evitar que se mueva.

# Resolución de problemas

Si la unidad deja de funcionar correctamente, compruebe los siguientes puntos.

Si al realizar la acción correspondiente no se soluciona el problema, o si hay un problema que no aparece en esta lista, pulse el botón  (alimentación) situado en el panel trasero de la unidad para apagar la alimentación, desconecte el cable de alimentación y póngase en contacto con su centro Yamaha de atención al cliente o concesionario autorizado más cercano.

Problema	Causa	Acción	Página de referencia
<b>Al pulsar  (alimentación) no se enciende la alimentación.</b>	El adaptador de CA se ha desconectado de la toma DC IN de esta unidad o de la toma de CA, o no está bien enchufado.	Enchufe bien el adaptador de CA en la toma DC IN de esta unidad y en la toma de CA.	13
<b>El plato no gira.</b>	La correa no está colocada correctamente en el plato y la polea, o bien la correa se ha soltado.	Acople correctamente la correa en el plato y la polea.	10
	 (alimentación) no está encendido.	Encienda  (alimentación).	16
<b>No se escucha sonido.</b>	El cabezal de la aguja no está acoplado correctamente al brazo fonocaptor.	Acople correctamente el cabezal de la aguja al brazo fonocaptor.	11
	El cable estéreo RCA no se ha conectado correctamente.	Conecte correctamente el cable estéreo RCA.	13
	El ajuste de silencio del amplificador está activado.	Desactive el ajuste de silencio del amplificador.	–
<b>El volumen es demasiado débil o demasiado fuerte.</b>	El ajuste de cartucho del amplificador o del ecualizador del giradiscos es incorrecto.	Establezca correctamente el ajuste de cartucho del amplificador o del ecualizador del giradiscos para el tipo de cartucho que utilice (MM o MC).	–
	El interruptor PHONO EQ se ha ajustado de forma incorrecta.	Ajuste correctamente el interruptor PHONO EQ para el dispositivo conectado.	13
<b>Hay un problema con el equilibrio izquierdo/derecho del sonido.</b>	El giradiscos está inclinado.	Coloque el giradiscos en una superficie plana.	–
<b>La velocidad de reproducción es incorrecta.</b>	El ajuste de velocidad es incorrecto.	Establezca correctamente el ajuste de 33/45 (velocidad). Esta unidad no admite la reproducción de discos SP (78 rpm).	17

Problema	Causa	Acción	Página de referencia
<b>Se oye un zumbido.</b>	El cable estéreo RCA no se ha conectado correctamente.	Conecte correctamente el cable estéreo RCA.	13
	El cabezal de la aguja no está bien fijado al brazo fonocaptor.	Utilice la contratuerca para fijar bien el cabezal de la aguja al brazo fonocaptor.	11
<b>Se producen saltos. Se oye ruido. El sonido se distorsiona.</b>	La presión de aguja no se ha ajustado correctamente.	Ajuste las marcas del contrapeso a la presión de aguja especificada para el cartucho.	14
	El disco está rayado o combado.	No utilice discos rayados o combados.	–
	El disco está sucio.	Utilice un limpiador de discos disponible en el mercado para limpiar el disco.	–
	El disco tiene carga estática.	Utilice un cepillo antiestático para eliminar la carga estática.	–
	La aguja está sucia.	Limpie la suciedad de la aguja.	20
	La aguja está desgastada.	Sustituya la aguja.	21
	La unidad está colocada en una ubicación sometida a vibraciones.	Coloque la unidad en una superficie plana no sometida a vibraciones.	–
<b>Se produce retroalimentación.</b>	La unidad está demasiado cerca de los altavoces.	Aleje la unidad de los altavoces.	–
	El volumen de reproducción es demasiado alto.	Ajuste el volumen del amplificador.	–

# Especificaciones

---

A continuación se describen las especificaciones de esta unidad.

## Sección de plato

Método de impulsión . . . . .	Impulsado por banda elástica
Motor. . . . .	Motor de CC
Velocidad de rotación . . . . .	33 1/3 rpm, 45 rpm
Variación de velocidad de rotación. . . . .	±2%
Fluctuación y trémolo. . . . .	.0,2%
Plato . . . . .	Fundición de aluminio Diámetro: 30 cm

## Sección de brazo fonocaptor

Tipo . . . . .	Brazo fonocaptor recto de equilibrio estático
Longitud de brazo efectiva. . . . .	.223,5 mm
Rango de ajuste de presión de aguja. . . . .	0–4 g
Peso de cartucho aceptable . . . . .	15,5–19 g (incluido el cabezal de la aguja)
Proyección. . . . .	19 mm

## Sección de cartucho

Tipo . . . . .	Tipo MM
Tensión de salida. . . . .	2,5 mV (1 kHz, 3,54 cm/s)
Presión de aguja . . . . .	3,5 ± 0,5 g
Peso del cartucho . . . . .	5,0 ± 0,3 g
Altura del cartucho. . . . .	17,0 ± 0,7 mm
Peso del cabezal de la aguja. . . . .	10 g (incluyendo tornillos, tuercas y cables)

## Sección de audio

Nivel de salida	
PHONO EQ THRU (1 kHz, 3,54 cm/s) . . . . .	2,5 mV ±3 dBV
PHONO EQ ON . . . . .	140 mV (–17 dBV)
Relación señal a ruido (ponderación A, 20 kHz LPF) . . . . .	67 dB o superior
Toma de salida. . . . .	PHONO OUT × 1 (RCA sin balancear)

## General

Alimentación de adaptador de CA	
Entrada. . . . .	100–240 V CA 50/60 Hz
Salida . . . . .	12 V 0,5 A
Consumo	
Con la unidad encendida . . . . .	1,5 W
Con la unidad apagada. . . . .	.0,1 W
Peso. . . . .	4,8 kg
Dimensiones (ancho × alto × profundo) . . . . .	450 × 136 × 368 mm (incluidos patas y salientes)

- ♦ El contenido de este manual se aplica a las últimas especificaciones según la fecha de publicación. Para obtener el último manual, acceda al sitio web de Yamaha y descargue el archivo del manual.



Este produto foi projetado para ser usado em casa, para apreciação de áudio.

# PRECAUÇÕES

**LEIA ATENTAMENTE ANTES DE USAR.  
CERTIFIQUE-SE DE SEGUIR ESTAS  
INSTRUÇÕES.**

**As precauções listadas abaixo são para prevenir o risco de danos ao usuário e a outros, bem como para prevenir danos à propriedade, e para ajudar o usuário a usar esta unidade de maneira adequada e segura. Certifique-se de seguir estas instruções.**

Depois de ler este manual, certifique-se de guardá-lo em um lugar seguro, para consultá-lo quando for preciso.

- Certifique-se de solicitar inspeções e reparos ao revendedor de onde comprou a unidade ou ao pessoal de assistência técnica autorizado da Yamaha.
- A Yamaha não pode ser responsabilizada por ferimentos ao usuário ou danos aos produtos causados pelo uso indevido ou por modificações feitas na unidade.
- Este produto se destina a residências comuns. Não use para aplicações que exijam alta confiabilidade, como gerenciar vidas, tratamento médico ou ativos de alto valor.



## **ADVERTÊNCIA**

**Este conteúdo indica “risco de ferimentos graves ou morte”.**

### **Fornecimento de energia e adaptador de CA**

- Não faça nada que poderia danificar o cabo de alimentação.
    - Não o coloque perto de um aquecedor.
    - Não o dobre excessivamente nem o altere.
    - Não o arranhe.
    - Não o coloque sob um objeto pesado.Usar o cabo de alimentação com o núcleo do cabo exposto pode causar choques elétricos ou um incêndio.
  - Não toque no plugue de alimentação ou no próprio cabo se houver uma possibilidade de raios. Deixar de observar isso pode causar choques elétricos.
  - Use esta unidade com a voltagem de fornecimento de energia impressa nela. Deixar de conectar a uma tomada de corrente alternada (CA) adequada pode causar um incêndio, choques elétricos ou mau funcionamento.
  - Certifique-se de usar o adaptador CA fornecido. Deixar de observar os itens acima pode causar um incêndio, queimaduras ou mau funcionamento.
- Verifique o plugue de alimentação periodicamente e remova qualquer sujeira ou poeira que possa ter se acumulado nele. Deixar de observar isso pode causar um incêndio ou choques elétricos.
  - Ao instalar a unidade, certifique-se de que a tomada de corrente alternada (CA) a ser usada seja facilmente acessível. Se ocorrer algum problema ou mau funcionamento, desligue o interruptor de alimentação imediatamente e desconecte o plugue da tomada de corrente alternada (CA). Mesmo que o interruptor de alimentação seja desligado, se o cabo de alimentação não for desconectado da tomada de corrente alternada (CA), a unidade não será desconectada da fonte de energia.
  - Se você ouvir trovões ou achar que está se aproximando uma chuva forte com raios, desligue o interruptor de alimentação imediatamente e desconecte o plugue de alimentação da tomada de corrente alternada (CA). Deixar de observar isso pode causar um incêndio ou mau funcionamento.
  - Se não for usar a unidade por um longo período, certifique-se de desconectar o plugue de alimentação da tomada de corrente alternada (CA). Deixar de observar isso pode causar um incêndio ou mau funcionamento.

## Não desmonte

---

- Não desmonte nem modifique esta unidade. Deixar de observar isso pode causar um incêndio, choques elétricos, ferimentos ou maus funcionamentos. Se você perceber qualquer anormalidade, certifique-se de solicitar uma inspeção ou reparo ao revendedor de onde comprou a unidade ou ao pessoal de assistência técnica autorizado da Yamaha.

## Advertência relativa a água

---

- Não exponha a unidade à chuva, não a use perto de água nem em locais úmidos e não coloque sobre ela recipientes (como jarros, garrafas ou copos) contendo líquidos que possam ser derramados em suas aberturas ou locais onde possa cair água. Se algum líquido, como água, entrar na unidade, um incêndio, choques elétricos ou mau funcionamento poderão ocorrer. Se algum líquido, como água, penetrar no dispositivo, desligue-o imediatamente e desconecte o cabo de alimentação da tomada de corrente alternada (CA). Logo, solicite uma inspeção ao revendedor de onde comprou a unidade ou ao pessoal de assistência técnica autorizado da Yamaha.
- Nunca insira nem retire um plugue de alimentação com as mãos molhadas. Não manuseie esta unidade com as mãos molhadas. Deixar de observar isso pode causar choques elétricos ou maus funcionamentos.

## Advertência relativa a fogo

---

- Não coloque nenhum item em chamas ou chamas abertas perto da unidade, pois isso pode causar um incêndio.

## Se você perceber alguma anormalidade

---

- Se ocorrer qualquer uma das seguintes anormalidades, desligue a alimentação imediatamente e desconecte o plugue de alimentação.
  - O cabo/plugue de alimentação está danificado.
  - Um odor anormal ou fumaça é emitido pela unidade.
  - Um material estranho entrou no interior da unidade.
  - Há uma rachadura ou dano na unidade.Continuar a usar neste caso pode causar choques elétricos, um incêndio ou maus funcionamentos. Solicite imediatamente uma inspeção ou reparo ao revendedor de onde comprou a unidade ou ao pessoal de assistência técnica autorizado da Yamaha.
- Tome cuidado para não derrubar ou aplicar um impacto forte nesta unidade ou no adaptador CA. Se você achar que a unidade possa ter sido danificado devido a uma queda ou impacto, desligue a alimentação imediatamente e desconecte o plugue de alimentação da tomada de corrente alternada (CA). Deixar de observar isso pode causar choques elétricos, um incêndio ou maus funcionamentos. Solicite imediatamente uma inspeção ao revendedor de onde comprou a unidade ou ao pessoal de assistência técnica autorizado da Yamaha.



## **CUIDADO**

**Este conteúdo indica “risco de ferimentos”.**

## Fornecimento de energia e adaptador de CA

---

- Não cubra ou enrole a adaptador CA com um pano ou com um cobertor. Deixar de observar isso pode causar deformação na caixa ou incêndio.
- Não use uma tomada de corrente alternada (CA) em que o plugue de alimentação fique frouxo ao ser inserido. Deixar de observar isso pode causar um incêndio, choques elétricos ou queimaduras.
- Ao retirar o plugue de alimentação da unidade ou de uma tomada de corrente alternada (CA), sempre segure o próprio plugue e não o cabo. Puxar pelo cabo pode danificá-lo e causar choques elétricos ou um incêndio.
- Insira o plugue de alimentação firme e completamente na tomada de corrente alternada (CA). Usar a unidade com um plugue conectado de maneira insuficiente pode causar a acumulação de poeira no plugue, causando um incêndio ou queimaduras.

## Instalação

---

- Não coloque a unidade em uma posição instável, em que ela possa cair ou tombar acidentalmente e causar ferimentos.
- Certifique-se de que a parte superior está voltado para cima. Deixar de observar isso pode causar mau funcionamento ou causar a queda da unidade, causando ferimentos ou danos.

- Não instale a unidade em um local em que ela possa entrar em contato com gases corrosivos ou maresia; ou locais com muita fumaça ou vapor. Fazer isso pode causar maus funcionamentos.
- Evite ficar perto da unidade durante um desastre, como um terremoto. Visto que a unidade pode tombar ou cair e causar ferimentos, afaste-se rapidamente da unidade e vá para um lugar seguro.
- Antes de mover esta unidade, certifique-se de desligar o interruptor de alimentação e de desconectar todos os cabos de conexão. Se você não tomar esses cuidados, os cabos poderão ser danificados, ou você ou outra pessoa poderá tropeçar neles e cair.

## Perda da audição

---

- Antes de conectar a unidade a outros dispositivos, desligue a alimentação de todos os dispositivos. Deixar de fazer isso pode resultar na perda da audição, choque elétrico ou danos nos dispositivos.
- Ao ligar a corrente alternada (CA) em seu sistema de áudio, sempre ligue o amplificador ou receiver POR ÚLTIMO, para evitar a perda da audição e danos aos alto-falantes. Ao desligar a alimentação, o amplificador ou receiver deve ser desligado PRIMEIRO pela mesma razão. Deixar de observar o mencionado acima pode causar uma deficiência auditiva ou danos aos alto-falantes.

## Manutenção

---

- Remova o plugue de alimentação da tomada de corrente alternada (CA) antes de limpar a unidade. Deixar de observar isso pode causar choques elétricos.

## Cuidado relativo ao manuseio

---

- Mantenha as peças pequenas fora do alcance de bebês. Os seus filhos podem ingeri-los acidentalmente.
- Não faça o seguinte:
  - ficar de pé ou sentar sobre o equipamento.
  - colocar itens pesados sobre o equipamento.
  - colocar o equipamento em uma pilha.
  - aplicar força excessiva nos botões, interruptores, terminais de entrada/saída, etc.
  - apoiar contra o equipamento.
- Evite puxar os cabos conectados para evitar ferimentos ou danos à unidade causados por sua queda.

## Aviso

**Indica pontos que você deve observar para prevenir uma falha, um dano ou o mau funcionamento do produto.**

## Fornecimento de energia e adaptador de CA

---

- Se não for usar a unidade por um longo período, tire o plugue de alimentação da tomada. Um minuto de corrente ainda flui mesmo que a alimentação tenha sido desligada (a alimentação está em standby).

## Instalação

---

- Não use a unidade perto de outros equipamentos eletrônicos, como uma TV, rádio ou telefone celular. Deixar de observar isso pode fazer que a unidade ou TV ou rádio produza um ruído.
- Não use a unidade em locais em que ela fique exposta à vibração ou poeira excessiva ou exposta à luz solar direta, ao calor extremo, como perto de um aquecedor, ou ao frio extremo. Deixar de observar isso pode causar a deformação do painel da unidade, o mau funcionamento dos componentes internos ou a instabilidade na operação.

## Conexões

---

- Se for conectar unidades externas, leia com atenção o manual de cada unidade e conecte-as de acordo com as instruções.

Se a unidade não for manuseada da forma adequada e de acordo com as instruções, ela talvez não funcione corretamente.

## Manuseio

---

- Não coloque produtos de plástico ou borracha em cima da unidade. Deixar de observar isso pode causar a deformação ou descoloração do painel da unidade.
- Se a temperatura ambiente mudar de maneira drástica, como durante o transporte da unidade ou em casos de aquecimento ou resfriamento rápidos, e se houver a possibilidade de condensação na unidade, não ligue a alimentação dela durante várias horas, até que ela esteja totalmente seca para o uso. Usar a unidade enquanto há condensação pode causar mau funcionamento.

## Manutenção

---

- Se a temperatura ou a umidade mudar drasticamente, gotas de água (condensação) podem se formar sobre a superfície da unidade. Se gotas de água se formarem, limpe imediatamente com um pano macio. Se gotas de água são deixadas na unidade, elas podem ser absorvido pelas partes de madeira, causando deformação.
- Quando for limpar a unidade, use um pano macio e seco. Usar produtos químicos, como benzina ou solvente, produtos de limpeza ou panos de limpeza com produtos químicos pode causar descoloração ou deformação.

## Informação

### Sobre o conteúdo do manual

---

- As ilustrações neste manual são apenas para fins instrutivos.
- Os nomes das empresas e dos produtos neste manual são as marcas comerciais ou as marcas comerciais registradas de suas respectivas empresas.

### ■ Sobre a placa de identificação da unidade

O número de modelo, número de série, requisitos de energia, etc. podem ser encontrados na placa de nome, que está na parte inferior da unidade. Anote-o no espaço reservado abaixo e guarde este manual como registro de compra permanente para auxiliar na identificação do produto em caso de roubo.

**N° do modelo**

---

**N° de série**

---

(bottom\_pt\_01)



# Conteúdo

## **Antes de começar** **6**

---

Características desta unidade .....	6
Sobre este manual .....	6
Verifique os acessórios fornecidos .....	7
Manuseando discos .....	7
<b>Componentes e suas funções</b> .....	<b>8</b>
Painel superior .....	8
Painel traseiro .....	9

## **Preparativos** **10**

---

<b>Posição</b> .....	<b>10</b>
<b>Montagem</b> .....	<b>10</b>
Montando a unidade .....	10
Prendendo a tampa contra poeira .....	12
<b>Fazendo conexões</b> .....	<b>13</b>
<b>Fazendo ajustes</b> .....	<b>14</b>
Ajustando da pressão da agulha .....	14
Ajustando a anti-patinação .....	16
<b>Ligando a alimentação</b> .....	<b>16</b>

## **Reprodução** **17**

---

### **Quando necessário** **20**

---

<b>Cuidados</b> .....	<b>20</b>
<b>Substituição</b> .....	<b>20</b>
Substituindo a correia .....	20
Substituindo a agulha .....	21
<b>Movendo esta unidade</b> .....	<b>21</b>
<b>Solucionando problemas</b> .....	<b>22</b>
<b>Especificações</b> .....	<b>24</b>



# Antes de começar

## Características desta unidade

---





Este é um toca-discos para reproduzir discos.

- **Gabinete de madeira com um acabamento brilhante**  
Proporciona beleza e vantagens práticas, tais como elevada rigidez e amortecimento de amortecimento de vibrações
- **Braço altamente rígido elimina qualquer efeito dos delicados sinais musicais**
- **Fácil mudar entre a saída LINE equipada com um circuito de PHONO EQ de alta qualidade e saída direta PHONO, proporcionando flexibilidade ao configurar seu sistema de reprodução de gravação**
- **Alta estabilidade rotacional obtida através de um prato de alumínio fundido acionado por correia por um motor CC de alto torque**
- **Margem de feedback mantida por isolantes (pés) que apresentam excelente absorção de choque e de vibração**

## Sobre este manual

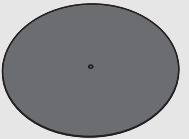
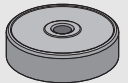
---

Ao ler este manual, observe o seguinte.

- ◆ As especificações e a aparência estão sujeitas a alterações sem aviso prévio, a fim de melhorar o produto.
- ◆ Explicação dos símbolos gráficos usados neste manual:
  - “ **ADVERTÊNCIA**” indica pontos que você deve observar para evitar o risco de morte ou ferimentos graves.
  - “ **CUIDADO**” indica pontos que você deve observar para evitar o risco de ferimentos.
  -  **AVISO** Indica pontos que você deve observar para evitar danificar o produto ou causar mau funcionamento.
  -  **OBSERVAÇÃO** Indica informações adicionais que você vai achar útil.

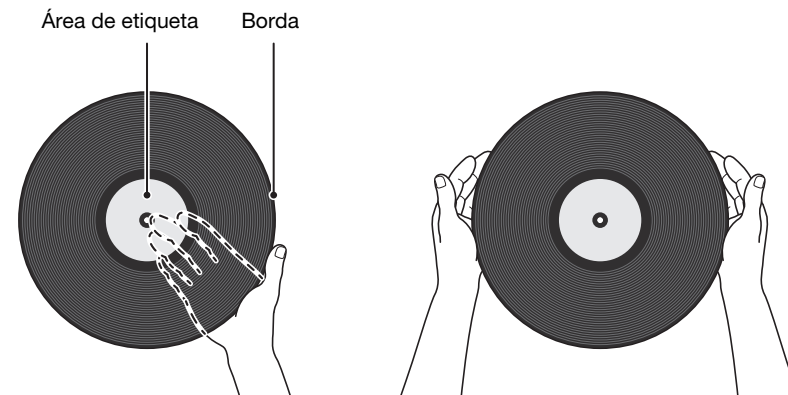
## Verifique os acessórios fornecidos

Certifique-se de que todos os itens estão presentes.

<input type="checkbox"/> Prato x1 	<input type="checkbox"/> Suporte do prato x1 	<input type="checkbox"/> Correia x1 <small>* A correia está instalado no prato.</small>
<input type="checkbox"/> Contrapeso x1 	<input type="checkbox"/> Cabeçote x1 (com cápsula) 	<input type="checkbox"/> Adaptador 45 rpm x1 
<input type="checkbox"/> Tampa contra poeira x1 	<input type="checkbox"/> Dobradiça da tampa contra poeira x2 	<input type="checkbox"/> Cabo estéreo RCA x1 
<input type="checkbox"/> Adaptador CA x1 <small>* Para mais detalhes, consulte o "suplemento" (folheto).</small>	<input type="checkbox"/> Manual do Proprietário (este manual) <input type="checkbox"/> Suplemento (folheto)	

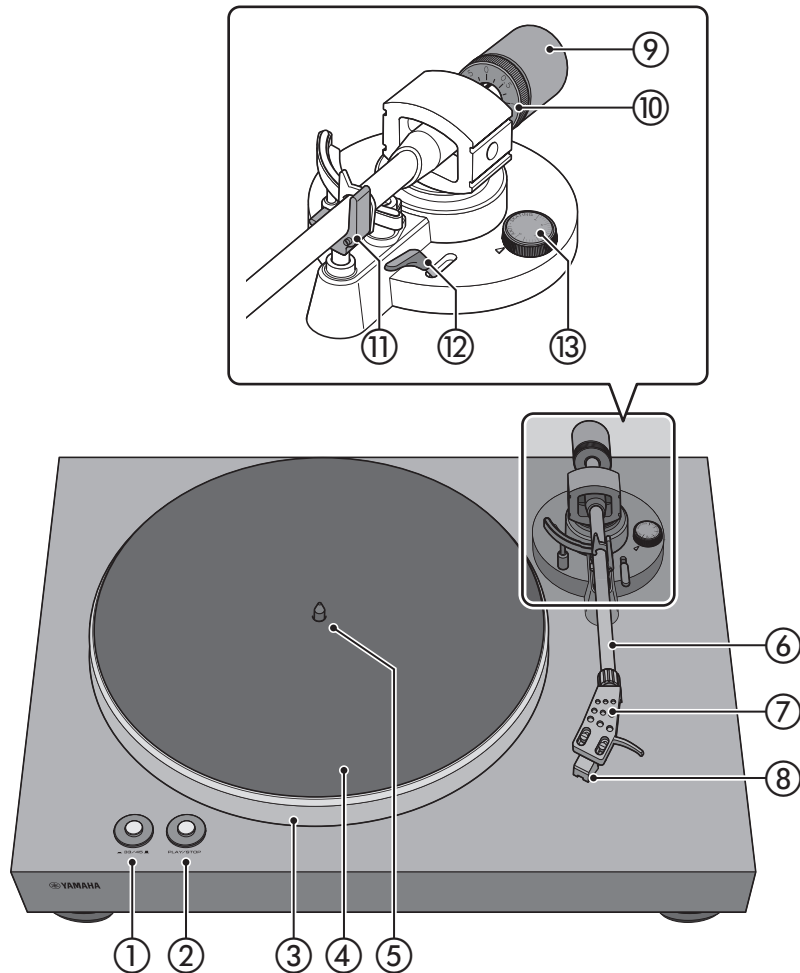
## Manuseando discos

Ao segurar um disco, você deve apoiar tanto a área da etiqueta do disco e a sua borda, ou manter as bordas do disco entre as suas duas mãos.



# Componentes e suas funções

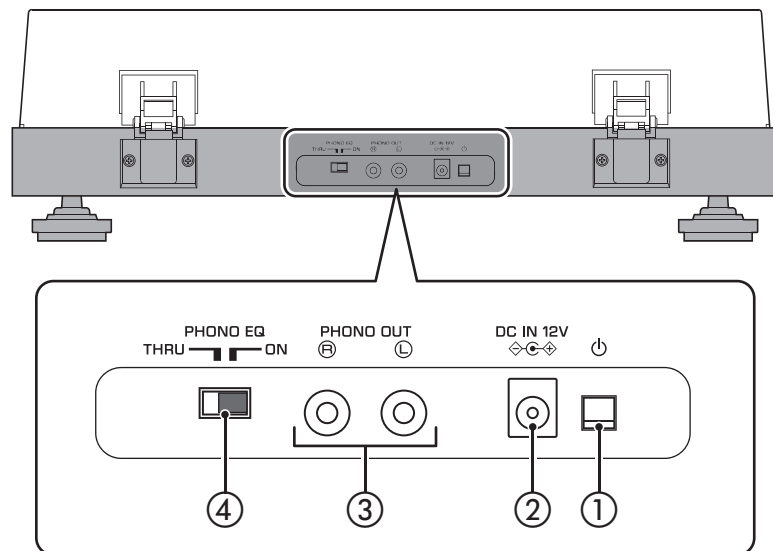
## Painel superior



- ① 33/45 (velocidade) (⇒ página 17)
- ② PLAY/STOP (reproduzir/parar) (⇒ página 17)
- ③ Prato (⇒ página 10)
- ④ Suporte do prato (⇒ página 11)
- ⑤ Pino central (⇒ página 10)
- ⑥ Braço (⇒ página 11)
- ⑦ Cabeçote (⇒ página 11)
- ⑧ Cápsula
- ⑨ Contrapeso (⇒ página 11)
- ⑩ Anel do contrapeso (⇒ página 15)
- ⑪ Suporte do braço (⇒ página 14)
- ⑫ Alavanca de suspensão (⇒ página 18)
- ⑬ Anti-patinação (⇒ página 16)



## Painel traseiro



### ① **⏻ (alimentação)**

Liga/desliga a alimentação da unidade. (⇒ página 16)

: ligado

: desligado

### ② **Conector de DC IN**

Conecta o adaptador CA (fornecido) neste conector. (⇒ página 13)

### ③ **Conectores de PHONO OUT**

Esses conectores liberam o áudio reproduzido do disco. (⇒ página 13)

### ④ **Interruptor PHONO EQ (equalizador fono)**

Conforme apropriado para o dispositivo conectado, configure para mudar o sinal que sai dos conectores PHONO OUT. (⇒ página 13)

# Preparativos

## Posição

Devido a reprodução do disco ser facilmente afetada por vibrações, coloque a unidade em um local onde não esteja sujeito a vibrações externas. Coloque suficientemente longe de seu sistema de alto-falantes, de modo que não irá ser afetado pela pressão de som ou vibração.

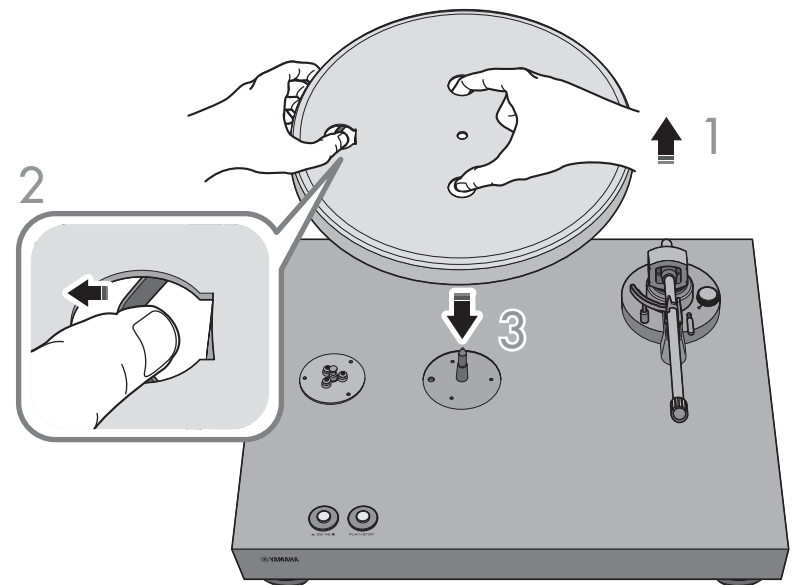
## Montagem

### Montando a unidade

- 1 Levante o prato.
- 2 Alcançando o furo redondo no prato, puxe a correia para fora enganchando com seu dedo.
- 3 Insira o prato no pino central.

#### CUIDADO

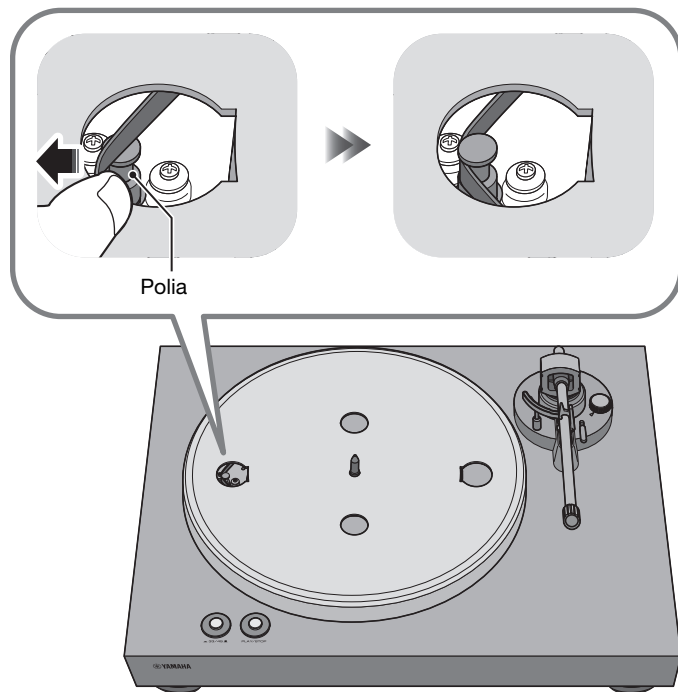
- ◆ Tome cuidado para não deixar o prato cair. A queda pode causar ferimentos ou pode danificar a unidade.



**4** Alinhe o furo redondo do prato com a polia.

**5** Use o seu dedo para enganchar a correia na polia.

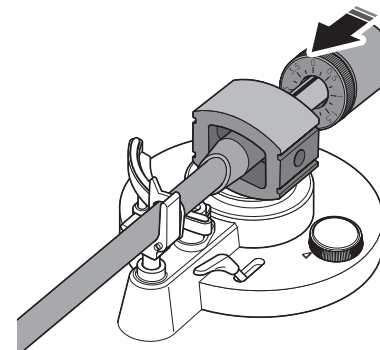
Tome cuidado para que o correia não esteja torcida. Depois de enganchar a correia na polia, gire o prato várias vezes para garantir que a correia esteja no lugar correto.



**6** Coloque o suporte do prato sobre o prato.

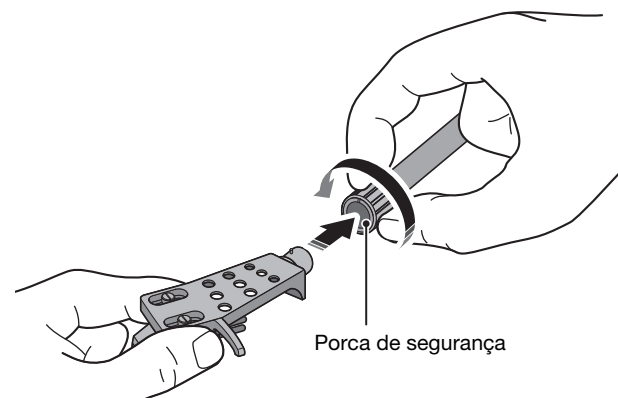
**7** Prenda o contrapeso do braço.

Com as marcas do contrapeso voltado para você, deslize-o pela extremidade traseira do braço.



**8** Prenda o cabeçote no braço.

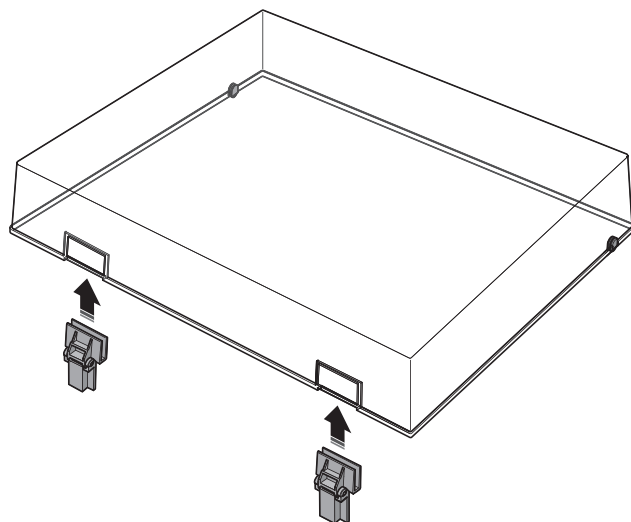
Insira o cabeçote na extremidade dianteira do braço e gire a porca de segurança para prendê-lo.



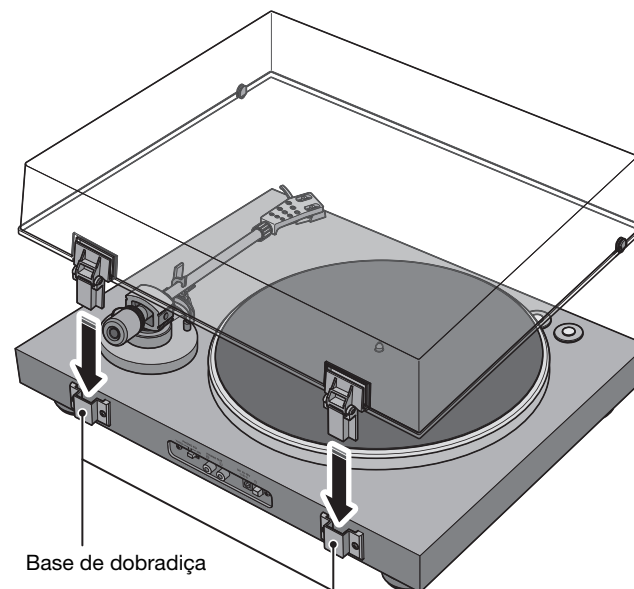
## Prendendo a tampa contra poeira

A tampa protege esta unidade contra a poeira, etc.

- 1 Insira as dobradiças nos locais apropriados nos dois lados da tampa contra poeira.



- 2 Prenda a tampa contra poeira, inserindo as dobradiças em suas bases situadas no painel traseiro da unidade.



### OBSERVAÇÃO

- ◆ Para remover a tampa contra poeira, segure os seus lados desta e levante lentamente para cima para removê-la junto com as dobradiças.

### ! CUIDADO

- ◆ Tome cuidado para não prender as mãos ou os dedos ao abrir ou fechar a tampa contra poeira

# Fazendo conexões

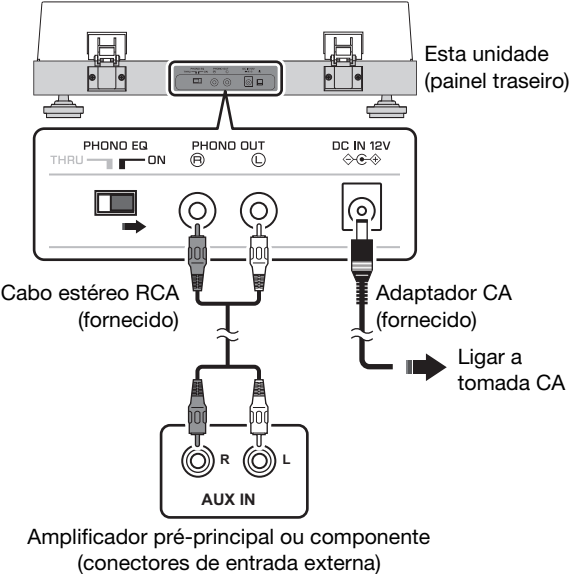
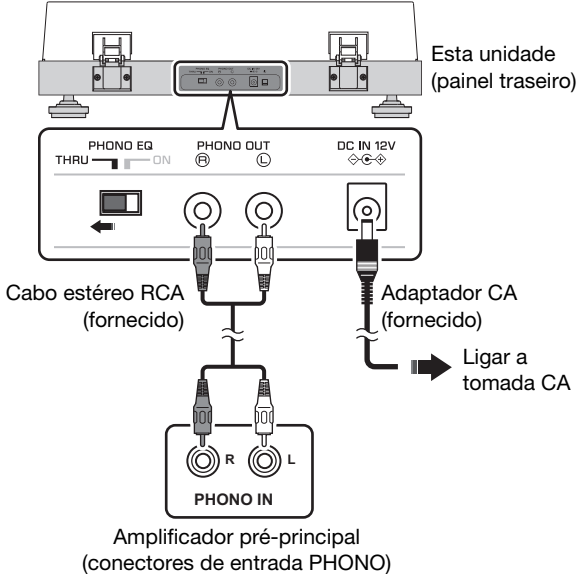


## CUIDADO

- ◆ Finalize todas as outras conexões antes de conectar o adaptador CA (fornecido) à tomada elétrica.

## OBSERVAÇÃO

- ◆ Consulte também o manual do proprietário do dispositivo que você está se conectando.

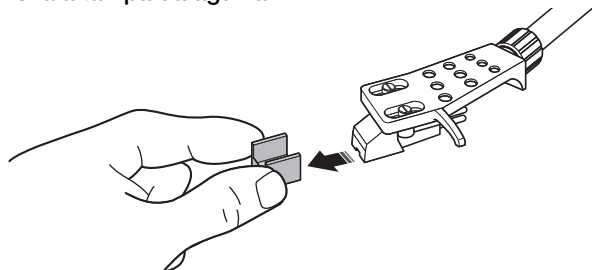
<p><b>Dispositivos conectados</b></p>	<ul style="list-style-type: none"> <li>• Dispositivos não equipados com conectores de entrada PHONO</li> </ul>  <p>Esta unidade (painel traseiro)</p> <p>PHONO EQ THRU — ON</p> <p>PHONO OUT</p> <p>DC IN 12V</p> <p>Cabo estéreo RCA (fornecido)</p> <p>Adaptador CA (fornecido)</p> <p>Ligar a tomada CA</p> <p>AUX IN</p> <p>Amplificador pré-principal ou componente (conectores de entrada externa)</p>	<ul style="list-style-type: none"> <li>• Dispositivos equipados com conectores de entrada PHONO</li> </ul>  <p>Esta unidade (painel traseiro)</p> <p>PHONO EQ THRU — ON</p> <p>PHONO OUT</p> <p>DC IN 12V</p> <p>Cabo estéreo RCA (fornecido)</p> <p>Adaptador CA (fornecido)</p> <p>Ligar a tomada CA</p> <p>PHONO IN</p> <p>Amplificador pré-principal (conectores de entrada PHONO)</p>
<p><b>Configuração do interruptor EQ PHONO</b></p>	<p><b>ON (padrão)</b></p>	<p><b>THRU</b></p>
<p><b>Função do equalizador desta unidade</b></p>	<p><b>Ativado</b></p> <p>O sinal da cápsula é amplificado pelo equalizador fono que é montado nesta unidade e é liberado dos conectores PHONO OUT.</p>	<p><b>Desativado</b></p> <p>O sinal da cápsula é liberado diretamente dos conectores de PHONO OUT.</p>

# Fazendo ajustes

## Ajustando da pressão da agulha

Ajuste o braço de modo que a pressão adequada da agulha seja aplicada no disco.

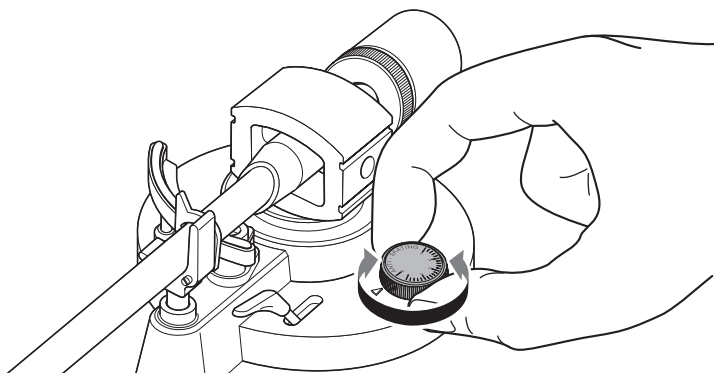
1 Remova a tampa da agulha.



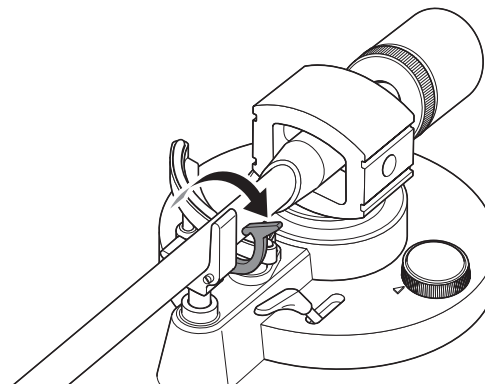
### AVISO

- ◆ Tome cuidado para que a tampa da agulha ou o seu dedo não entrem em contato com a agulha.

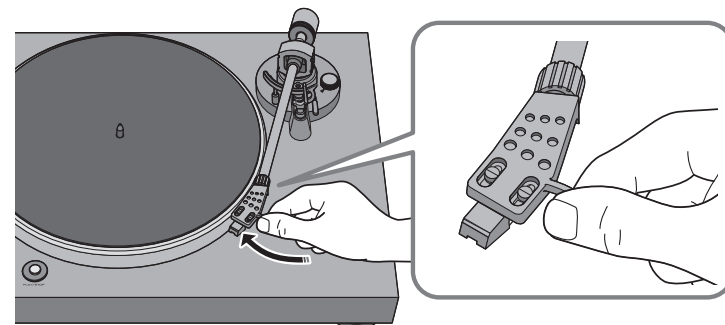
2 Coloque o ajuste anti-patinação na posição "0".



3 Solte a trava do braço.



4 Mova o braço para fora do seu suporte e levemente para a esquerda.



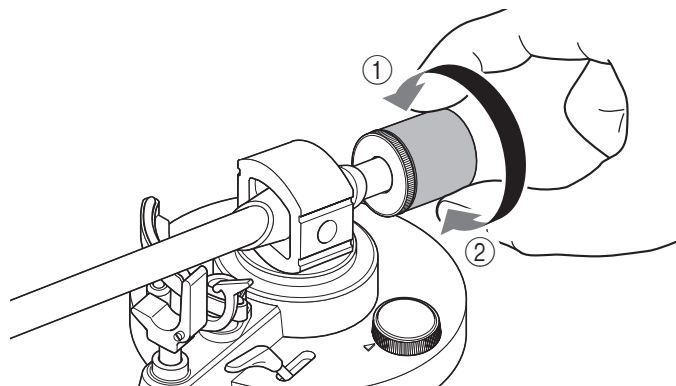
### AVISO

- ◆ Tome cuidado para que a agulha não entre em contato com qualquer parte da unidade.

## 5 Gire o contrapeso de modo que o braço esteja na horizontal.

Na direção ①: Contrapeso move no sentido para dentro do braço.

Na direção ②: Contrapeso move no sentido para fora do braço.



**Certo**



Braço está na horizontal (equilibrado)

**Errado**



Contrapeso está muito para dentro

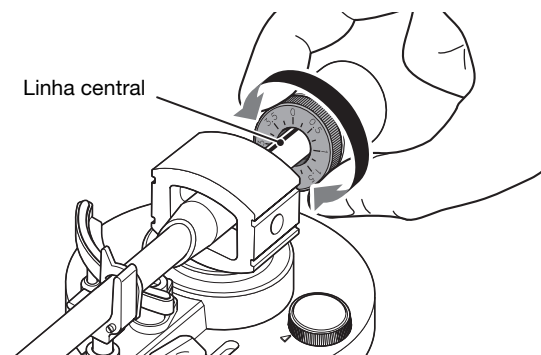
**Errado**



Contrapeso está muito para fora

## 6 Retorne o braço para o suporte e trave-o no lugar.

## 7 Gire o anel do contrapeso para que a marca "0" esteja alinhada com a linha central na extremidade traseira do braço.

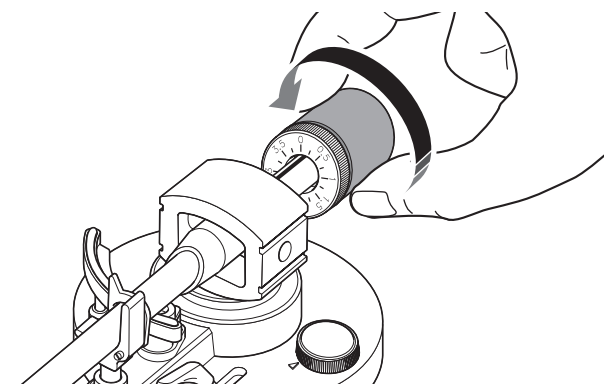


### OBSERVAÇÃO

- ◆ Ao girar o anel do contrapeso, use seus dedos para pressionar o contrapeso para que ele não gire.

## 8 Girando o contrapeso, coloque as marcações deste na pressão da agulha especificada para a cápsula.

A pressão especificada da agulha para a cápsula fornecida é de 3,5 g.



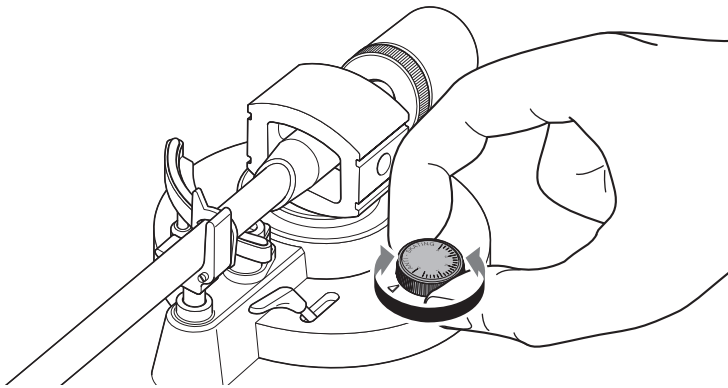
### OBSERVAÇÃO

- ◆ Girar o contrapeso também gira o anel deste.

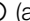
## Ajustando a anti-patinação

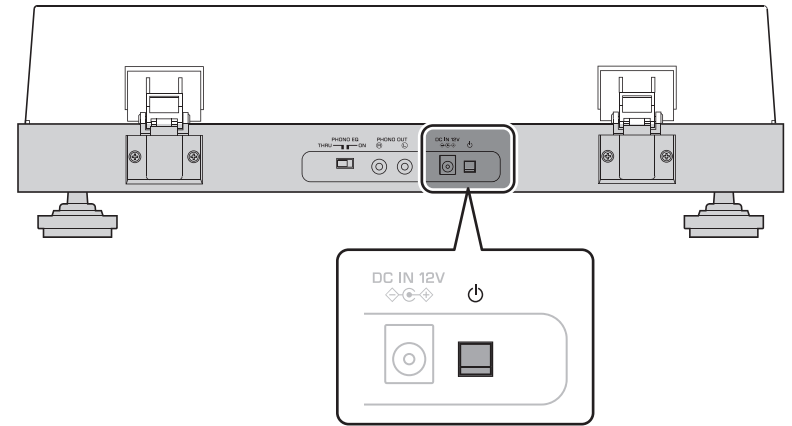
Como o prato gira, a ponta da agulha gera uma força que a empurra para o centro de rotação. Caso o valor da anti-patinação é colocada no mesmo valor da pressão da agulha, é gerada uma força que puxa a ponta da agulha para fora do centro de rotação, onde as duas anulam-se mutuamente.

- 1 Gire a anti-patinação para o mesmo valor da pressão da agulha da cápsula.



## Ligando a alimentação

No painel traseiro da unidade, pressione  (alimentação) para ligar a alimentação da unidade.





# Reprodução

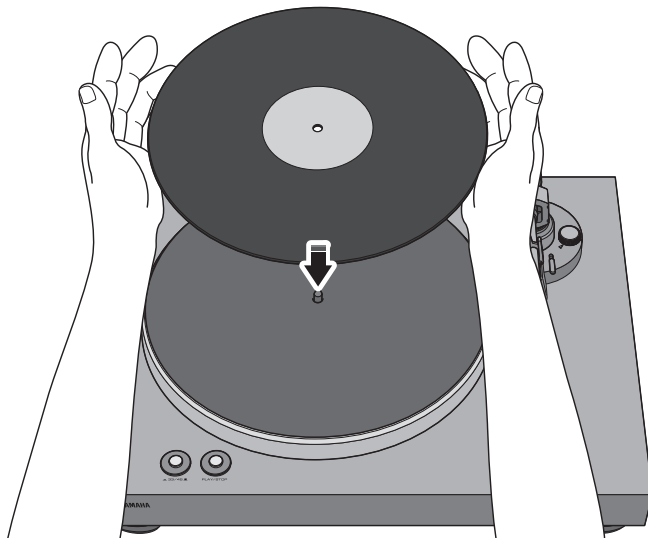
## ■ Iniciar a reprodução

### ! CUIDADO

- ◆ Caso toque um disco sem abaixar suficientemente o volume do amplificador, um som alto pode ocorrer quando a ponta da agulha entrar em contato com o disco. Isso pode causar perda de audição e pode danificar seu amplificador e alto-falante, por isso certifique-se de baixar o volume do amplificador.

### 1 Abra a tampa contra poeira e coloque o disco no prato.

Caso esteja tocando um disco de 45 rpm, utilize o adaptador 45 rpm fornecido.

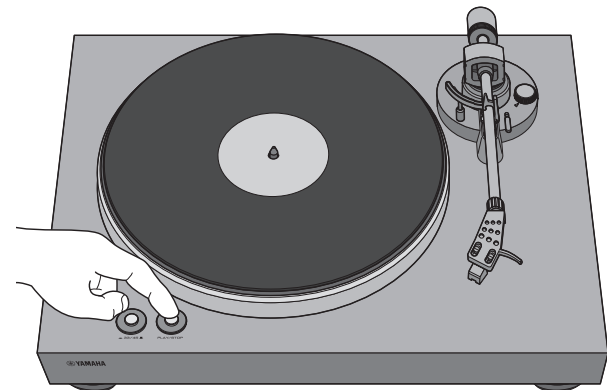


### 2 Pressione 33/45 (velocidade) para selecionar a velocidade adequada para o disco.

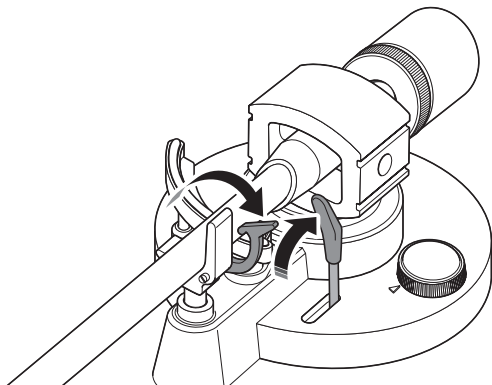
 : 33 1/3 rpm       : 45 rpm

### 3 Pressione PLAY/STOP (reproduzir/parar).

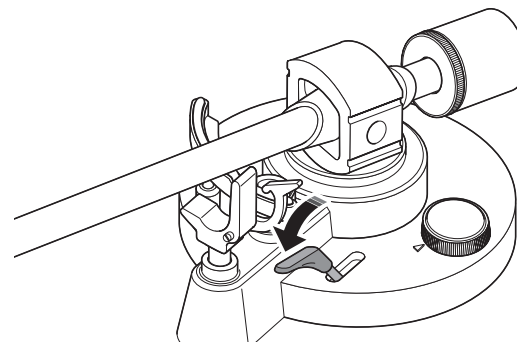
O prato gira.



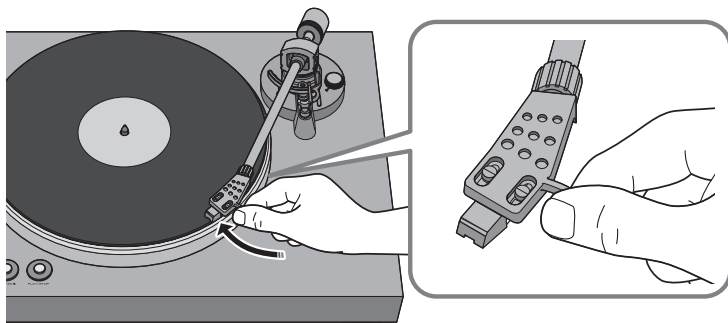
- 4** Libere a trava do braço e levante a alavanca de suspensão.



- 6** Abaixe a alavanca de suspensão.  
O braço é abaixado e a reprodução é iniciada.



- 5** Mover o braço para a posição de reprodução do disco.



## ■ Pausar a reprodução

Caso você levante a alavanca de suspensão, o braço levanta e faz uma pausa na reprodução.

Quando você abaixar a alavanca de suspensão, a reprodução é retomada.

## ■ Parar a reprodução

- 1 Levante a alavanca de suspensão.
- 2 Retorne o braço para o seu suporte.
- 3 Abaixar a alavanca de suspensão.
- 4 Pressione PLAY/STOP (reproduzir/parar).  
O prato para de girar.
- 5 Trave o braço.

### OBSERVAÇÃO

- ◆ O braço não sobe automaticamente quando o disco termina de tocar.
- ◆ Caso você não esteja usando a unidade por um tempo, coloque a tampa da agulha para protegê-la.

# Quando necessário

## Cuidados

---

### ■ Cuidados com esta unidade

Limpe com um pano macio e seco. Não use produtos químicos, tais como gasolina ou tiner, pois eles podem danificar a superfície.

### ■ Cuidados com a agulha

A ponta da agulha é extremamente delicada. Manuseie com cuidado para que não seja danificada. Caso poeira esteja aderida na agulha, use um pincel de ponta macia para limpar, começando da base da agulha e movendo em direção à ponta, ou use um limpador comercializado para este propósito.

### ■ Cuidados com os discos

Sujeira aderida a um disco pode causar pulos ou ruídos. Use um limpador de disco comercializado para remover a sujeira.

## Substituição

---

### Substituindo a correia

Dependendo das condições de uso, a correia pode desgastar ou quebrar. Caso isso ocorra, substitua a correia. Para uma correia sobressalente, contate o representante Yamaha autorizado ou centro de serviços mais próximo.

- 1 **Desligue esta unidade, os dispositivos conectados e desconecte o adaptador CA desta unidade da tomada elétrica.**
- 2 **Retire o suporte do prato.**
- 3 **Remova a correia da polia.**
- 4 **Coloque seus dedos nos orifícios redondos do prato, levantando-o.**



#### **CUIDADO**

- ◆ Tome cuidado para não deixar o prato cair. A queda pode causar ferimentos ou pode danificar a unidade.

- 5 **Vire o prato e remova a correia.**
- 6 **Instale a correia sobressalente no prato.**  
Tome cuidado para que o correia não esteja torcida.
- 7 **Instale o prato nesta unidade.**  
Para detalhes sobre a instalação, consulte “Montagem” na página 10.

## Substituindo a agulha

Quando a ponta da agulha estiver desgastada ou danificada, substitua imediatamente.

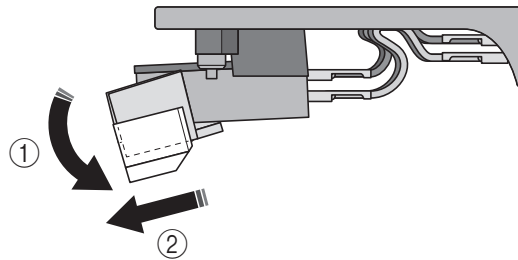
Como agulha para substituição, adquira uma agulha ATN3600L produzida pela Audio-Technica.

### CUIDADO

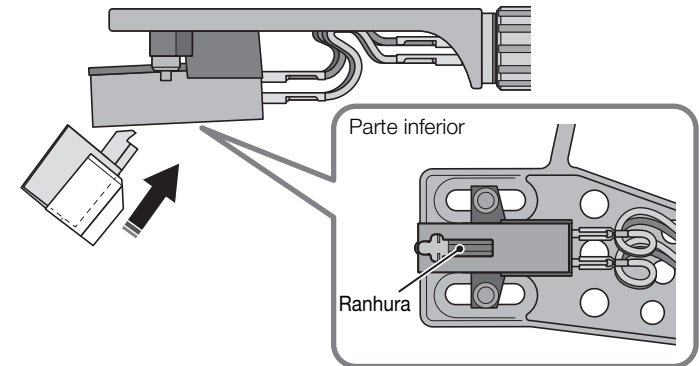
- ◆ Prenda a tampa da agulha antes de substituí-la. A ponta da agulha pode feri-lo ou ele ser danificada.
- ◆ Tome cuidado para que crianças não engulam a agulha quando removida.

1 Desligue esta unidade, os dispositivos conectados e desconecte o adaptador CA desta unidade da tomada elétrica.

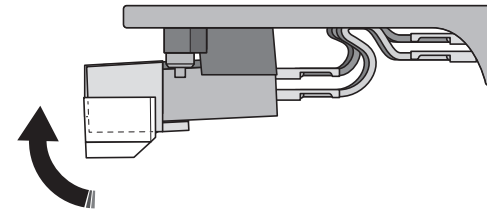
2 Ao usar os dedos para segurar o corpo da cápsula, pressione a agulha para baixo, na direção ①, e puxe-o na direção ② para removê-la.



3 Ao usar os dedos para segurar o corpo da cápsula, insira a aba da agulha sobressalente na ranhura na parte inferior da cápsula.



4 Pressione a agulha para cima até ouvir um clique.





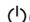

## Movendo esta unidade

Ao mover esta unidade, trave o braço para que não se mova.

# Solucionando problemas

Se a unidade parar de funcionar corretamente, verifique os seguintes pontos.

Caso tomar a ação apropriada não resolva o problema ou se houver um problema que não esteja listado abaixo, pressione o botão  (alimentação) localizado no painel traseiro da unidade para desligar a alimentação, desconecte o cabo de alimentação e entre em contato com o representante Yamaha autorizado ou o centro de serviço mais próximo.

Problema	Causa	Medida	Página de referência
<b>Pressionar  (alimentação) não liga a energia.</b>	O adaptador CA foi removido do conector de DC IN desta unidade ou da tomada elétrica, ou não está firmemente conectado.	Conecte firmemente o adaptador CA no conector de DC IN desta unidade e na tomada elétrica.	13
<b>O prato não gira.</b>	A correia não está corretamente posicionada no prato e a polia ou a correia se soltou.	Fixe a correia corretamente no prato e na polia.	10
	 (alimentação) não está ligada.	Ligar  (alimentação).	16
<b>Sem som.</b>	O cabeçote não está corretamente preso ao braço.	Prenda o cabeçote corretamente no braço.	11
	O cabo estéreo RCA não está conectado corretamente.	Conecte o cabo estéreo RCA corretamente.	13
	A configuração de silenciamento do amplificador está ativada.	Desativar a configuração de silenciamento do amplificador.	–
<b>Volume é muito baixo ou muito alto.</b>	A configuração da cápsula do amplificador ou o equalizador fono não está correta.	Configure corretamente a cápsula do amplificador ou o equalizador fono para o tipo de cápsula que você está utilizando (MM ou MC).	–
	O PHONO EQ não está configurado corretamente.	Configure corretamente o PHONO EQ do dispositivo que está conectado.	13
<b>Algo está errado com o equilíbrio esquerdo e direito do som.</b>	O toca-discos está inclinado.	Coloque o toca-discos em um local nivelado.	–
<b>A velocidade de reprodução está errada.</b>	A configuração da velocidade não está correta.	Configure a velocidade (33/45) corretamente. Esta unidade não é compatível com reprodução de discos SP (78 rpm).	17

Problema	Causa	Medida	Página de referência
<b>Um zumbido é ouvido.</b>	O cabo estéreo RCA não está conectado corretamente.	Conecte o cabo estéreo RCA corretamente.	13
	O cabeçote não está firmemente fixado ao braço.	Utilize a porca de segurança para fixar firmemente o cabeçote no braço.	11
<b>Ocorrência de pulos. Ocorrência de ruídos. O som está distorcido.</b>	A pressão da agulha não está ajustada corretamente.	Configure as marcações do contrapeso na pressão especificada da agulha para a cápsula.	14
	O disco está riscado ou deformado.	Não utilize discos riscados ou deformados.	–
	O disco está sujo.	Use um limpador de disco comercializado para limpá-lo.	–
	O disco é carregado com eletricidade estática.	Use uma escova anti-estática para remover a carga estática.	–
	A agulha está suja.	Remova a sujeira da agulha.	20
	A agulha está desgastada.	Substitua a agulha.	21
<b>Ocorrência de microfonia.</b>	A unidade está colocada em um local sujeito a vibrações.	Coloque a unidade em um local nivelado que não está sujeito a vibrações.	–
	A unidade está muito perto dos alto-falantes.	Coloque a unidade afastada dos alto-falantes.	–
	O volume de reprodução está muito alto.	Ajuste o volume da amplificador.	–

# Especificações

---

As especificações desta unidade são as seguintes.

## Seção do prato

Método de operação . . . . .	Operação por correia
Motor . . . . .	Motor CC
Velocidade de rotação . . . . .	33 1/3 rpm, 45 rpm
Variação da Velocidade de rotação . . . . .	±2%
Distorções na qualidade do som . . . . .	.0,2%
Prato . . . . .	Alumínio fundido
	Diâmetro de 30 cm

## Seção do braço

Tipo . . . . .	Braço reto de equilíbrio estático
Comprimento efetivo do braço . . . . .	223,5 mm
Faixa de ajuste de pressão da agulha . . . . .	0–4 g
Peso aceitável da cápsula . . . . .	15,5–19 g (incluindo o cabeçote)
Ressalto . . . . .	19 mm

## Seção da cápsula

Tipo . . . . .	Tipo MM
Tensão de saída . . . . .	2,5 mV (1 kHz, 3,54 cm/seg.)
Pressão da agulha . . . . .	.3,5 ±0,5 g
Peso da cápsula . . . . .	.5,0 ±0,3 g
Altura da cápsula . . . . .	17,0 ±0,7 mm
Peso do cabeçote . . . . .	10 g (incluindo parafusos, porcas e fios)

## Seção de Áudio

Nível de saída	
PHONO EQ THRU (1 kHz, 3,54 cm/seg.) . . . . .	2,5 mV ±3 dBV
PHONO EQ ON . . . . .	140 mV (–17 dBV)
Relação sinal-ruído (A-ponderada, 20 kHz LPF) . . . . .	67 dB ou maior
Conectores de saída . . . . .	PHONO OUT × 1 (RCA desbalanceado)

## Geral

Fonte de alimentação do adaptador CA	
Entrada . . . . .	CA 100–240 V 50/60 Hz
Saída . . . . .	12 V 0,5 A
Consumo de energia	
Enquanto ligado . . . . .	1,5 W
Enquanto desligado . . . . .	.0,1 W
Peso . . . . .	4,8 kg
Dimensões (largura × altura × profundidade). . . . .	450 × 136 × 368 mm (incluindo pés e saliências)

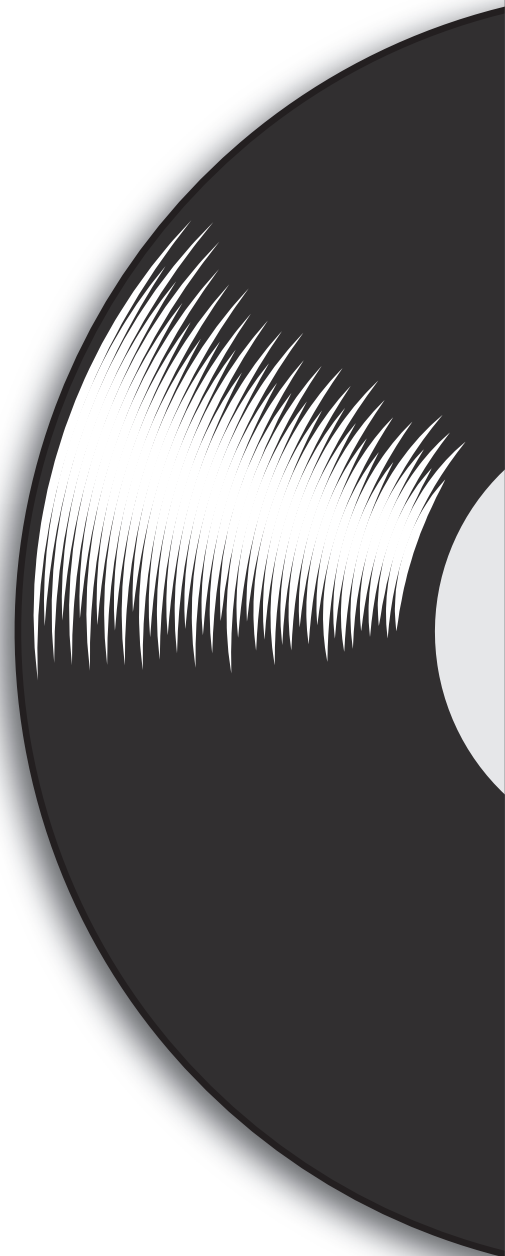
- ♦ O conteúdo deste manual se aplica às especificações mais recentes a partir da data de publicação. Para obter o manual mais recente, acesse o site da Yamaha e faça o download do arquivo do manual.











YAMAHA CORPORATION

10-1 Nakazawa-cho, Naka-ku, Hamamatsu, 430-8650 Japan

Yamaha Global Site  
<https://www.yamaha.com/>  
Yamaha Downloads  
<https://download.yamaha.com/>

Manual Development Group  
© 2018 Yamaha Corporation

Published 08/2018 IPOD-A0

AV17-0338