

YAMAHA YST-7

TableTop Stereo System

Système stéréo de table

Tisch-Stereosystem

Bordsstereosystem

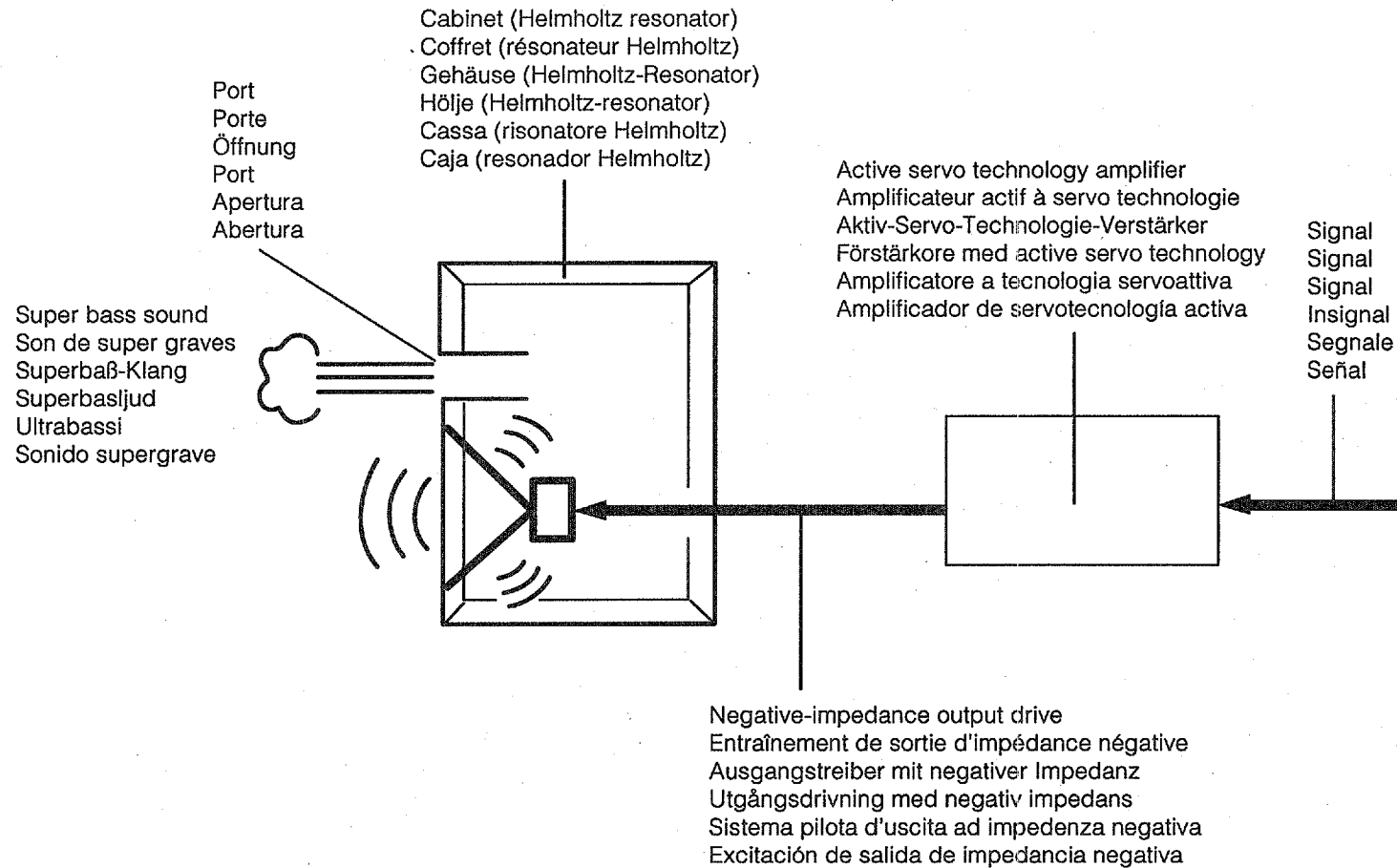
Sistema stereo da tavolo

Sistema Exterofónico de Mesa

This system consists of AM/FM Stereo Receiver YST-R7 and Speaker System YST-SB7.
Ce système est constitué de l'ampli-sintoniseur stéréo AM/FM YST-R7 et du système de haut-parleurs YST-SB7.
Dieses System besteht aus dem MW/UKW-Stereo-Receiver YST-R7 und dem Lautsprechersystem YST-SB7.
Detta system består av AM/FM stereoreceiver YST-R7 och högtalare YST-SB7.
Questo sistema consiste di un sintonizzatore AM/FM stereo YST-R7 e di due diffusori YST-SB7.
Este sistema consiste en un receptor estéreo de AM/FM YST-R7 y un sistema de altavoces YST-SB7.

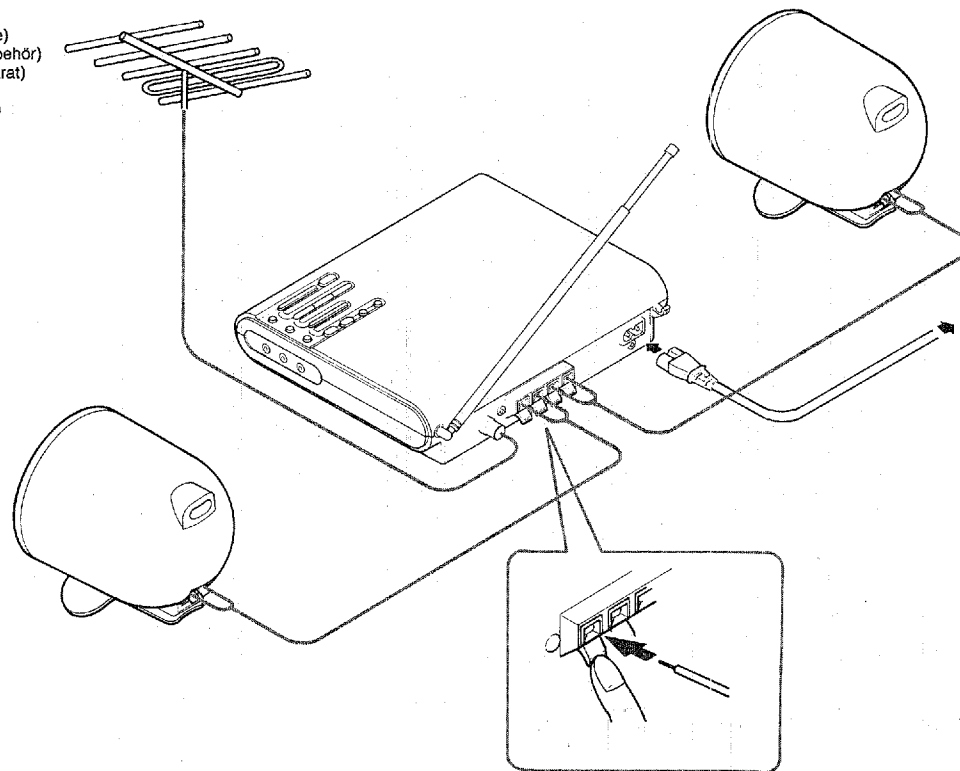
CENTER

**OWNER'S MANUAL
MODE D'EMPLOI
BEDIENUNGSANLEITUNG
BRUKSANVISNING
MANUALE DELL'UTENTE
MANUAL DE INSTRUCCIONES**



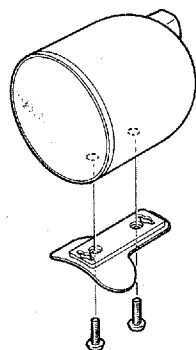
2

External FM antenna (optional)
 Antenne FM externe (optionnelle)
 UKW-Außenantenne (Sonderzubehör)
 FM utomhusantenn (köpes separat)
 Antenna FM esterna (opzionale)
 Antena de FM externa (opțional)

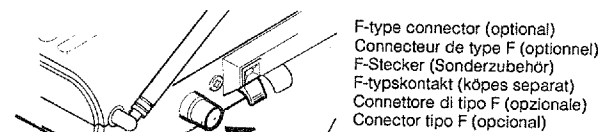


To a wall AC outlet
 Vers une prise CA murale
 zur Netzsteckdose
 Till ett vägguttag
 Ad una presa a muro
 A la toma de CA de la pared

3



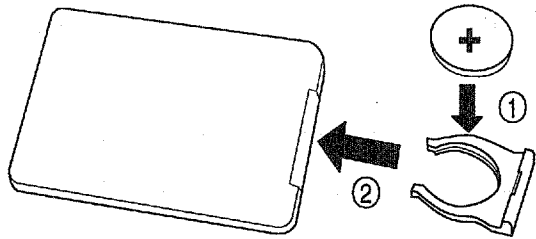
4



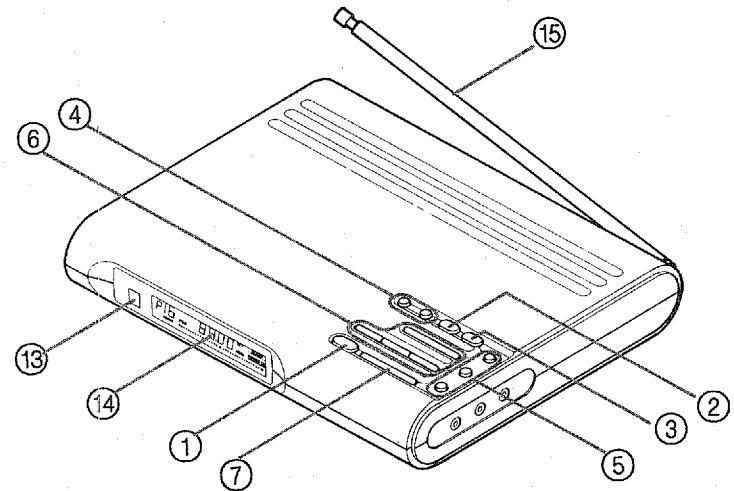
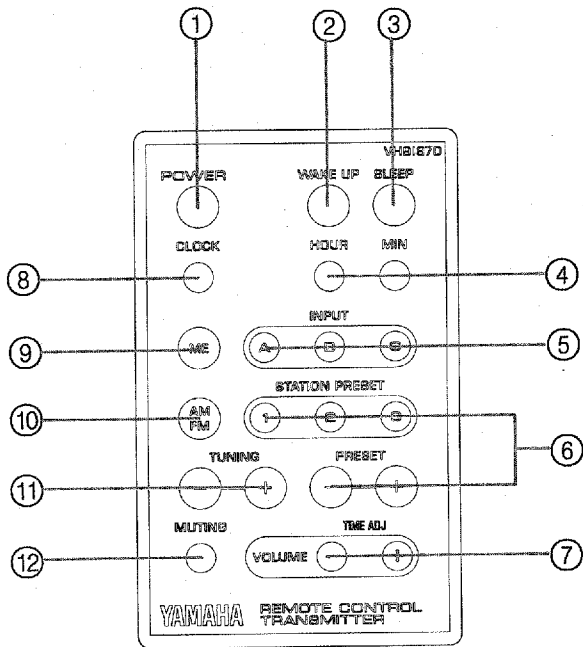
F-type connector (optional)
 Connecteur de type F (optionnel)
 F-Slecker (Sonderzubehör)
 F-typskontakt (köpes separat)
 Connettore di tipo F (opzionale)
 Conector tipo F (opțional)

To external FM antenna
 Vers une antenne FM externe
 zur UKW-Außenantenne
 Till FM utomhusantenn
 All'antenna FM esterna
 A la antena de FM externa

5



6



- Thank you for purchasing the YAMAHA YST-7 AM/FM Stereo Receiver System.

CAUTION: READ THIS BEFORE OPERATING YOUR YST-7

- 1.** To ensure the finest performance, please read this manual carefully. Keep it in a safe place for future reference.
- 2.** Install your unit in a cool, dry, clean place — away from windows, heat sources, and too much vibration, dust, moisture, or cold. Avoid sources of hum (transformers, motors.). To prevent fire or electrical shock, do not expose to rain and water.
- 3.** Never open the cabinet. If a foreign object drops into the set, contact your dealer.
- 4.** Do not use force on switches, knobs or cords. When moving the unit, first disconnect the power plug and the cords connecting the other equipment. Never pull the cord itself.
- 5.** Do not attempt to clean the unit with chemical solvents; this might damage the finish. Use a clean, dry cloth.
- 6.** Be sure to read the "troubleshooting" section on common operating errors before concluding that your unit is faulty.
- 7.** Grounding or polarization — The precautions should be taken so that the grounding or polarization of an appliance is not defeated.
- 8.** If your unit has a voltage selector (General model only), check that it is set to your local voltage before you plug it in. If not properly set, reset the switch to indicate your supply voltage.

IMPORTANT

Please record the serial number of your unit in the space below.

Model: **YST-7**
Serial No.:

The serial numbers are located on the bottom of the units. Retain this Owner's Manual in a safe place for future reference.

WARNING

TO REDUCE THE RISK OF FIRE OR ELECTRIC SHOCK, DO NOT EXPOSE THIS APPLIANCE TO RAIN OR MOISTURE.

CAUTION FOR CANADA MODEL

TO PREVENT ELECTRIC SHOCK DO NOT USE THIS (POLARIZED) PLUG WITH AN EXTENSION CORD, RECEPTACLE OR OTHER OUTLET UNLESS THE BLADES CAN BE FULLY INSERTED TO PREVENT BLADE EXPOSURE.

THIS APPARATUS COMPLIES WITH THE "CLASS B" LIMITS FOR RADIO NOISE EMISSIONS SET OUT IN RADIO INTERFERENCE REGULATIONS.

Special Instructions for U.K. Model

IMPORTANT

The wires in the mains lead are coloured in accordance with the following code:

Blue: NEUTRAL
Brown: LIVE

As the colours of the wires in the mains lead of this apparatus may not correspond with the coloured markings identifying the terminals in your plug, proceed as follows. The wire which is coloured BLUE must be connected to the terminal which is marked with the letter N or coloured BLACK. The wire which is coloured BROWN must be connected to the terminals which is marked with the letter L or coloured RED.

VOLTAGE SELECTOR (for General model)

The voltage selector at the rear must be set to your local line voltage BEFORE plugging in the AC mains supply. The voltages are 110~120V/220~240V AC, 50/60 Hz.

FREQUENCY STEP SWITCH (for General model)

The FREQ STEP switch at the rear should be set to your proper position.

THE ACTIVE SERVO TECHNOLOGY SYSTEM

(See Fig. 1.)

The theory of the Active Servo Technology system is based upon two major factors, the Helmholtz resonator and negative-impedance drive. Active Servo Technology speakers reproduce the bass frequencies through a port, which is a small port or opening in the speaker's cabinet. This opening is used instead of, and performs the functions of, a woofer in a conventionally designed speaker system. Thus, signals of low amplitude within the cabinet can, according to the Helmholtz resonance theory, be output from this opening as waves of great amplitude if the design is such that the size of the opening and the volume of the cabinet are in the correct proportion to satisfy a certain ratio.

In order to accomplish this, moreover, the amplitudes within the cabinet must be both precise and of sufficient power because these amplitudes must overcome the "load" presented by the air that exists within the cabinet.

Thus it is that this problem is resolved through the employment of a design in which this AM/FM Stereo Receiver functions to supply the signals. If the electrical resistance of the voice coil is reduced to zero, the movement of the speaker unit would become linear with respect to signal voltage, and, to accomplish this, a special negative-impedance output-drive amplifier for subtracting output impedance of the receiver is used.

By employing negative-impedance drive circuits, this receiver is able to generate precise, low-amplitude low-frequency waves with superior damping characteristics, and these waves are then radiated from the cabinet opening as high-amplitude signals. The system can, therefore, by employing the negative-impedance output drive amplifier and a speaker cabinet with the Helmholtz resonator, reproduce an extremely wide range of frequencies (45 Hz ~ 18 kHz) with amazing sound quality and less distortion.

The features described above, are combined to the fundamental structure of the Active Servo Technology system.

SUPPLIED ACCESSORIES

After unpacking, check that the following parts are included.

- Card-type Remote Control Unit 1
- Battery (CR2025) 1
- AC Cord 1
- Speaker Cables 2
- Mini-plug Cables 1
- Speakers 2
- Speaker Stands 2

CONNECTIONS

(See Fig. 2.)

SPEAKERS

■ SPEAKER STAND ASSEMBLY

(See Fig. 3.)

Align the speakers screw holes and the stand screw holes. Attach the speakers to the stand by securing the two screws.

■ SPEAKER CONNECTION

Connect the input terminals on the back of the speakers to the receiver's SPEAKERS terminals with the supplied speaker cords. Make sure to connect the left speaker cables to the L terminals and the right speaker cables to the R terminals, making sure that the polarity (+ and -) markings are observed. If the polarity is reversed at either speaker, the sound will be distorted and will lack bass.

To connect, press the speaker terminal lever and insert the bare end of the speaker cable into the terminal opening. The cord will be set when the lever is depressed. Lightly pull the speaker cables to make sure that the cables are properly connected.

SOURCE A, B AND C

Connect the output jack of audio source to the INPUT A, B, or C jack using the supplied mini-plug cable. Note that the audio connections for source A, B, and C may comprise of compact disc player, cassette tape, etc.

POWER CABLE

Connect the one plug of supplied power cord to the MAINS AC INLET at the rear and the other plug to the wall AC outlet.

LINE OUTPUT

Connect the LINE OUTPUT jack to an optionally available power amplifier, cassette deck (for recording) etc. using the supplied mini-plug cable.

EXTERNAL FM ANTENNA

When the FM reception is not possible, connect an external antenna to the external antenna jack at the rear.

NOTE

For better AM reception, try to ground the unit using the screw (GND) located nearby external antenna jack.

INSTALLATION PRECAUTION

The unit generates heat during operation. Be sure to install the unit in a cool and dry place. Do not place the unit in a place subject to direct sunlight.

USING THE REMOTE CONTROL TRANSMITTER

The remote control transmitter supplied with your receiver is designed to control all the features of the receiver. Note that features such as the clock, memory, AM/FM, tuning (auto or manual), and muting functions are controllable only from the remote control transmitter.

BATTERY INSTALLATION

(See Fig. 4.)

The remote control transmitter uses 1 battery (CR2025). Install the battery according to the illustration. Make sure that the battery is properly installed.

BATTERY REPLACEMENT

When the remote control operating distance becomes short, the battery may be weak. Replace it with a new battery.

BATTERY CAUTIONS

Incorrect use of a battery may cause leakage or an explosion. Be careful of the following items:

When replacing:

- Replace only with CR2025 battery.
- Replace the battery in the correct (+) and (-) polarities as indicated in the battery holder.

Care of the remote control transmitter:

- When the remote control transmitter will not be used for an extended period of time, remove the battery.
- Replace weak battery early.

To prevent accidents:

- Never disassemble, heat, or throw a battery into a fire. Dispose of battery in specified places.
- Never connect or short-circuit the (+) and (-) terminals directly with a metal piece, wire, etc.

OPERATION RANGE

The remote control transmitter should be facing toward the receiver and be within 7 meters (23 feet) and 30 degrees perpendicular of the receiver for proper operation.

CONTROLS AND THEIR FUNCTIONS

(See Fig. 5.)

① POWER

Press to turn the power of the receiver ON and OFF.

② WAKE UP

Press to set the wake-up timer to the desired time using the HOUR, MIN, VOLUME – and +.

③ SLEEP

Press to set the sleep timer.

④ TIME CONTROL

These are used to set the current time or the desired wake-up timer time.

HOUR

Press to set the hour of the current time or the desired wake-up timer time using the VOLUME/TIME ADJ – and +.

MIN

Press to set the minute of the current time or the desired wake-up timer time using the VOLUME/TIME ADJ – and +.

⑤ INPUT

Press these to select the corresponding input source (A, B, or C).

⑥ PRESET

These are used to select the desired broadcast station preset of the receiver.

Up to 18 broadcast station preset can be stored using the PRESET.

PRESET 1, 2, and 3: Press these to call the corresponding broadcast station preset P 1, P 2, or P 3.

–: Press to call the desired broadcast station preset. Each time this is pressed, the preset number is decreased by one. (Ex: P8 → P7)

+ : Press to call the desired broadcast station preset. Each time this is pressed, the preset number is increased by one. (Ex: P16 → P17)

⑦ VOLUME/TIME ADJ control

These are used to adjust the volume level heard from the speakers connected to this unit. Volumes are displayed in levels and decibels.

–: Press to decrease the volume or time indication.

+ : Press to increase the volume or time indication.

⑧ CLOCK

Press to exhibit the current time on the display.

⑨ MEMORY

When MEMORY is pressed, the P (preset) indicator will flash for approximately 5 seconds. During this period, press the desired Preset Station 1, 2 or 3 to store the displayed broadcast station frequency. To store the station to preset station 4 ~ 18, select the preset station number using the PRESET – or +, then press the MEMORY again.

⑩ AM/FM

Press to select the reception band between FM and AM.

⑪ TUNING

Press to conduct auto tuning or manual tuning.

⑫ MUTING

Press to mute the volume. Press once again to cancel muting.

⑬ Remote control sensor

⑭ Display window

⑮ Telescopic antenna

CURRENT TIME SETTING

1. Press the CLOCK so that the time is exhibited on the display.
2. Press the HOUR to set the hour of the current time. While the hour is flashing, use the VOLUME/TIME ADJ – or + to decrease or increase the hour.
3. Once the hour is set, press the MIN to set the minute of the current time. While the minute is flashing, use the VOLUME/TIME ADJ – or + to decrease or increase the minute.
4. Once the hour and minute are adjusted to the current time, press the CLOCK to set.

OPERATION

LISTENING TO RADIO

For better AM/FM reception, be sure to fully extend and orient the telescopic antenna.

AUTO TUNING

If signals are strong and there is no interference, quick automatic search tuning is possible.

1. Select the reception band with AM/FM.
2. Press the TUNING – or + for more than 0.5 seconds. Tuning will start automatically and will stop at the broadcast station frequency with a sufficient signal strength.
3. If the station where tuning stops is not the one you desire, press the TUNING once again.

MANUAL TUNING

Auto tuning may not stop if the station signal is weak. If this is the case, use manual tuning.

1. Select the reception band with the AM/FM.
2. Press the TUNING. The frequency will change rapidly if the TUNING is kept pressed. Release it slightly before reaching the desired frequency, and then press it intermittently until the desired frequency is reached.

PRESET TUNING

The Preset Station can be used to select, at a single touch, any desired station which has been preset.

1. Tune to the desired station using auto or manual search tuning.
 2. Press the ME and press the desired Preset Station 1 ~ 3 while the P is flashing for approximately 5 seconds. To store the station to preset station 4 ~ 18, select the preset station number using the PRESET – or +, then press the MEMORY again.
 3. Once the desired preset station is chosen, press the ME once again to set the preset station.
- Follow the same procedure for the remaining Preset Station. The new setting will be programmed in place of the former one.

MEMORY BACK-UP

The memory back-up circuit will prevent the programmed information from being lost even though the power is switched OFF. If, however, the unit is not used for about one week, the memory may be erased. If this is the case, it can be re-programmed by simply following the above procedure. Power must be supplied for at least one hour before full back up facility is operative.

LISTENING TO OTHER SOURCES

1. Press the POWER.
2. Select the desired source to be heard with the INPUT A, B or C.
3. Play the source and adjust the VOLUME.

TROUBLESHOOTING

TIMER OPERATION

SLEEP TIMER

1. When the POWER of the receiver is ON, press the SLEEP to set the sleep timer. The SLEEP indicator will be displayed. The timer will set the receiver OFF in one hour.

WAKE-UP TIMER

1. Press the POWER.
Select the broadcast station to be heard when the wake-up time is reached.
2. Press WAKE UP to set the wake-up timer. The WAKE-UP indicator will be displayed.
3. Press the HOUR to set the hour of the desired wake-up timer time. While the hour is flashing, use the VOLUME/TIME ADJ - or + to decrease or increase the hour.
4. Once the hour is set, press the MIN to set the minute of the desired wake-up timer time. While the minute is flashing, use the VOLUME/TIME ADJ - or + to decrease or increase minute.
5. To adjust the wake-up volume level, press the WAKE-UP once again, then adjust the VOLUME.
6. Once the time and volume level are adjusted, press the WAKE UP to set.

If your unit fails to function properly, check the followings. If you still have any doubts or questions, get in touch with your YAMAHA dealer.

No sound

- Check power cord connection.
- Check speaker cord connection.
- Check connecting cord connection.
- Check MUTING setting.
- Check INPUT setting.

Noisy AM/FM reception

- Reorientate the antenna away from the source of the noise.
- Reorientate antenna for best reception.

YAMAHA

YAMAHA ELECTRONICS CORPORATION, USA 6722 ORANGETHORPE AVE., BUENA PARK, CALIF. 90620, U.S.A.
YAMAHA CANADA MUSIC LTD. 135 MILNER AVE., SCARBOROUGH, ONTARIO M1S 3R1, CANADA
YAMAHA ELECTRONIK EUROPA G.m.b.H. 2084 RELINGEN, BEI HAMBURG, SIEMENSSTR. 22/34, F.R. OF GERMANY
YAMAHA ELECTRONIQUE FRANCE S.A. 17 RUE DES CAMPANULES, LOGNES 77321 MARNE LA VALLEE CEDEX 2, FRANCE
YAMAHA ELECTRONICS (UK) LTD. YAMAHA HOUSE, 200 RICKMANSWORTH ROAD WATFORD, HERTS WD1 7JS, ENGLAND
YAMAHA SCANDINAVIA A.B. J A WETTERGRENS GATA 1, BOX 30053, 400 43 VÄSTRA FRÖLUNDA, SWEDEN
YAMAHA MUSIC AUSTRALIA PTY, LTD. 17-33 MARKET ST., SOUTH MELBOURNE, 3205 VIC., AUSTRALIA

YAMAHA CORPORATION
10-1 NAKAZAWA-CHO, HAMAMATSU, JAPAN
VI05910-0 BWgW.g © Printed in Japan