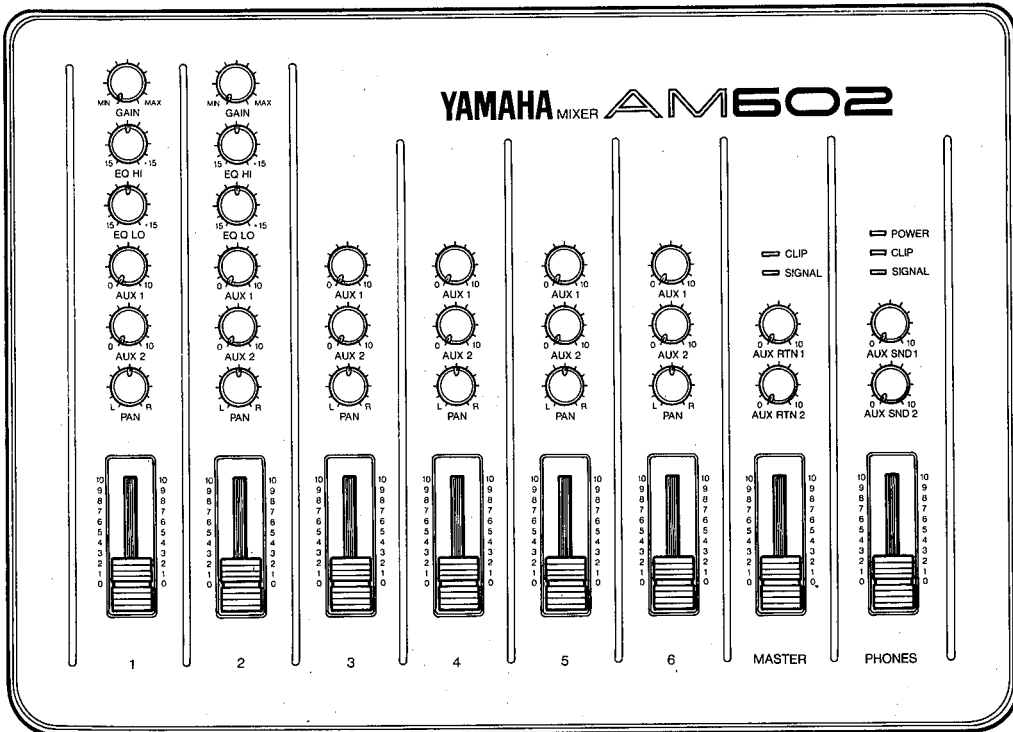


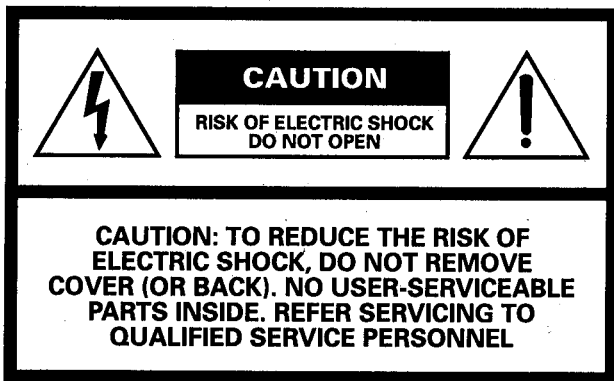
YAMAHA

MIXER
TABLE DE MIXAGE
MISCHPULT

AM602

OPERATION MANUAL
MANUEL D'INSTRUCTIONS
BEDIENUNGSANLEITUNG





● Explanation of Graphical Symbols



The lightning flash with arrowhead symbol within an equilateral triangle is intended to alert the user of the presence of uninsulated "dangerous voltage" within the product's enclosure that may be of sufficient magnitude to constitute a risk of electric shock to persons.



The exclamation point within an equilateral triangle is intended to alert the user to the presence of important operating and maintenance (servicing) instructions in the literature accompanying the product.

SAFETY INSTRUCTIONS

1. **Read Instructions**—All the safety and operating instructions should be read before the appliance is operated.
2. **Retain Instructions**—The safety and operating instructions should be retained for future reference.
3. **Heed Warnings**—All warnings on the appliance and in the operating instructions should be adhered to.
4. **Follow Instructions**—All operating and use instructions should be followed.
5. **Water and Moisture**—The appliance should not be used near water—for example, near a bathtub, washbowl, kitchen sink, laundry tub, in a wet basement, or near a swimming pool, and the like.
6. **Carts and Stands**—The appliance should be used only with a cart or stand that is recommended by the manufacturer.
- 6A. An appliance and cart combination should be moved with care. Quick stops, excessive force, and uneven surfaces may cause the appliance and cart combination to overturn.
7. **Wall or Ceiling Mounting**—The appliance should be mounted to a wall or ceiling only as recommended by the manufacturer.
8. **Ventilation**—The appliance should be situated so that its location or position does not interfere with its proper ventilation. For example, the appliance should not be situated on a bed, sofa, rug, or similar surface that may block the ventilation openings; or placed in a built-in installation, such as a bookcase or cabinet that may impede the flow of air through the ventilation openings.
9. **Heat**—The appliance should be situated away from heat sources such as radiators, heat registers, stoves, or other appliances (including amplifiers) that produce heat.
10. **Power Sources**—The appliance should be connected to a power supply only of the type described in the operating instructions or as marked on the appliance.
11. **Grounding or Polarization**—The precautions that should be taken so that the grounding or polarization means of an appliance is not defeated.
12. **Power-Cord Protection**—Power-supply cords should be routed so that they are not likely to be walked on or pinched by items placed upon or against them, paying particular attention to cords at plugs, convenience receptacles, and the point where they exit from the appliance.
13. **Cleaning**—The appliance should be cleaned only as recommended by the manufacturer.
14. **Nonuse Periods**—The power cord of the appliance should be unplugged from the outlet when left unused for a long period of time.
15. **Object and Liquid Entry**—Care should be taken so that objects do not fall and liquids are not spilled into the enclosure through openings.
16. **Damage Requiring Service**—The appliance should be serviced by qualified service personnel when:
 - A. The power-supply cord or the plug has been damaged; or
 - B. Objects have fallen, or liquid has been spilled into the appliance; or
 - C. The appliance has been exposed to rain; or
 - D. The appliance does not appear to operate normally or exhibits a marked change in performance; or
 - E. The appliance has been dropped, or the enclosure damaged.
17. **Servicing**—The user should not attempt to service the appliance beyond that described in the operating instructions. All other servicing should be referred to qualified service personnel.



Congratulations!

Your AM602 is a high-performance 6-in/2-out mixer that will deliver outstanding sonic performance and broad control versatility in a variety of applications.

In order to make the most of the AM602's many features and fine performance, we urge you to read this operation manual thoroughly, and keep it in a safe place for later reference.

CONTENTS

CONTROLS & CONNECTORS	2	SAMPLE APPLICATIONS	6
CONTROLS	3	BLOCK DIAGRAM	7
Input Channels	3	DIMENSIONS	7
Master Control Section	4	SPECIFICATIONS	8
CONNECTORS	4	LEVEL DIAGRAM	35

PRECAUTIONS

1. AVOID EXCESSIVE HEAT, HUMIDITY, DUST AND VIBRATION

Keep the unit away from locations where it is likely to be exposed to high temperatures or humidity — such as near radiators, stoves, etc. Also avoid locations which are subject to excessive dust accumulation or vibration which could cause mechanical damage.

2. AVOID PHYSICAL SHOCKS

Strong physical shocks to the unit can cause damage. Handle it with care.

3. DO NOT OPEN THE CASE OR ATTEMPT REPAIRS OR MODIFICATIONS YOURSELF

This product contains no user-serviceable parts. Refer all maintenance to qualified YAMAHA service personnel. Opening the case and/or tampering with the internal circuitry will void the warranty.

4. MAKE SURE POWER IS OFF BEFORE MAKING OR REMOVING CONNECTIONS

Always turn the power OFF prior to connecting or disconnecting cables. This is important to prevent damage to the unit itself as well as other connected equipment.

5. HANDLE CABLES CAREFULLY

Always plug and unplug cables — including the AC cord — by gripping the connector, not the cord.

6. CLEAN WITH A SOFT DRY CLOTH

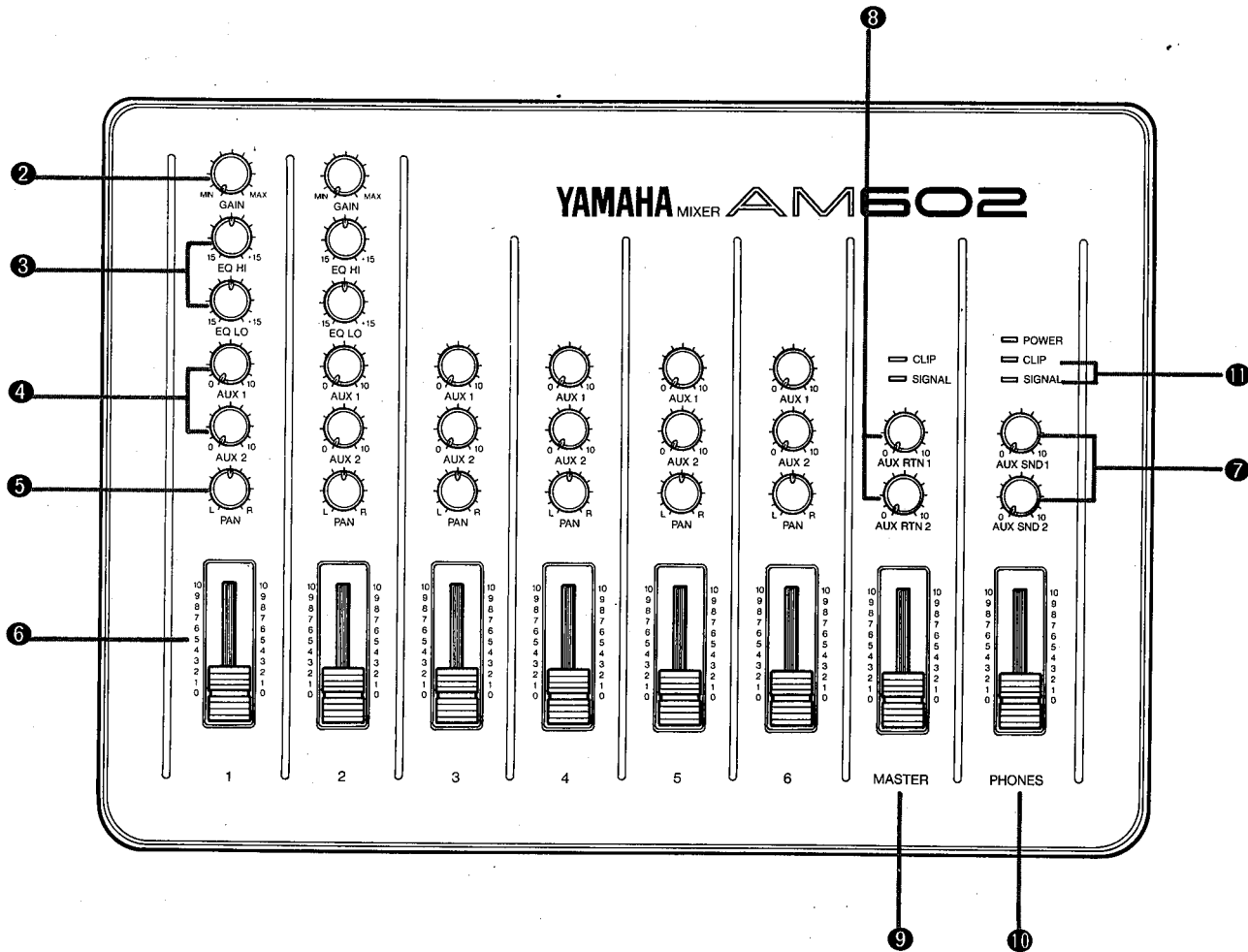
Never use solvents such as benzine or thinner to clean the unit. Wipe clean with a soft, dry cloth.

7. ALWAYS USE THE CORRECT POWER SUPPLY

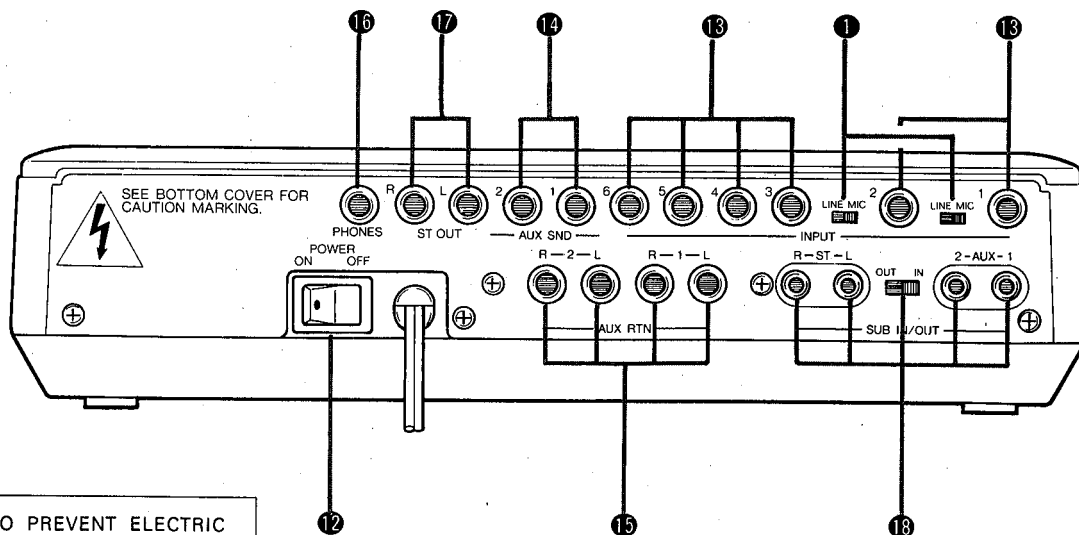
Make sure that the power supply voltage specified on the rear panel matches your local AC mains supply.

CONTROLS & CONNECTORS

CONTROL PANEL



REAR PANEL



CAUTION: TO PREVENT ELECTRIC SHOCK, MATCH WIDE BLADE OF PLUG TO WIDE SLOT, FULLY INSERT.

CONTROLS

● Input Channels

① MIC/LINE Switch (Rear Panel)

— Channels 1 & 2

This switch sets the input sensitivity of the corresponding input to match line-level or microphone-level input sources. If you will be connecting a line-level source such as an electronic keyboard or audio equipment, set the switch to LINE. If you will be connecting a microphone or other low-level source, set the switch to MIC.

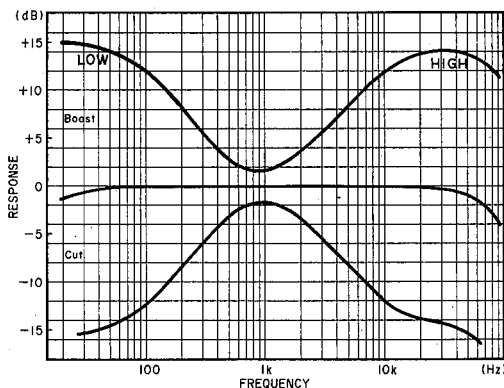
② GAIN Control — Channels 1 & 2

This control adjusts the input sensitivity of the corresponding input channel. Continuously variable gain control allows optimum matching with virtually any microphone or line source.

③ EQ LO & HI Controls — Channels 1 & 2

These controls permit individually modifying the response of each channel. The HI and LO EQ controls function as follows:

Control	Range	Freq.	Type
HI	±15 dB	10 kHz	Shelving
LO	±15 dB	100 Hz	Shelving



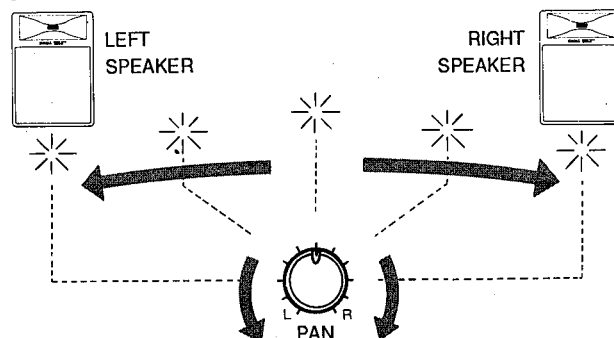
④ AUX Controls

The AUX 1 and AUX 2 controls on the AM602 determine the level of the signal sent from that channel to the AUX 1 and AUX 2 mixing busses, respectively. The AUX mixing busses then feed the corresponding AUX SND level controls and finally the corresponding rear-panel AUX SND output jacks. The channel AUX

controls can be used to produce two independent mixes to feed external effect devices, a performer's headphone cue system or other system fed by the AUX SND jacks. All AUX controls are "post-EQ/post-fader," meaning that their signal is derived from a point after the channel EQ stage and fader. This means that the AUX signal is affected by the channel EQ and fader settings.

⑤ PAN Control

The PAN controls assign the signal from the corresponding channel to any desired position in the "stereo sound field." If a PAN control is set to the maximum "L" (LEFT) position, the signal from that channel will appear only at the left-channel output (ST OUT L). If the PAN control is set fully "R" (RIGHT), the signal will appear only at the ST OUT R output jack. If a PAN control is set to its center position, then the signal from that channel will appear equally at both the left- and right-channel outputs, and the sound will appear at the center of the stereo sound field (at a point midway between the two stereo speakers). Other PAN control settings place the sound at positions roughly corresponding to the PAN control setting by varying the level of the signal sent to the left- and right-channel outputs.



⑥ Channel Fader

This is the main level control for each input channel. It determines the level of the signal sent from the corresponding input channel to the master stereo buss. The settings of the input channel faders determines the "mix" or balance of sound levels between the instruments or other sources connected to the inputs.

NOTE:

If a channel is not being used, its fader should be set to the minimum position to prevent unwanted noise from being added to the main program signals.

● Master Control Section

⑦ AUX SND Controls

These adjust the overall output level of the AUX 1 and AUX 2 "mixes" set up using the corresponding channel AUX controls. AUX SND 1 sets the overall level of the AUX 1 mix signal appearing at the AUX SND 1 jack, and AUX SND 2 sets the overall level of the AUX 2 mix signal appearing at the AUX SND 2 jack. These controls should be used to optimally match the AUX SND output level of the mixer to the input sensitivity of the external signal processing device or power amplifier used.

⑧ AUX RTN Controls

These controls adjust the level of the signal received at the corresponding rear-panel AUX RTN jacks and mixed into the main program on the master stereo buss. Stereo inputs are provided for each AUX RTN input, providing compatibility with the many mono-in/stereo-out signal processors currently available.

⑨ MASTER Fader

The MASTER fader controls the master output levels of both the left and right channels, and thus the level of the signals appearing at the ST OUT L and R jacks.

⑩ PHONES Control

Adjusts the level of the master stereo program signal applied to the rear-panel PHONES jack. Use the PHONES control to set the most comfortable headphone monitoring level.

⑪ Level Indicators

The AM602 has left- and right-channel SIGNAL and CLIP LEDs. The SIGNAL LEDs light when a signal of sufficiently high level is detected in the corresponding channel, and the CLIP LEDs will light if the signal in the corresponding channel reaches a level 3-dB below clipping. If the either of the CLIP indicators lights more than just occasionally on high-level peaks, the fader levels or levels of the sources connected to the mixer's inputs should be reduced to prevent possible overload distortion.

⑫ POWER Switch (Rear panel)

Flip to the ON position to turn power ON, or to the OFF position to turn power OFF. The POWER indicator LED will light when the power switch is turned ON.

CAUTION:

Make sure the MASTER fader is set to minimum when turning the POWER switch ON.

CONNECTORS

⑬ INPUT Connectors

The AM602 has a total of 6 input channels, each of which has a single 1/4" monaural phone INPUT jack. See "① MIC/LINE Switch" for a description of the MIC/LINE switches associated with INPUT jacks 1 and 2. When a MIC/LINE switch is set to MIC, the input level and impedance for that channel are set to -50 dB/50—600 ohms. When set to LINE, the input level and impedance are -10 dB/600 ohms. The input level and impedance for INPUTs without MIC/LINE switches are -10 dB/600 ohms.

⑭ AUX SND Jacks

These jacks deliver the AUX 1 and AUX 2 mixes, respectively, to feed an external signal processor, a monitor system, etc. Nominal output level and impedance of the AUX SND jacks are -10 dB/10 kohms.

⑮ AUX RTN Jacks

The output from signal processors fed by the AUX SND jacks can be returned to the master stereo buss via these jacks. Stereo AUX RTN jacks offer compatibility with the wide range of mono-in/stereo-out signal processors currently available. The AUX RTN jacks can also be used to add external signals other than the output from signal processor to the stereo buss. Nominal input level and impedance are -20 dB/600 ohms.

⑯ PHONES Jack

The PHONES jack delivers the mixer's master stereo program signal to a pair of standard 8 ohm stereo headphones. The PHONES control adjusts the headphone monitoring level.

⑰ ST OUT L & R Jacks

The main outputs from the mixer's stereo buss. These 1/4" monaural phone jacks deliver the stereo buss signal at 0 dB/10 kohms (nominal).

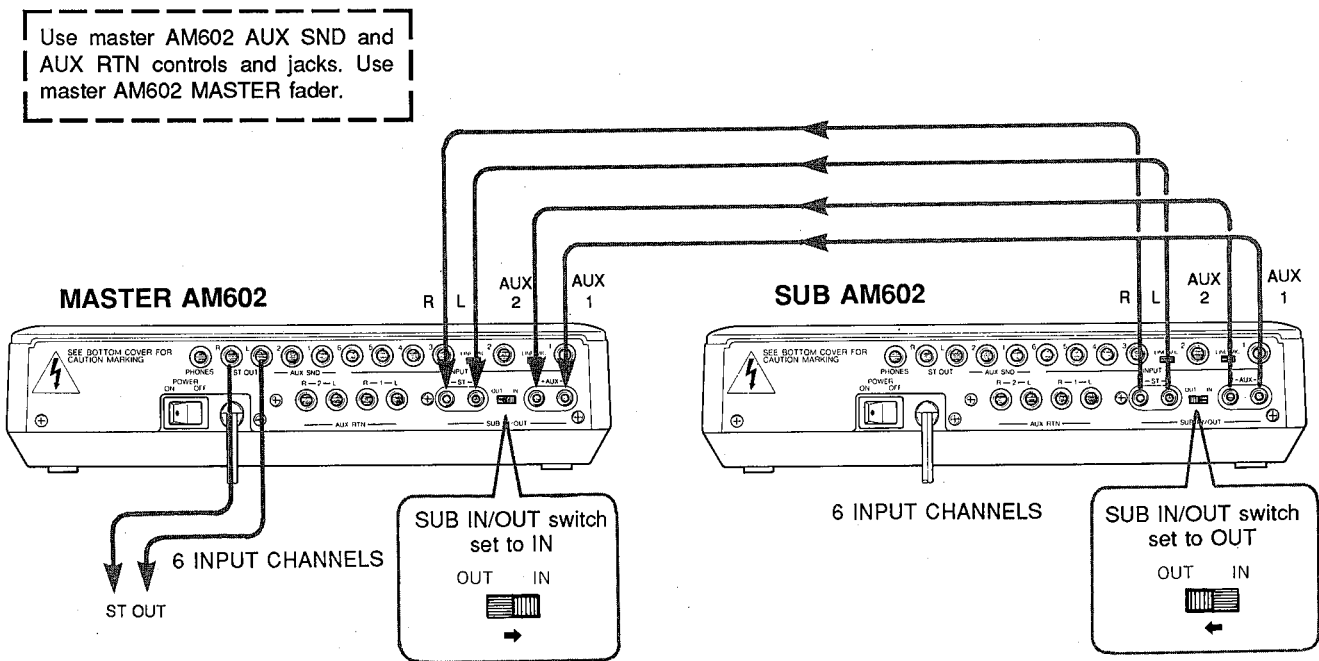
18 SUB IN/OUT Jacks

These four jacks and selector switch permit "cascading" two AM602 units to increase the number of available input channels to 12. When two AM602 units are cascaded, one functions as a "sub-mixer" and the second as a "master mixer." The input channels on the sub-mixer operate normally but the master section controls are not used. The input channels of the master mixer also function normally, and its master section controls the entire system. That is, the MASTER fader, AUX SND and AUX RTN controls of the master mixer function for all 12 input channels. The SUB IN/OUT switch determines whether the SUB IN/OUT jacks function as inputs or outputs, and thus whether the AM602 functions as sub-mixer or master mixer. For sub-mixer operation the SUB IN/OUT switch

should be set to the "OUT" position, while for master mixer operation it should be set to the "IN" position. The diagram below shows the proper connections and switch settings.

NOTE:

For normal single-mixer operation the SUB IN/OUT switch should be set to the "IN" position. In this condition the SUB IN/OUT L, R, AUX 1 and AUX 2 jacks function as inputs, and can be used to feed external line-level signals into the mixer's stereo master buss and AUX busses. If the SUB IN/OUT switch is set to the OUT position, however, the SUB IN/OUT L and R jacks can be used as "REC OUT" jacks, providing a line-level signal for recording, etc.



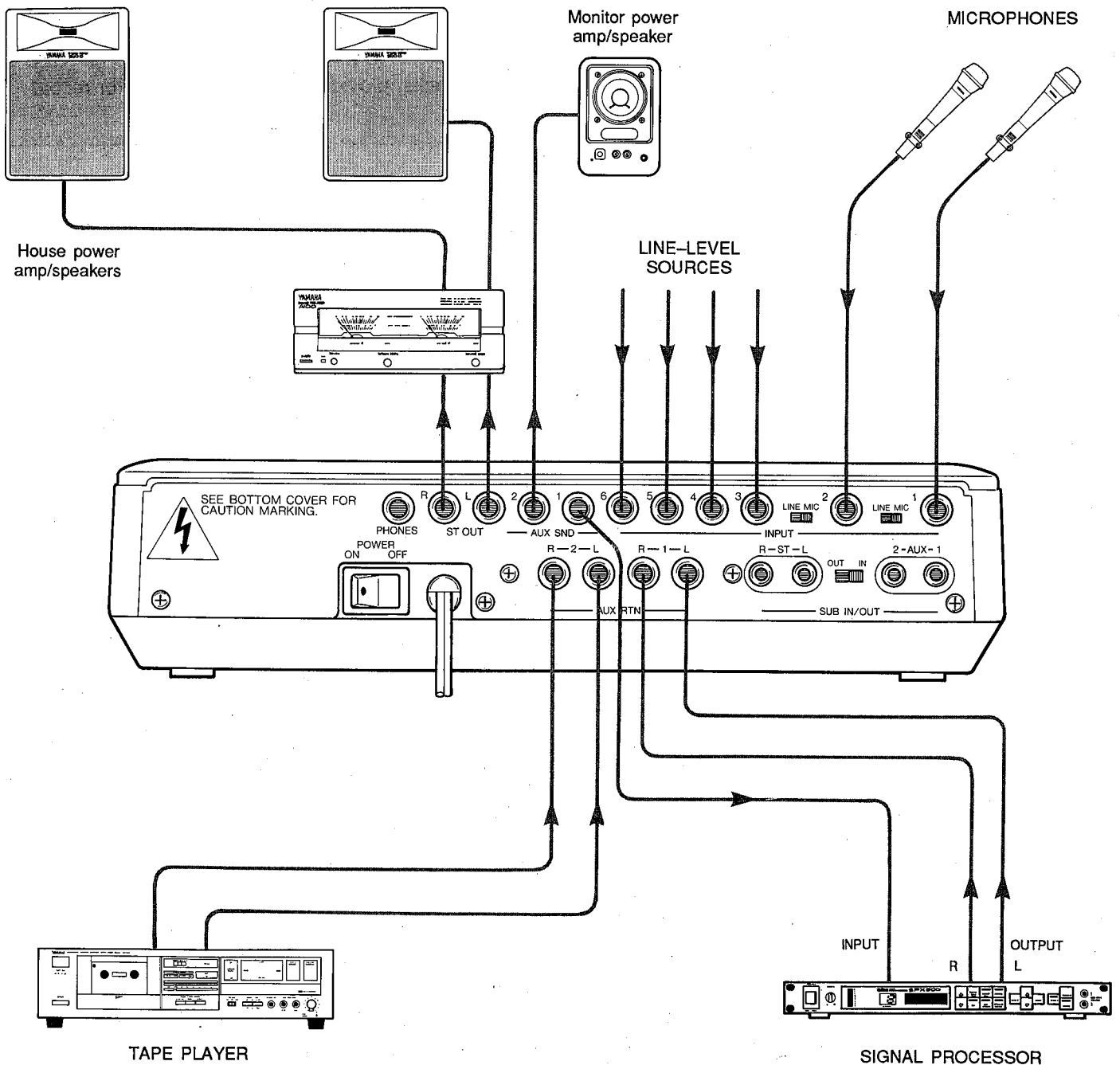
IMPORTANT NOTES

- * MAKE SURE THE MIXER'S POWER SWITCH IS OFF OR THE MASTER FADER IS SET TO MINIMUM WHEN CONNECTING OR DISCONNECTING ANY CABLES.
- * ALWAYS TURN THE MIXER'S POWER ON OR RAISE THE MASTER FADER **AFTER** TURNING ON CONNECTED SOURCES SUCH AS ELECTRONIC INSTRUMENTS, ETC.
- * NEVER CONNECT THE SPEAKER OUTPUT OF ANY AMPLIFIER TO THE MIXER'S INPUTS UNLESS A SUITABLE HIGH-LEVEL ATTENUATION PAD OR "DIRECT BOX" IS USED TO LOWER THE SIGNAL'S LEVEL.

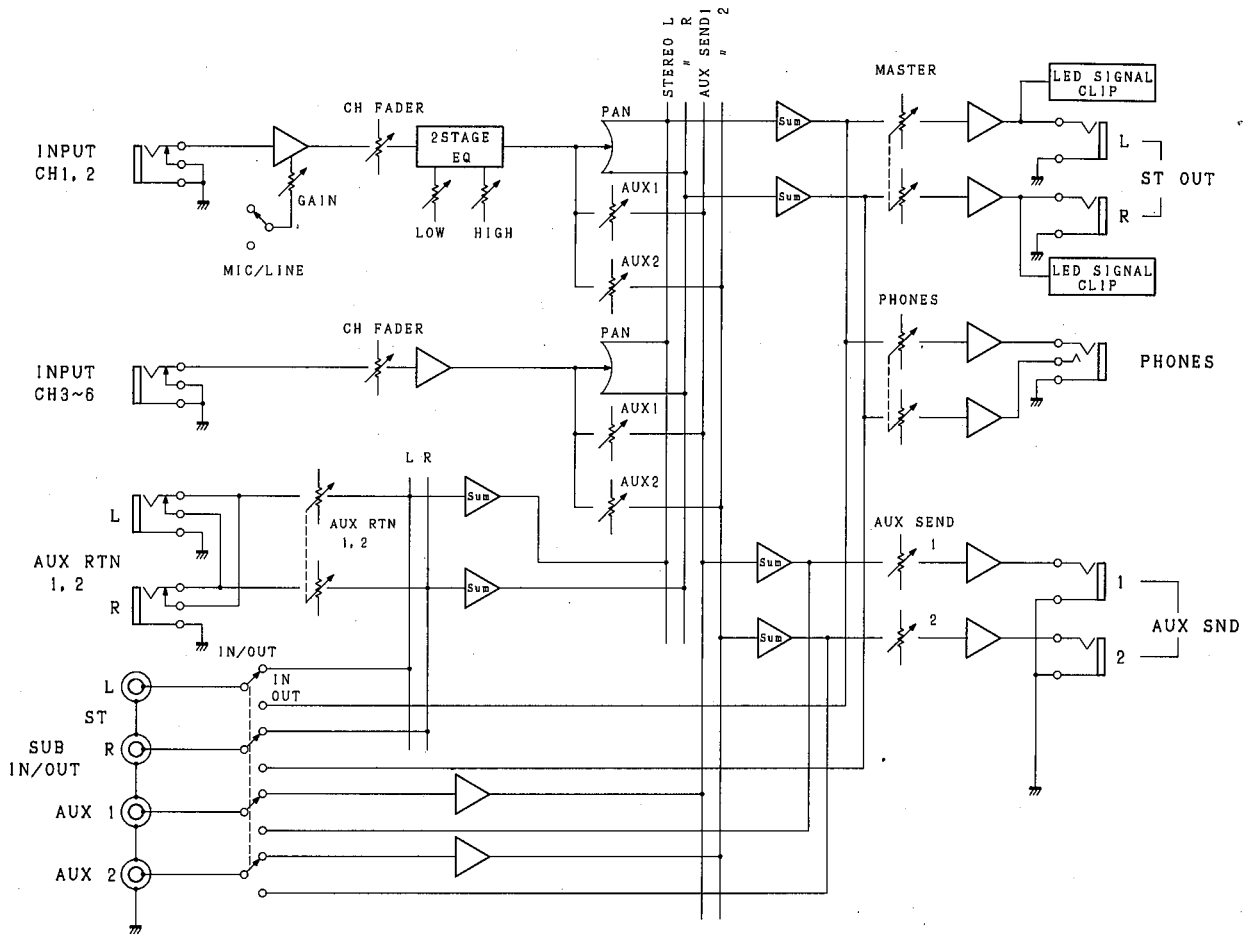
SAMPLE APPLICATION

A Small Sound Reinforcement System

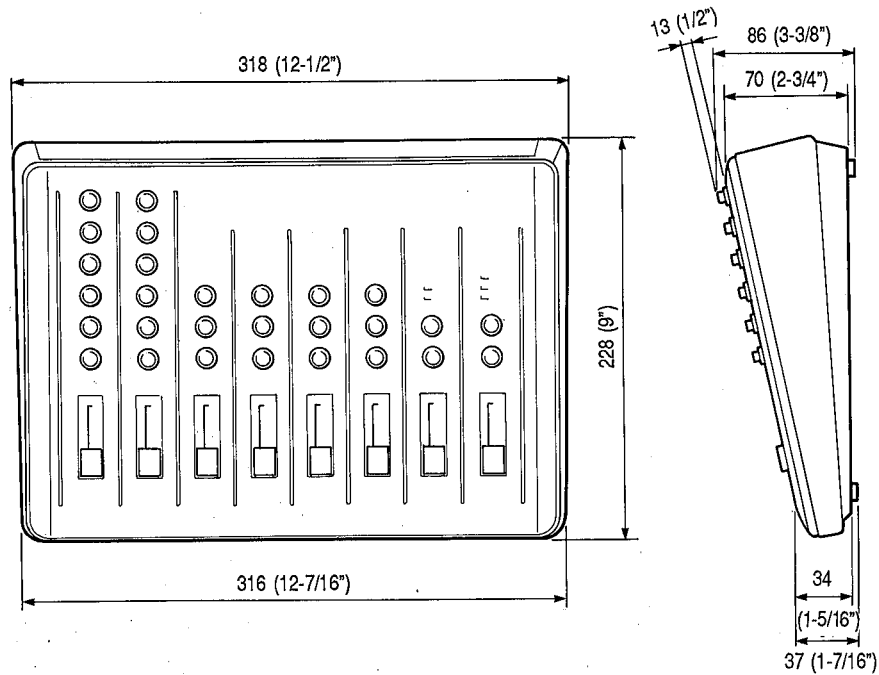
In this small sound reinforcement system the required sources are connected to the appropriate input channel connectors. The AUX SND 1 output is connected to a digital signal processor for reverb and other effects, and the stereo output from the signal processor is returned to the AUX RTN 1 connectors. The AUX 1 controls can thus be used to set up the required effect mix. The AUX 2 controls are used to provide a separate monitor mix for the performers on stage. The AUX SND 2 output is therefore connected to a power amplifier driving the on-stage monitor speaker system. The main house power amplifier/speaker system can be fed by the ST OUT L and R outputs. In this system a tape player is connected to the AUX RTN 2 inputs to provide background music during intermission or recorded accompaniment for the performance.



BLOCK DIAGRAM



DIMENSIONS



UNIT = mm (inch)

SPECIFICATIONS

Frequency Response

+1, -2 dB, 20 Hz — 20 kHz, 10 kohms, 0 dB (ST OUT)

+1, -2 dB, 20 Hz — 20 kHz, 10 kohms, -10 dB (AUX SND 1, 2), (SUB OUT)

Total Harmonic Distortion

Less than 0.05%, 20 Hz — 20 kHz, 10 kohms, +10 dB

Hum & Noise* (20 Hz — 20 kHz, $R_s = 150$ ohms, CH1, 2 Gain max.)

-122dB (CH1, 2) equivalent input noise.

-90 dB (ST OUT) residual output noise.

-76 dB (76 dB S/N) at ST OUT, Master fader nominal, all channel faders minimum.

-72 dB (72 dB S/N) at ST OUT, Master fader nominal, channel 1, 2 faders nominal.

-88 dB (78 dB S/N) at AUX SND, all channel AUX controls minimum.

-82 dB (72 dB S/N) at channel 1, 2 faders nominal, AUX controls nominal.

Maximum Output Level

+17.5 dB, 20 Hz — 20 kHz, 10 kohms, THD 0.2%

Maximum Voltage Gain

62 dB CH1, 2 IN to ST OUT

22 dB CH3 — 6 IN to ST OUT

58 dB CH1, 2 IN to AUX SND

18 dB CH3 — 6 IN to AUX SND

32 dB AUX RTN to ST OUT

16 dB SUB IN (ST) to ST OUT

6 dB SUB IN (AUX) to AUX SND

Crosstalk

-60 dB at 1 kHz, adjacent channel inputs.

-60 dB at 1 kHz, input to output.

Input Channel Equalization (CH1, 2)

15 dB maximum boost or cut

HI: 10 kHz (shelving)

LO: 100 Hz (shelving)

Clip Indicators (ST L, R)

CLIP (red) lights when ST OUT signal is 3 dB below clipping.

Signal Indicators (ST L, R)

SIGNAL (green) lights when ST OUT signal reaches -10 dB (10 dB below nominal output level.)

Power Requirement

Power requirements match local AC mains voltage and frequency in area where sold.

Power Consumption

9 watts

Dimensions (W x H x D)

318 x 86 x 228 mm (12-1/2" x 3-3/8" x 9")

Weight

1.8 kg (3 lbs. 15 oz)

* Measured with a -6 dB/octave LPF @ 12.7 kHz.

● 0 dB = 0.775 Vrms

INPUT CHARACTERISTICS

Input terminals	Input SW	Gain Trim	Actual Load Impedance	For Use With Nominal	Input Level			Connector In Mixer
					Sensitivity*	Nominal	Maximum before clip	
CH 1, 2	MIC	MAX	10 kohms	50–600 ohms Mics & 600 ohms Lines	-62dB (0.62mV)	-50dB (2.5mV)	-28dB (31mV)	Phone jack
		MIN			-37dB (11mV)	-25dB (44mV)	-3dB (549mV)	
	LINE	MAX			-43dB (5.5mV)	-31dB (22mV)	-9dB (275mV)	
		MIN			-22dB (62mV)	-10dB (245mV)	+12dB (3.1V)	
CH 3 — 6 Input			10 kohms	600 ohms Lines	-22dB (62mV)	-10dB (245mV)		Phone jack
AUX RTN 1, 2			10 kohms	600 ohms Lines	-32dB (19mV)	-20dB (78mV)		Phone jack
SUB IN			10 kohms	600 ohms Lines	-16dB (123mV)	-10dB (245mV)		RCA Pin jack

OUTPUT CHARACTERISTICS

Output terminals	Actual Source Impedance	For Use With Nominal	Output Level		Connector In Mixer
			Nominal	Maximum before clip	
ST OUT	600 ohms	10 kohms Lines	0dB (0.775V)	+17.5dB (5.8V)	Phone jack
AUX SND 1, 2	600 ohms	10 kohms Lines	-10dB (245mV)	+17.5dB (5.8V)	Phone jack
PHONES	100 ohms	8 ohms Phones	-22dB (62mV)	-4.5dB (462mV)	STEREO Phone jack
SUB OUT	600 ohms	10 kohms Lines	-10dB (245mV)	+17.5dB (5.8V)	RCA Pin jack

● 0 dB = 0.775 V

● All Phone Jack are unbalanced.

* Sensitivity is the lowest level that will produce an output of 0 dB (0.775 V), or the nominal output level when the unit is set to maximum gain.

IMPORTANT NOTICE FOR THE UNITED KINGDOM

Connecting the Plug and Cord

IMPORTANT. The wires in this mains lead are coloured in accordance with the following code:

BLUE : **NEUTRAL**

BROWN : **LIVE**

As the colours of the wires in the mains lead of this apparatus may not correspond with the coloured markings identifying the terminals in your plug proceed as follows:

The wire which is coloured **BLUE** must be connected to the terminal which is marked with the letter **N** or coloured **BLACK**.

The wire which is coloured **BROWN** must be connected to the terminal which is marked with the letter **L** or coloured **RED**.

SERVICE

This product is supported by YAMAHA's worldwide network of factory trained and qualified dealer service personnel. In the event of a problem, contact your nearest YAMAHA dealer.

Français

TABLE DE MIXAGE

AM602

MANUEL D'INSTRUCTIONS

Félicitations!

Votre AM602 est une table de mixage de haute performance à 6 entrées/12 sorties qui vous procurera une qualité sonore incomparable et que vous pourrez utiliser dans une grande variété d'applications.

Afin de tirer le maximum de toutes les fonctions offertes par la AM602, nous vous conseillons vivement de lire très attentivement ce manuel d'instructions et de le conserver dans un lieu sûr afin de pouvoir vous y reporter ultérieurement si besoin est.

TABLE DES MATIERES

PRECAUTIONS ET CONSEILS DE SECURITE	13
COMMANDES ET CONNECTEURS	14
COMMANDES	15
Canaux d'entrée	15
Section de commande principale	16
CONNECTEURS	17
EXEMPLE D'APPLICATION	19
SCHEMA DE PRINCIPE	20
DIMENSIONS	20
SPECIFICATIONS	21
HIPSOGRAMME	35

PRECAUTIONS ET CONSEILS DE SECURITE

1. EVITER CHALEUR, HUMIDITE, POUSSIERE ET VIBRATIONS EXCESSIVES

Ne pas placer l'appareil là où il pourrait être soumis à des températures ou à une humidité excessives, comme par exemple à proximité d'un radiateur, d'un calorifère, etc. Eviter également les endroits particulièrement poussiéreux ou soumis à des vibrations qui pourraient provoquer des dommages mécaniques.

2. EVITER LES CHOCS

Des chocs physiques violents peuvent endommager l'appareil. Par conséquent le manipuler avec soin.

3. NE PAS OUVRIR L'APPAREIL ET NE PAS ESSAYER DE LE REPARER OU DE LE MODIFIER SOI-MEME

Ce produit ne contient pas de pièces réparables par l'utilisateur. Pour l'entretien et les réparations, toujours s'adresser à un réparateur YAMAHA qualifié. Le fait d'ouvrir l'appareil et/ou d'altérer les circuits internes annulerait la garantie.

4. AVANT DE PROCEDER AUX CONNEXIONS OU AUX DEBRANCHEMENTS, CONFIRMER QUE L'APPAREIL EST HORS TENSION

Avant de brancher ou de débrancher les cordons toujours mettre l'appareil hors tension. Cette démarche est importante, car elle permet d'éviter tout dommage à l'appareil, ainsi qu'aux autres composants raccordés.

5. MANIPULER PRECAUTIONNEUSEMENT LES CABLES

Brancher et débrancher les câbles, y compris le cordon d'alimentation, en saisissant le connecteur, jamais en tirant sur le câble.

6. NETTOYER AVEC UN CHIFFON DOUX ET SEC

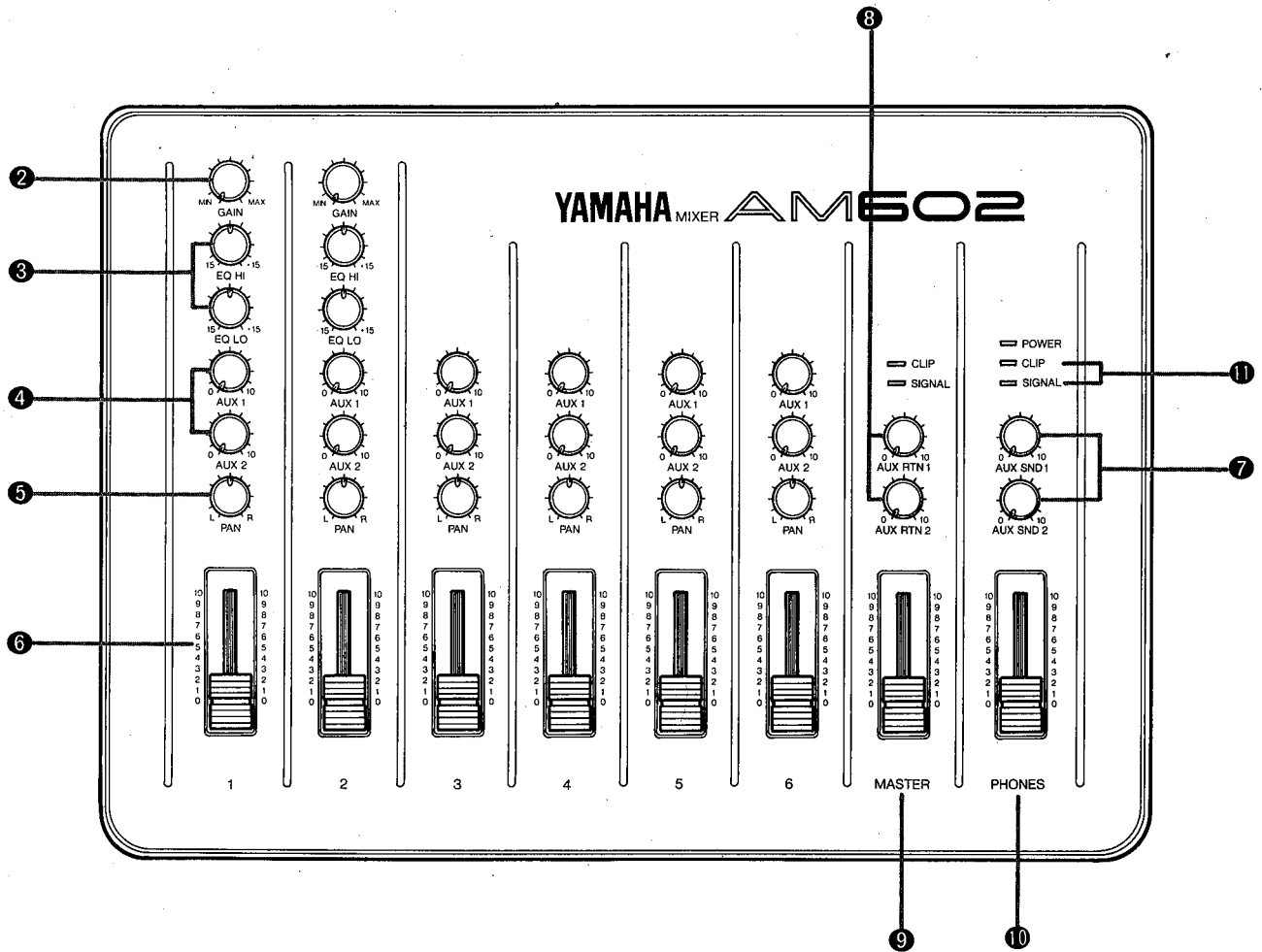
Ne jamais utiliser de solvants, tels que la benzine ou un dissolvant, pour nettoyer l'appareil. L'essuyer simplement avec un chiffon doux et sec.

7. UTILISER TOUJOURS UNE SOURCE D'ALIMENTATION QUI CONVIENT

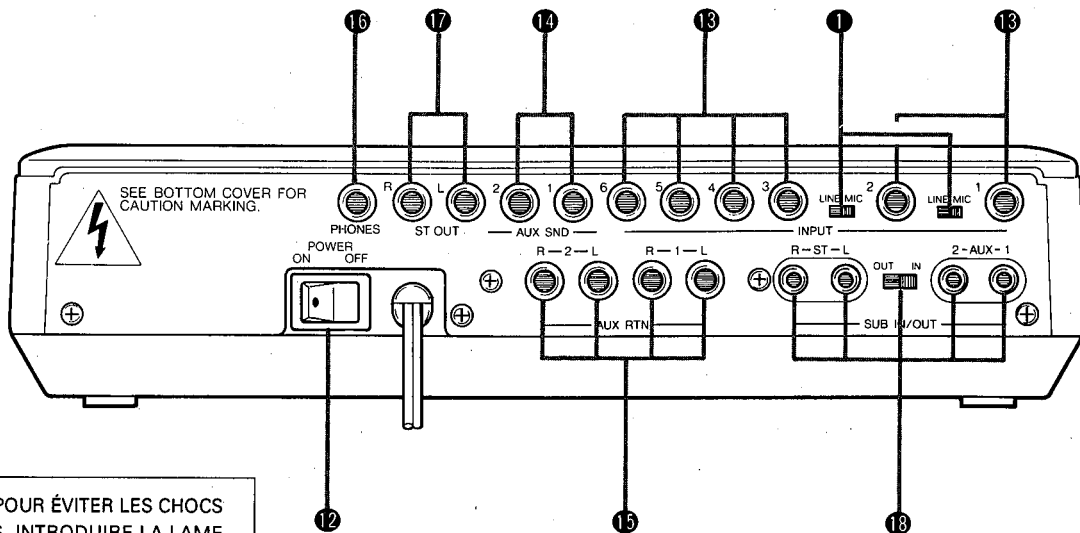
Vérifier que la tension secteur utilisée est la même que celle indiquée sur le panneau arrière de l'appareil.

COMMANDES ET CONNECTEURS

PANNEAU DE COMMANDE



FACE ARRIERE



ATTENTION: POUR ÉVITER LES CHOCs ÉLECTRIQUES, INTRODUIRE LA LAME LA PLUS LARGE DE LA FICHE DANS LA BORNE CORRESPONDANTE DE LA PRISE ET POUSSER JUSQU'AU FOND.

COMMANDES

● Canaux d'entrée

① Commutateurs micro/ligne (MIC/LINE) (Face arrière) — Canaux 1 et 2

Ces commutateurs permettent de régler la sensibilité d'entrée pour qu'elle corresponde au niveau de microphone ou de ligne de la source. En cas de raccordement à une source de niveau de ligne, comme par exemple un clavier électronique ou un appareil audio, mettre le commutateur sur la position LINE. En cas de raccordement d'un microphone ou de toute autre source de niveau bas, le mettre sur la position MIC.

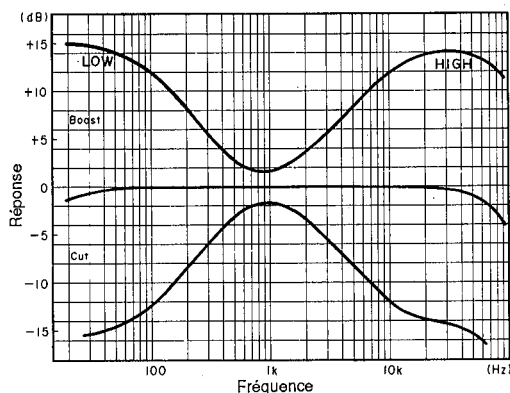
② Commandes GAIN — Canaux 1 et 2

Ces commandes permettent de régler la sensibilité d'entrée du canal correspondant. Ces commandes de gain réglables d'une manière continue permettent de réaliser l'équilibre avec pratiquement n'importe quelles sources de ligne ou de microphone.

③ Commandes d'égalisation LO et HI — Canaux 1 et 2

Ces commandes permettent de modifier individuellement la réponse en fréquence de chaque canal. Les commandes d'égalisation LO et HI ont les fonctions suivantes:

Commande	Plage	Fréq.	Type
HI	±15 dB	10 kHz	Coupure
LO	±15 dB	100 Hz	Coupure

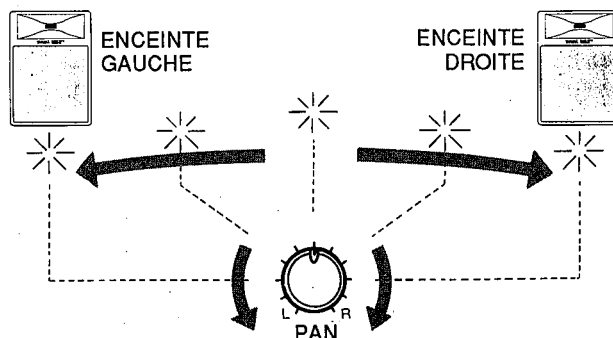


④ Commandes AUX

Les commandes AUX 1 et AUX 2 de AM602 permettent de déterminer le niveau du signal du canal correspondant transmis aux bus de mixage AUX 1 et AUX 2. Les bus de mixage AUX alimentent alors les commandes de niveau AUX SND et ensuite les prises de sortie AUX SND correspondantes de la face arrière. Les commandes AUX peuvent être utilisées pour produire deux mixages indépendants pouvant être transmis à des unités d'effet externes, à un casque d'écoute via le système monitor individuel, ou à tout autre système alimenté par les prises AUX SND. Les commandes AUX sont "post-EQ/post-curseur", ce qui veut dire que les signaux sont captés en aval de l'étage d'égalisation et des curseurs. Ceci signifie que les signaux AUX sont affectés par les réglages d'égalisation et de curseur de canal.

⑤ Commandes PAN

Les commandes PAN permettent d'assigner le signal du canal correspondant à n'importe quelle position dans le champ sonore stéréo. Si une commande PAN est réglée à fond sur la position "L" (GAUCHE), le signal du canal correspondant ne sera appliqué qu'à la sortie de canal gauche (ST OUT L). Si une commande PAN est réglée à fond sur la position "R" (DROITE), le signal du canal correspondant ne sera appliqué qu'à la sortie de canal droit (ST OUT R). Si une commande PAN est réglée sur la position centrale, le signal sera appliqué de manière identique aux sorties de canal gauche et de canal droit et le son semblera parvenir au centre du champ sonore stéréo (en un point à égale distance des deux enceintes acoustiques). Les autres positions des commandes PAN placent le son à une position correspondant approximativement au réglage de ces commandes, et ce en variant le niveau des signaux appliqués aux sorties de canal gauche et de canal droit.



⑥ Curseur de canal

C'est la commande de niveau principale de chaque canal d'entrée. Chaque curseur permet de régler le niveau du signal que le canal d'entrée correspondant transmet aux bus stéréo principal. Le réglage des curseurs de canal d'entrée détermine le "mixage" ou équilibre des niveaux du son entre les divers instruments ou autres sources connectées aux entrées.

REMARQUE:

Lorsqu'un canal n'est pas utilisé, son curseur doit être réglé sur la position minimale pour prévenir toute addition de bruit au signaux de programme principaux.

● Section de commande principale

⑦ Commandes de niveau de transmission (AUX SND)

Ces commandes permettent de régler le niveau de sortie d'ensemble des "mixages" AUX 1 et AUX 2 préparés en utilisant les commandes AUX correspondantes. La commande AUX SND 1 règle le niveau d'ensemble du signal de mixage AUX 1 appliqué à la prise AUX SND 1 et AUX SND 2 règle celui du signal de mixage AUX 2 appliqué à la prise AUX SND 2. Ces commandes doivent être utilisées pour optimiser l'équilibre entre le niveau de sortie AUX SND de la table de mixage et la sensibilité d'entrée de l'unité de traitement de signal ou de l'amplificateur de puissance externe utilisé.

⑧ Commandes de niveau de retour (AUX RTN)

Ces commandes permettent de régler le niveau du signal reçu aux prises AUX RTN correspondantes de la face arrière et appliqué au programme principal du bus stéréo principal. Des entrées stéréo sont prévues pour chaque entrée AUX RTN, ce qui assure la compatibilité avec les processeurs de signal du type à entrée mono/sortie stéréo que l'on trouve actuellement sur le marché.

⑨ Curseur principal (MASTER)

Le curseur MASTER permet de régler le niveau de sortie du canal gauche et du canal droit et donc le niveau des signaux appliqués aux prises ST OUT L et R.

⑩ Commande de niveau de casque (PHONES)

Elle permet de régler le niveau du signal de programme stéréo principal appliqué à la prise PHONES de la face arrière. Utiliser la commande PHONES pour régler le volume du casque d'écoute à un niveau confortable.

⑪ Indicateurs de niveau

La table AM602 est pourvue d'un indicateur à LED CLIP et d'un indicateur à LED SIGNAL pour le canal gauche et pour le canal droit. Les indicateurs SIGNAL s'allument lorsqu'un signal d'un niveau suffisamment élevé est détecté dans le canal correspondant. Les indicateurs CLIP s'allument lorsque le signal du canal correspondant atteint 3 dB au-dessous du niveau d'écrêtage. Les indicateurs CLIP ne devraient s'allumer que pour les crêtes de niveau élevé; s'ils s'allument plus souvent, le niveau des curseurs ou le niveau des sources connectées aux entrées de la table doit être réduit afin de prévenir une distorsion du son due à une surcharge.

⑫ Interrupteur d'alimentation (POWER) (Face arrière)

Placer sur la position ON pour mettre la table de mixage sous tension et sur la position OFF pour la mettre hors tension. Le témoin à LED POWER s'allume lorsque la table est sous tension.

ATTENTION:

Veiller à ce que le curseur MASTER soit mis au niveau minimal avant de mettre la table de mixage sous tension.

CONNECTEURS

13 Connecteurs d'entrée (INPUT)

La table de mixage AM602 est pourvue de 6 canaux d'entrée, chacun ayant une seule prise jack INPUT mono de 1/4". La description des commutateurs MIC/LINE associés aux prises INPUT 1 et 2 est donnée sous le titre: "1 Commutateurs micro/ligne (MIC/LINE)". Lorsqu'un commutateur MIC/LINE est mis sur la position MIC, le niveau et l'impédance d'entrée du canal correspondant sont réglés à -50 dB/50—600 ohms. Sur la position LINE, le niveau et l'impédance d'entrée du canal correspondant sont réglés à -10 dB/600 ohms. Le niveau et l'impédance d'entrée des canaux non pourvus d'un commutateur MIC/LINE sont de -10 dB/600 ohms.

14 Prises de transmission (AUX SND)

Ces prises fournissent respectivement les mixages AUX 1 et AUX 2 pour la transmission à un processeur de signal externe, un système d'écoute de contrôle, etc. Le niveau/impédance de sortie nominal des prises AUX est de -10 dB/10 kohms.

15 Prises de retour (AUX RTN)

Les sorties des processeurs de signal alimentés par les prises AUX SND peuvent être renvoyées au bus stéréo principal via ces prises. Les prises AUX RTN stéréo sont compatibles avec une grande variété de processeurs de signal du type à entrée mono/sortie stéréo que l'on trouve actuellement sur le marché. Les prises AUX RTN peuvent également être utilisées pour ajouter des signaux externes, autres que ceux en provenance d'un processeur de signal, au bus stéréo principal. Le niveau/impédance d'entrée nominal de ces prises est de -20 dB/600 ohms.

16 Prise de casque d'écoute (PHONES)

La prise PHONES permet d'appliquer le signal de programme stéréo principal à un casque d'écoute stéréo standard de 8 ohms. Le niveau d'écoute de contrôle peut être réglé à l'aide de la commande de niveau PHONES.

17 Prises de sortie stéréo gauche et droite (ST OUT L et R)

Il s'agit des sorties principales du bus stéréo de la table de mixage. Ces prises de type jack de 1/4" sortent le signal de bus stéréo à 0 dB/10 kohms (nominal).

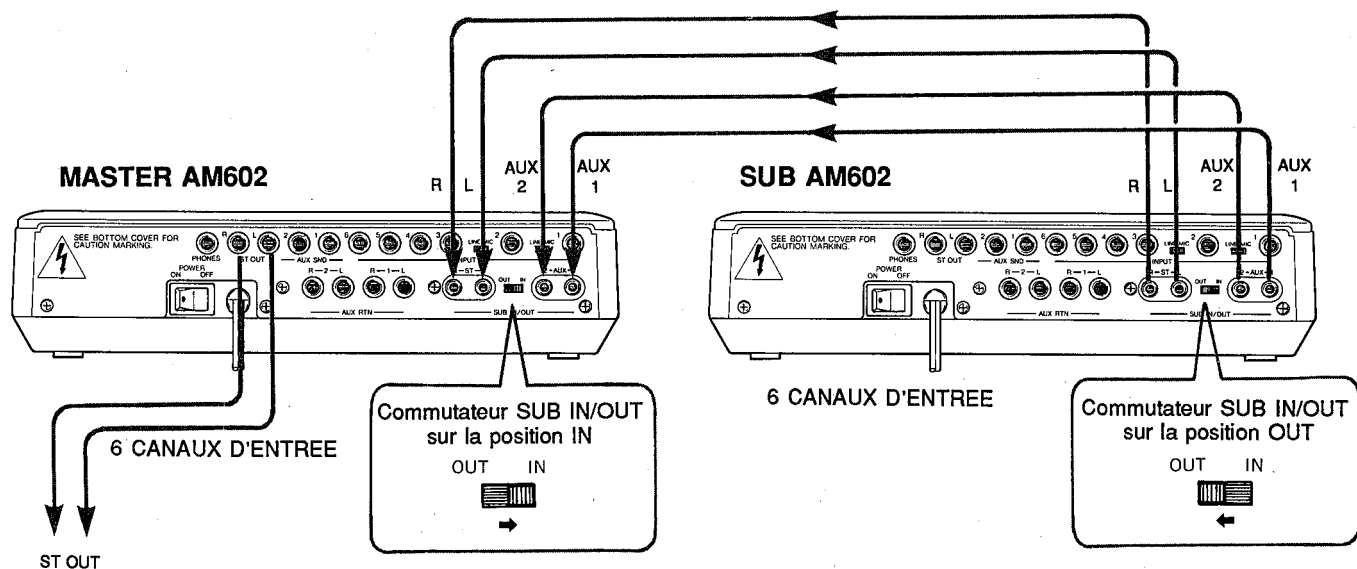
18 Prises d'entrée/sortie (SUB IN/OUT)

Ces quatre prises et le sélecteur permettent de mettre en cascade deux tables de mixage AM602 afin d'augmenter le nombre total de canaux d'entrée disponibles de 6 à 12. Lorsque deux tables AM602 sont utilisées, une fonctionne comme une table pilote et l'autre comme une table asservie. Les canaux d'entrée de la table asservie sont utilisés normalement, alors que la section de commande principale de cette table n'est pas utilisée. Les canaux d'entrée de la table pilote sont également utilisés normalement et sa section de commande principale sert à contrôler tout le système. Ceci revient à dire que le curseur MASTER et les commandes AUX SND et AUX RTN de la section de commande principale de la table pilote affectent les 12 canaux. Le sélecteur SUB IN/OUT détermine si les prises SUB IN/OUT fonctionneront en tant qu'entrée ou en tant que sortie et par conséquent si la table de mixage sera pilote ou asservie. Pour la table asservie, mettre le sélecteur SUB IN/OUT sur la position "OUT" et pour la table pilote le mettre sur la position "IN". Le schéma suivant montre comment effectuer les raccordements et comment régler les sélecteurs.

REMARQUE:

En cas d'utilisation normale d'une seule table de mixage, le sélecteur SUB IN/OUT doit être mis sur la position "IN". Dans ce cas, les prises SUB IN/OUT L et R, AUX 1 et AUX 2 fonctionnent toutes comme des entrées et peuvent être utilisées pour appliquer des signaux externes de niveau de ligne au bus stéréo principal et aux bus AUX de la table de mixage. Si le sélecteur SUB IN/OUT est mis sur la position OUT, par contre, les prises SUB IN/OUT L et R peuvent être utilisées comme des prises "REC OUT", fournissant un signal de niveau de ligne pour l'enregistrement, etc.

Utiliser les commandes et prises AUX SND et AUX RTN de la table AM602 pilote. Utiliser le curseur MASTER de la table AM602 pilote.



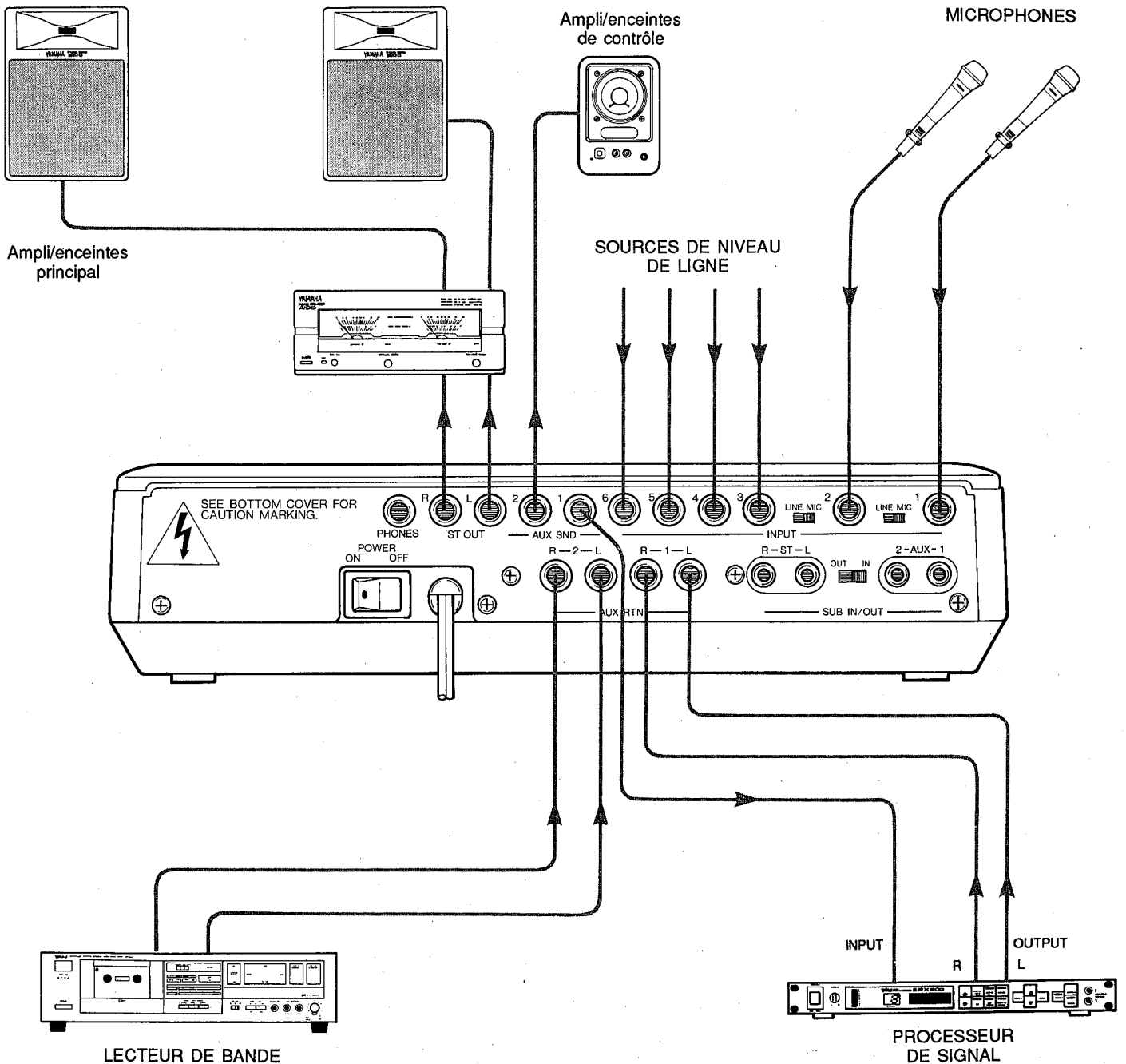
REMAQUES IMPORTANTES

- * VEILLER A CE QUE LA TABLE DE MIXAGE SOIT HORS TENSION OU A CE QUE LE CURSEUR MASTER SOIT REGLE AU MINIMUM AVANT DE CONNECTER OU DECONNECTER LES CABLES.
- * TOUJOURS METTRE LA TABLE SOUS TENSION OU AUGMENTER LE REGLAGE DE SON CURSEUR MASTER **APRES** AVOIR MIS SOUS TENSION LES APPAREILS CONNECTES, TELS QU'INSTRUMENT ELECTRONIQUE, ETC.
- * NE JAMAIS CONNECTER LA SORTIE D'ENCEINTE ACOUSTIQUE D'UN AMPLIFICATEUR AUX ENTREES DE LA TABLE DE MIXAGE A MOINS D'UTILISER UN ATTENUATEUR DE HAUT NIVEAU OU UNE "BOITE DIRECTE" APPROPRIEE POUR ABAISSER LE NIVEAU DES SIGNAUX.

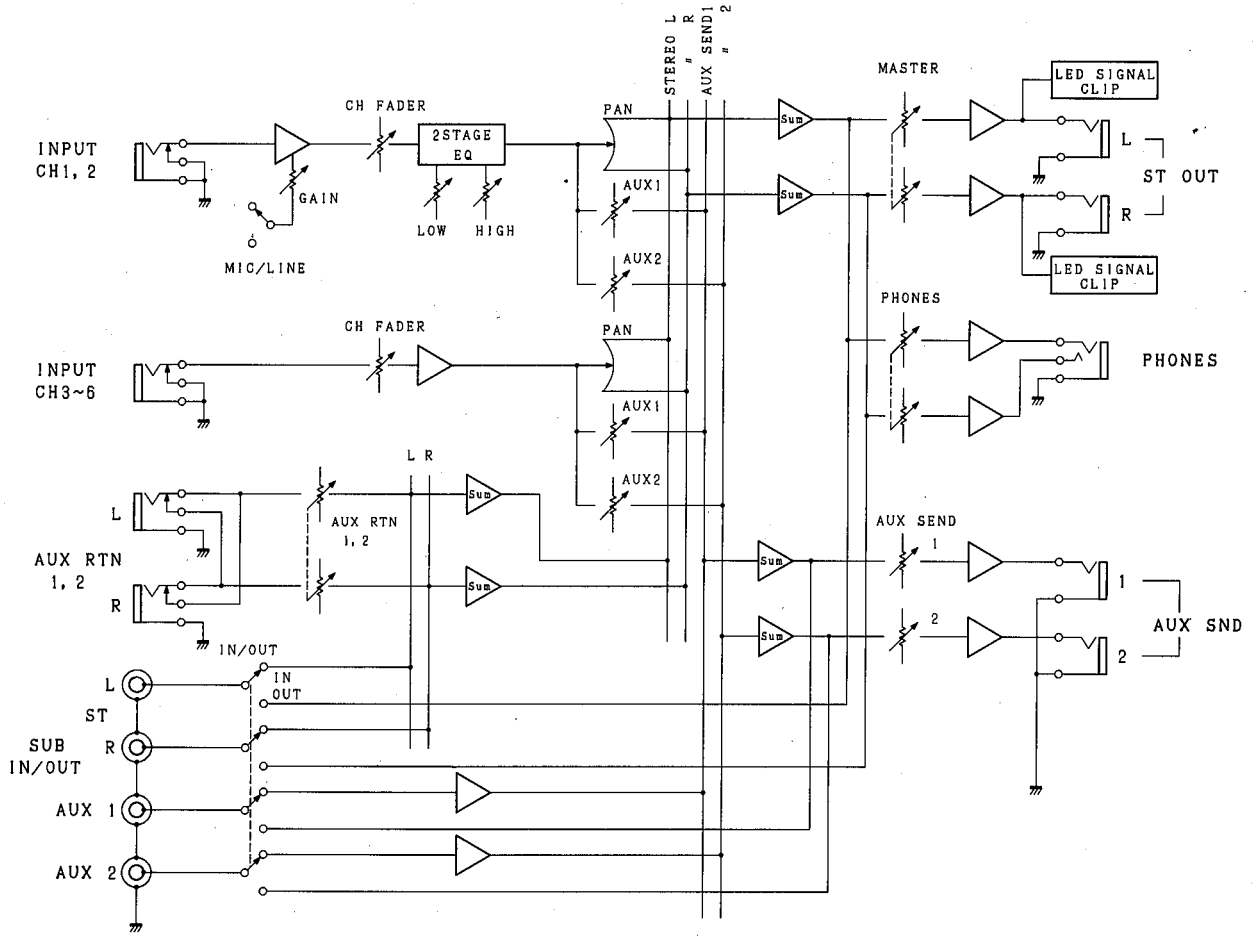
EXEMPLE D'APPLICATION

Un petit système de renforcement du son

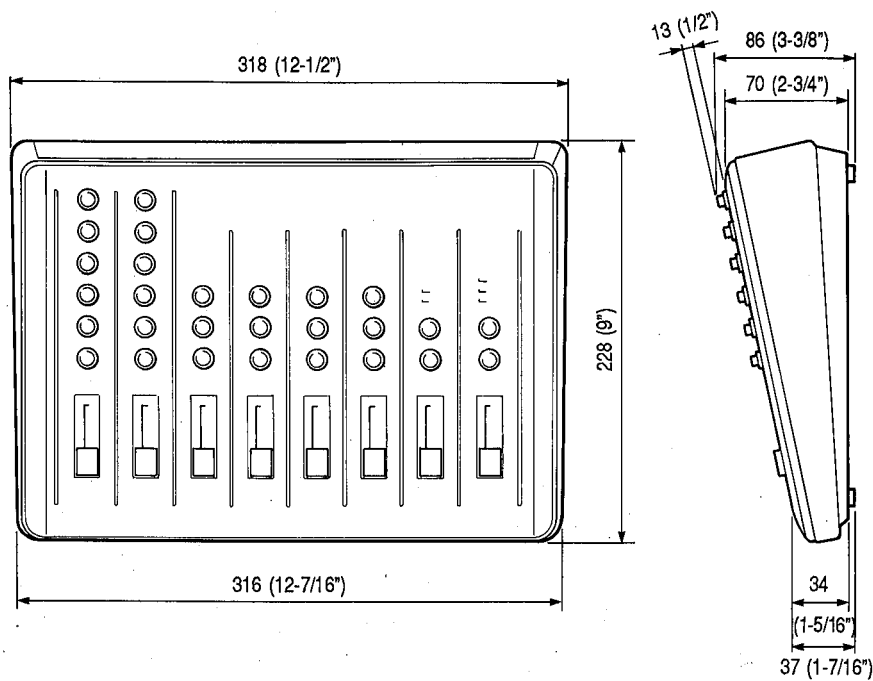
Dans ce système simple de renforcement du son, les sources requises sont reliées aux connecteurs de canal d'entrée appropriés. La sortie AUX SND 1 est connectée à un processeur de signal numérique, afin d'appliquer des effets de réverbération ou autres, alors que la sortie stéréo du processeur est renvoyée aux connecteurs AUX RTN 1. Les commandes AUX 1 peuvent ainsi être utilisées pour préparer le mixage d'effets requis. Les commandes AUX 2 sont utilisées pour transmettre un mixage d'écoute de contrôle indépendant sur scène. La sortie AUX SND 2 est par conséquent connectée à un amplificateur de puissance qui pilote les enceintes de contrôle sur scène. Le système amplificateur de puissance/enceintes principal peut être alimenté par les sorties ST OUT L et R. Dans ce système un lecteur de bande est connecté aux entrées AUX RTN 2 pour fournir une musique de fond pendant les interludes ou un accompagnement enregistré pendant la performance.



SCHEMA DE PRINCIPE



DIMENSIONS



UNITE = mm

SPECIFICATIONS

Réponse en fréquence

+1, -2 dB, 20 Hz — 20 kHz, 10 kohms, 0 dB (ST OUT)

+1, -2 dB, 20 Hz — 20 kHz, 10 kohms, -10 dB (AUX SND 1, 2), (SUB OUT)

Distorsion harmonique totale

Moins de 0,05%, 20 Hz — 20 kHz, 10 kohms, sortie +10 dB

Bourdonnement et bruit* (20 Hz — 20 kHz, $R_s = 150$ ohms, Gain maxi. CH1, 2)

-122dB (CH1, 2) bruit d'entrée équivalent

-90 dB (ST OUT) bruit de sortie résiduel

-76 dB (S/B 76 dB) à ST OUT, curseur principal nominal, tous les curseurs de canal au minimum.

-72 dB (S/B 72 dB) à ST OUT, curseur principal et curseurs de canal 1 et de canal 2 nominal.

-88 dB (S/B 78 dB) à AUX SND, toutes les commandes AUX de canal au minimum.

-82 dB (S/B 72 dB) à curseur de canal 1 et de canal 2 nominal, commandes AUX nominal.

Niveau de sortie maximal

+17,5 dB, 20 Hz — 20 kHz, 10 kohms, DHT 0,2%

Gain de tension maximal

62 dB, de CH1, 2 IN à ST OUT

22 dB, de CH3 — 6 IN à ST OUT

58 dB, de CH1, 2 IN à AUX SND

18 dB, de CH3 — 6 IN à AUX SND

32 dB, de AUX RTN à ST OUT

16 dB, de SUB IN (ST) à ST OUT

6 dB, de SUB IN (AUX) à AUX SND

Diaphonie

-60 dB à 1 kHz, entrées de canaux adjacents

-60 dB à 1 kHz, d'entrée à sortie

Egalisation de canal d'entrée (CH1, 2)

Accentuation ou atténuation maximale de 15 dB

HI: 10 kHz (coupure)

LO: 100 Hz (coupure)

Témoins de crête (ST L, R)

Témoin CLIP (rouge) s'allume lorsque le signal ST OUT est 3 dB au-dessous du niveau d'écrêtage.

Indicateurs de niveau (ST L, R)

SIGNAL (vert) s'allume lorsque le signal ST OUT atteint -10 dB (10 dB au-dessous du niveau de sortie nominal.)

Alimentation électrique

Conforme à l'alimentation secteur (tension et fréquence) utilisée dans la région où l'appareil a été acheté.

Consommation électrique

9 watts

Dimensions (L x H x P)

318 x 86 x 228 mm

Poids

1,8 kg

* Mesurés avec un FPB de -6 dB/octave à 12,7 kHz

● 0 dB = 0,775 V eff.

■ CARACTERISTIQUES D'ENTREE

Bornes d'entrée	Commutateur Input	Atténuation de gain	Impédance de charge effective	Pour utilisation à nominal	Niveau d'entrée			Connecteur de la table
					Sensibilités*	Nominal	Maximum avant écrêtage	
Entrée CH 1, 2	MIC	MAX	10 kohms	Micro 50-600 ohms et Ligne 600 ohms	-62dB (0,62mV)	-50dB (2,5mV)	-28dB (31mV)	Prise jack
		MIN			-37dB (11mV)	-25dB (44mV)	-3dB (549mV)	
	LINE	MAX			-43dB (5,5mV)	-31dB (22mV)	-9dB (275mV)	
		MIN			-22dB (62mV)	-10dB (245mV)	+12dB (3,1V)	
Entrée CH 3 — 6			10 kohms	Ligne 600 ohms	-22dB (62mV)	-10dB (245mV)		Prise jack
AUX RTN 1, 2			10 kohms	Ligne 600 ohms	-32dB (19mV)	-20dB (78mV)		Prise jack
SUB IN			10 kohms	Ligne 600 ohms	-16dB (123mV)	-10dB (245mV)		Prise à broches RCA

■ CARACTERISTIQUES DE SORTIE

Bornes de sortie	Impédance de source effective	Pour utilisation à nominal	Niveau de sortie		Connecteur de la table
			Nominal	Maximum avant écrêtage	
ST OUT	600 ohms	Ligne 10 kohms	0dB (0,775V)	+17,5dB (5,8V)	Prise jack
AUX SND 1, 2	600 ohms	Ligne 10 kohms	-10dB (245mV)	+17,5dB (5,8V)	Prise jack
PHONES	100 ohms	Casque 8 ohms	-22dB (62mV)	-4,5dB (462mV)	Prise jack STEREO
SUB OUT	600 ohms	Ligne 10 kohms	-10dB (245mV)	+17,5dB (5,8V)	Prise à broches RCA

● 0 dB = 0,775 V eff.

● Toutes les prises jacks sont asymétriques

* La sensibilité est le niveau le plus bas produisant une sortie de 0 dB (0,775 V), ou le niveau de sortie nominal lorsque le gain de la table est réglé au maximum.

ENTRETIEN

L'entretien de cet appareil est assuré par le réseau mondial YAMAHA de personnel d'entretien qualifié et formé en usine des concessionnaires. En cas de problème, prendre contact avec le concessionnaire YAMAHA le plus proche.

Deutsch

MISCHPULT

AM602

BEDIENUNGSANLEITUNG

Herzlichen Glückwunsch!

Ihr AM602 ist ein hochwertiges Mischpult mit 6 Eingangskanalzügen und zwei Ausgangskanälen, das sich durch hervorragende klangliche Leistungen auszeichnet und dank der umfassenden Signalwegsteuerung vielseitige Einsatzmöglichkeiten bietet.

Bitte lesen Sie diese Bedienungsanleitung sorgfältig durch, um die vielseitigen Funktionen und das Potential Ihres AM602 voll ausnutzen zu können und bewahren Sie diese Anleitung zur späteren Bezugnahme an einem sicheren Ort auf.

INHALT

VORSICHTSMASSNAHMEN	25
BEDIENELEMENTE UND ANSCHLÜSSE	26
BEDIENELEMENTE	27
Eingangskanäle	27
Stereobus-Bedienungsmodul	28
ANSCHLÜSSE	29
ANWENDUNGSBEISPIEL	31
BLOCKDIAGRAMM	32
ABMESSUNGEN	32
TECHNISCHE DATEN	33
PEGELDIAGRAMM	35

VORSICHTSMASSNAHMEN

1. VOR ÜBERMÄSSIGER HITZE, FEUCHTIGKEIT, STAUB UND VIBRATION SCHÜTZEN

Das Gerät nicht an Orten aufstellen, die hohen Temperaturen oder Feuchtigkeit ausgesetzt sind, wie z. B. in der Nähe von Heizkörpern, Öfen usw. Außerdem Aufstellorte vermeiden, an denen übermäßig Staub oder Vibration auftritt, um das Gerät vor Schäden zu bewahren.

2. VOR FALL UND STOSS SCHÜTZEN

Fall und Stoß können Schäden am Gerät verursachen. Daher mit der gebotenen Umsicht handhaben.

3. NIEMALS DAS GERÄT ÖFFNEN ODER EIGENHÄNDIG REPARATUREN AUSFÜHREN

Dieses Gerät enthält keine vom Laien zu wartenden Teile. Alle Reparatur- und Wartungsarbeiten von einer qualifizierten YAMAHA-Kundendienststelle durchführen lassen. Das Öffnen des Gehäuses und/oder Verändern von internen Schaltkreisen führt zum Garantieverlust.

4. VOR DEM ANSCHLUSS ALLE GERÄTE AUSSCHALTEN

Vor dem Anschließen oder Abtrennen von Kabeln alle Geräte AUSschalten, um Schäden durch Schaltimpulse am Mischpult selbst und den anderen Geräten zu verhindern.

5. KABEL VORSICHTIG HANDHABEN

Beim Anschließen und Abtrennen von Kabeln, einschließlich des Netzkabels, das Kabel stets am Stecker fassen.

6. MIT EINEM TROCKENEN WEICHEN TUCH REINIGEN

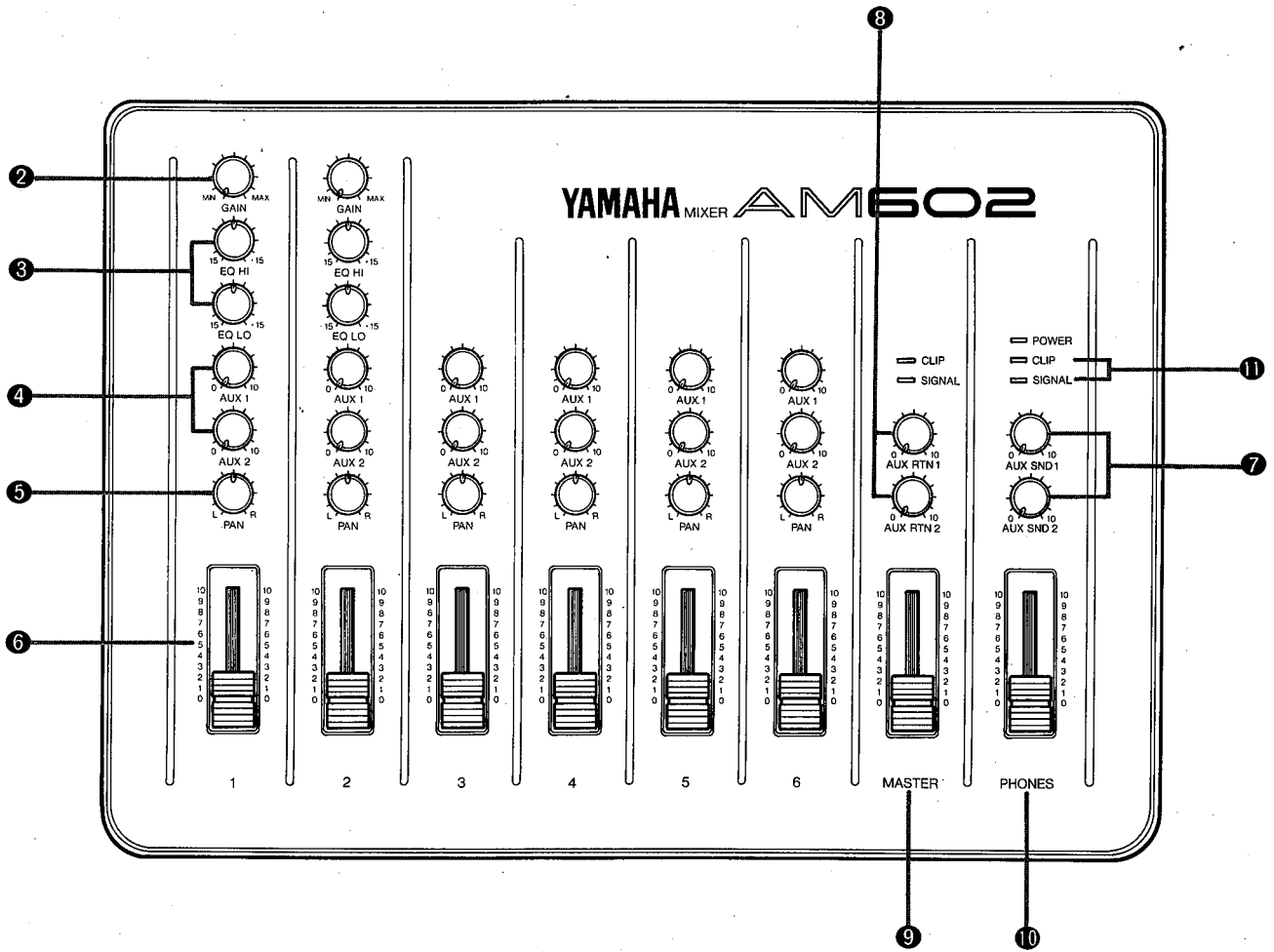
Zum Reinigen niemals Benzin oder Verdünner verwenden. Mit einem trockenen weichen Tuch abwischen.

7. AUF KORREKTE NETZSPANNUNG ACHTEN

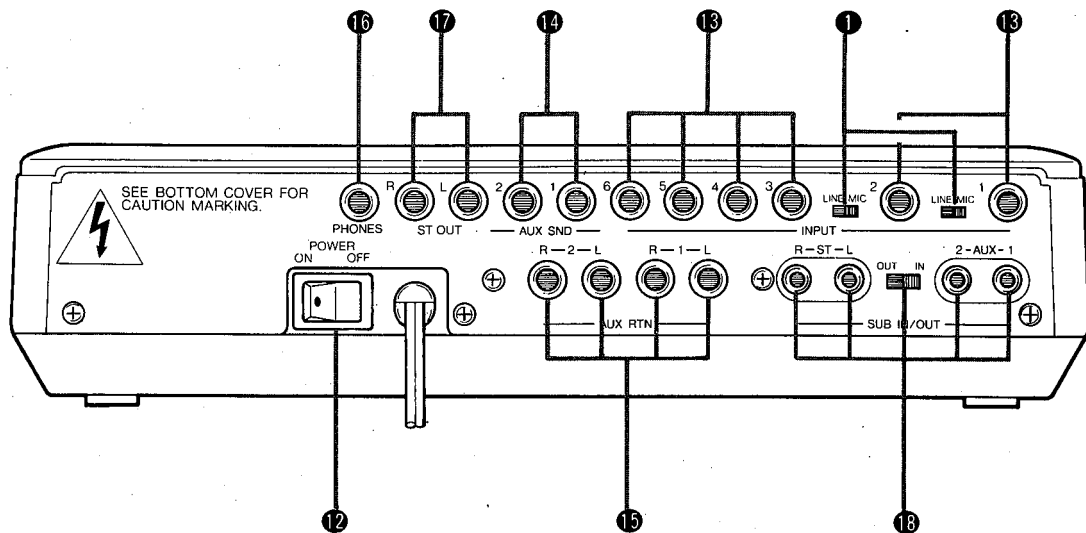
Sicherstellen, daß die Betriebsspannungswerte auf der Rückseite der örtlichen Netzspannung entsprechen.

BEDIENELEMENTE UND ANSCHLÜSSE

BEDIENUNGSKONSOLE



RÜCKSEITE



BEDIENELEMENTE

● Eingangskanäle

① Mikrofon/Hochpegel-Schalter (Rückseite) - Kanäle 1 & 2

Dieser Schalter dient zum Anpassen der Eingangsempfindlichkeit der Eingangskanäle 1 und 2 an Mikrofon- oder Hochpegelquellen. Bei Anschluß einer Hochpegelquelle wie z. B. eines elektronischen Keyboards den Schalter auf LINE stellen. Bei Anschluß von Niederpegelquellen wie z. B. einem Mikrofon den Schalter in Stellung MIC bringen.

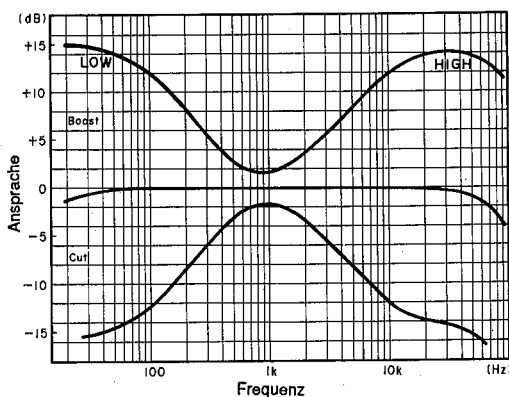
② Verstärkungsfaktorregler (GAIN) - Kanäle 1 & 2

Der GAIN-Regler gleicht die Eingangsempfindlichkeit des entsprechenden Kanals ab. Dank dieser stufenlosen Regler kann die Eingangsempfindlichkeit akkurat auf den Ausgangspegel von Mikrofonen oder Hochpegelquellen abgestimmt werden.

③ 2-Band-Entzerreregler (EQ LO & HI) - Kanäle 1 & 2

Mit diesen Reglern kann der Frequenzgangverlauf der Kanäle 1 und 2 individuell gesteuert werden. Der EQ HI-Regler (für hohes Frequenzband) und EQ LO-Regler (für tiefes Frequenzband) haben folgende Wirkungseigenschaften:

Regler	Bereich	Freq.	Typ
HI	±15 dB	10 kHz	Kuhschwanzfilter
LO	±15 dB	100 Hz	Kuhschwanzfilter

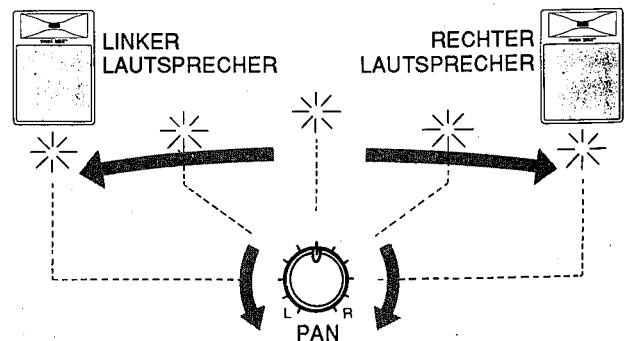


④ Sendewegpegelregler (AUX)

Die Regler AUX1 und AUX 2 des AM602 bestimmen den Pegel, mit dem das im entsprechenden Kanal abgegriffene Signal zu den AUX -Bussen 1 und 2 geschickt wird. Der Gesamtsignalpegel der AUX-Gruppenbusse 1 und 2 wird über die Sendebus-Pegelregler (AUX SND 1 und 2) festgelegt. Die Ausgangssignale der AUX-Gruppenbusse liegen an den Buchsen AUX SND auf der Rückseite an. Mit den AUX-Pegelreglern der Eingangskanäle können zwei separate Mischungen erstellt werden, um z. B. ein externes Effektgerät und ein Cue-Kopfhörersystem usw. zu speisen. Alle AUX-Pegelregler sind hinter der Entzerrer- und Faderstufe integriert, d. h. daß der Signalabgriff hinter diesen Stufen erfolgt und die AUX-Signale daher von den Entzerrer- und Fadereinstellungen der jeweiligen Kanäle beeinflusst werden.

⑤ Panormaregler (PAN)

Dieser Regler teilt das betreffende Kanalsignal zwischen dem linken und rechten Stereobus auf, wodurch die Signalposition im Stereoklangbild festgelegt wird. Falls der PAN-Regler z. B. ganz nach links gedreht ist, liegt das Signal dieses Kanals nur am linken Stereoausgang an. Falls der PAN-Regler z. B. ganz nach rechts gedreht ist, liegt das Signal dieses Kanals nur am rechten Stereoausgang an. In der Mittelstellung des PAN-Reglers wird das entsprechende Kanalsignal mit gleichem Pegel auf linken und rechten Stereokanal gelegt. Durch Einstellungen zwischen den Anschlagpunkten wird das Signal im Verhältnis zur Reglerstellung auf linken und rechten Stereokanal verteilt.



⑥ Kanalfader

Dies sind die Hauptpegelregler für die einzelnen Eingangskanäle. Sie legen fest, mit welchem Pegel das vom entsprechenden Eingangskanal kommende Signal zum Stereobus geschickt wird. Die Einstellungen dieser Fader legen das Lautstärkeverhältnis zwischen den an den Kanaleingängen angeschlossenen Instrumenten oder Quellen fest.

HINWEIS:

Falls ein Kanal nicht beschaltet ist, sollte der Fader ganz abgesenkt werden, um Rauscheinstrahlungen in die Programmsignale zu verhindern.

● Stereobus-Bedienungsmodul

⑦ Sendebus-Pegelregler (AUX SND 1, 2)

Diese Regler legen den Gesamtausgangspegel der Schleifenbusse AUX 1 und AUX 2 fest. Das Pegelverhältnis zwischen den einzelnen Kanalsignalen in den Schleifenbussen wird durch die AUX 1- und AUX 2-Pegelregler der Eingangskanalzüge bestimmt. AUX SND 1 steuert hierbei den Gesamtpegel des Mischsignals von AUX-Schleifenbus 1, das an der Buchse AUX SND 1 anliegt, während AUX 2 den Gesamtpegel des an der Buchse AUX SND 2 anliegenden Mischsignals regelt. Mit diesen Reglern können die Ausgangspegel der beiden AUX-Schleifenbusse optimal an die Eingangsempfindlichkeit von externen Effektgeräten, Signalprozessoren oder Leistungsverstärkern angeglichen werden.

⑧ Schleifen-Rückgabepegelregler (AUX RTN 1 & AUX RTN 2)

Diese Regler bestimmen den Pegel des Signals, das an der entsprechenden AUX RTN-Buchse der Geräte rückseite empfangen und in die Stereobusse eingeleitet wird. Bei diesen Eingängen handelt es sich um Stereoeingänge, um Kompatibilität mit Effektgeräten zu gewährleisten, die einen Mono-Ein- und Stereo-Ausgang aufweisen.

⑨ Hauptfader (MASTER)

Der MASTER-Fader legt den Ausgangspegel der Signale auf linken und rechten Stereokanal fest, die an den Buchsen ST OUT L und R anliegen.

⑩ Kopfhörerpegelregler (PHONES)

Der PHONES-Regler bestimmt den Pegel der Stereo-programmsignale, die zur PHONES-Buchse auf der Rückseite geschickt werden. Die Kopfhörerlautstärke mit diesem Regler einstellen.

⑪ Pegelanzeigen

Das AM602 besitzt Signal- (SIGNAL) und Verzerrungsanzeigen (CLIP) für linken und rechten Kanal. Die SIGNAL-Anzeigen leuchten auf, wenn Signale im Stereobus erfaßt werden. Die CLIP-Anzeigen hingegen sprechen an, wenn die Signale im entsprechenden Stereobus einen Pegel von 3 dB unter dem Verzerrungspegel erreichen. Es spielt keine Rolle, wenn die CLIP-Anzeigen gelegentlich aufleuchten. Falls sie jedoch häufig aufleuchten, weist dies auf eine Übersteuerung hin. In diesem Fall die Fader-Pegel oder Ausgangspegel der angeschlossenen Quellen absenken.

⑫ Netzschalter (POWER) (Rückseite)

Zum Einschalten des AM602 den POWER-Schalter auf der ON-Seite drücken, zum Ausschalten die OFF-Seite drücken. Bei eingeschaltetem Mischpult leuchtet die POWER-Anzeige.

VORSICHT:

Vor dem Einschalten des Mischpults unbedingt den MASTER-Fader ganz absenken.

ANSCHLÜSSE

13 Eingangsbuchsen (INPUT)

Das AM602 verfügt über insgesamt 6 Eingangskanäle mit jeweils einer 1/4 Zoll Mono-Klinkenbuchse. Siehe die Beschreibung 1 MIC/LINE-Schalter hinsichtlich der Verwendung dieser Schalter bei den Eingangskanälen 1 & 2. Wenn der MIC/LINE-Schalter auf MIC gestellt ist, ist der Eingangspegel bzw. die -impedanz des entsprechenden Kanals auf $-50 \text{ dB}/50 - 600 \text{ Ohm}$ eingestellt. In der Schalterstellung LINE betragen Eingangspegel und -impedanz $-10 \text{ dB}/600 \text{ Ohm}$. Die Eingänge ohne MIC/LINE-Schalter verfügen über einen Eingangspegel und eine -impedanz von $-10 \text{ dB}/600 \text{ Ohm}$.

14 AUX-Bussendebuchsen (AUX SND 1 & 2)

An diesen Buchsen liegen die Mischungen der AUX-Schleifenbusse 1 und 2 an, um diese Signale zu einem externen Signalprozessor oder Monitorsystem zu senden. Nennpegel und -impedanz der AUX SND-Buchsen betragen $-10 \text{ dB}/10 \text{ kOhm}$.

15 Linke und rechte AUX-Schleifenrückgabebuchsen (AUX RTN 1 (L & R), AUX RTN 2 (L & R))

Die Ausgangssignale der Signalprozessoren, die über die Buchsen AUX SND 1 oder 2 gespeist werden, können über diese Buchsen zum Stereobus rückgeführt werden. Die Stereo AUX RTN-Buchsen gewährleisten Kompatibilität mit herkömmlichen Signalprozessoren, die einen Mono-Ein- und einen Stereo-Ausgang besitzen. Über die AUX RTN-Buchsen können natürlich auch zusätzliche externe Signale (z. B. von Bandgerät oder CD-Spieler), die nicht von Prozessoren kommen, in die Stereobusse eingeblendet werden. Nominalpegel/-impedanz dieser Buchsen betragen $-20 \text{ dB}/600 \text{ Ohm}$.

16 Kopfhörerbuchse (PHONES)

Die PHONES-Buchse gibt das Stereo-Ausgangssignal des Mischpults an Standard-Stereokopfhörer mit 8 Impedanz ab. Der Mithörpegel wird über den PHONES-Pegelregler justiert.

17 Linker & rechter Stereo-Ausgang (ST OUT L & R)

An diesen Ausgängen liegt das Hauptprogrammssignal vom Stereobus des Mischpults an. Diese 1/4 Zoll Klinkenbuchsen geben die Signale des Stereobus mit einem Nominalpegel von 0 dB und einer Nennimpedanz von 10 kOhm ab.

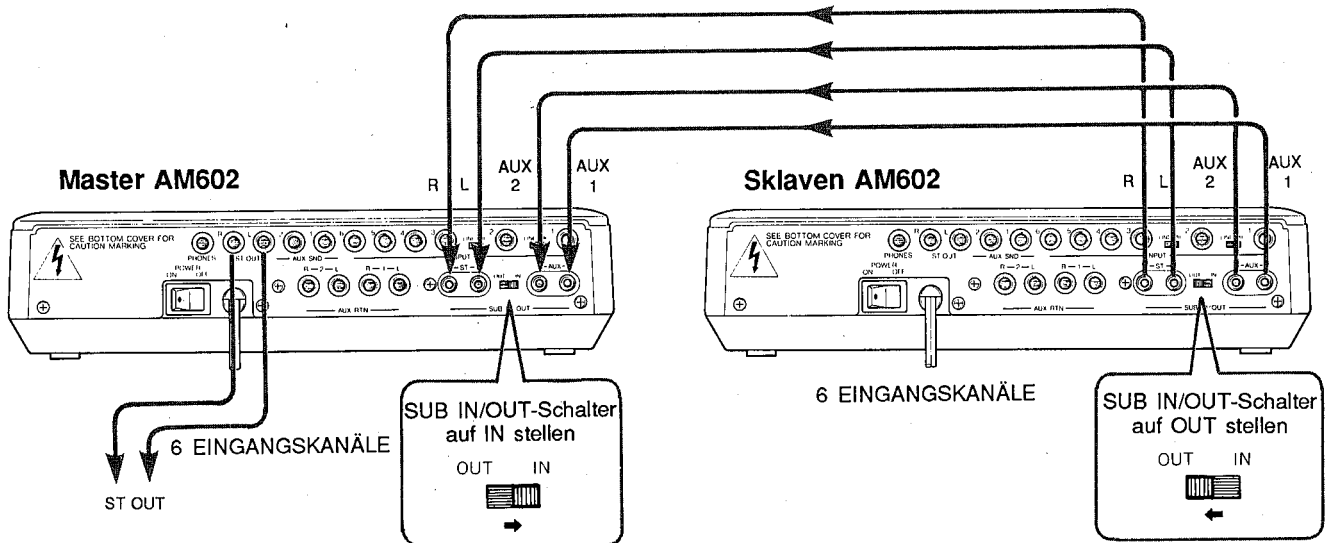
18 Nebenein/ausgänge (SUB IN/OUT)

Diese vier Buchsen und der IN/OUT-Wahlschalter erlauben die Kaskadierung (in Reihe schalten) von zwei AM602, um die Anzahl der Eingangskanäle von 6 auf 12 zu erhöhen. Wenn zwei AM602 kaskadiert werden, fungiert eines als Master-Mischpult und das andere als Sklave. Die Eingangskanalfader des Sklavemischpults arbeiten normal, seine Stereomodul-Bedienelemente sind jedoch außer Funktion gesetzt. Die Eingangskanal-Bedienelemente des Master-Mischpults arbeiten ebenso wie gehabt und seine Stereomodul-Bedienelemente steuern das Stereomischsignal des gesamten Systems. Dies bedeutet, daß der MASTER-Fader und die AUX SND- bzw. AUX RTN-Regler des Master-Mischpults die Abmischfunktion für alle 12 Kanäle steuern. Der Schalter SUB IN/OUT bestimmt, ob die SUB IN/OUT-Buchsen als Eingänge oder Ausgänge arbeiten und damit, ob das AM602 als Master- oder Sklavemischpult fungiert. Wenn das Mischpult als Sklave eingesetzt werden soll, den SUB IN/OUT-Schalter auf OUT stellen, während bei Einsatz als Master der Schalter auf IN gestellt werden muß. Das nachstehende Diagramm zeigt die Anschlüsse und Schalterstellungen für die Kaskadierung.

HINWEIS:

Für den normalen Einzelbetrieb den Schalter SUB IN/OUT auf IN stellen. In dieser Stellung fungieren die Buchsen der SUB IN/OUT-Gruppe als Zusatzeingänge, über die externe Hochpegelsignale in den Stereobus und in die Schleifenbusse eingeblendet werden können. Falls der Schalter SUB IN/OUT auf OUT gestellt ist, können die Buchsen SUB IN/OUT L und R als Aufnahmeausgänge zum Anschluß eines Tonbandgeräts verwendet werden, da sie Hochpegelsignale abgeben.

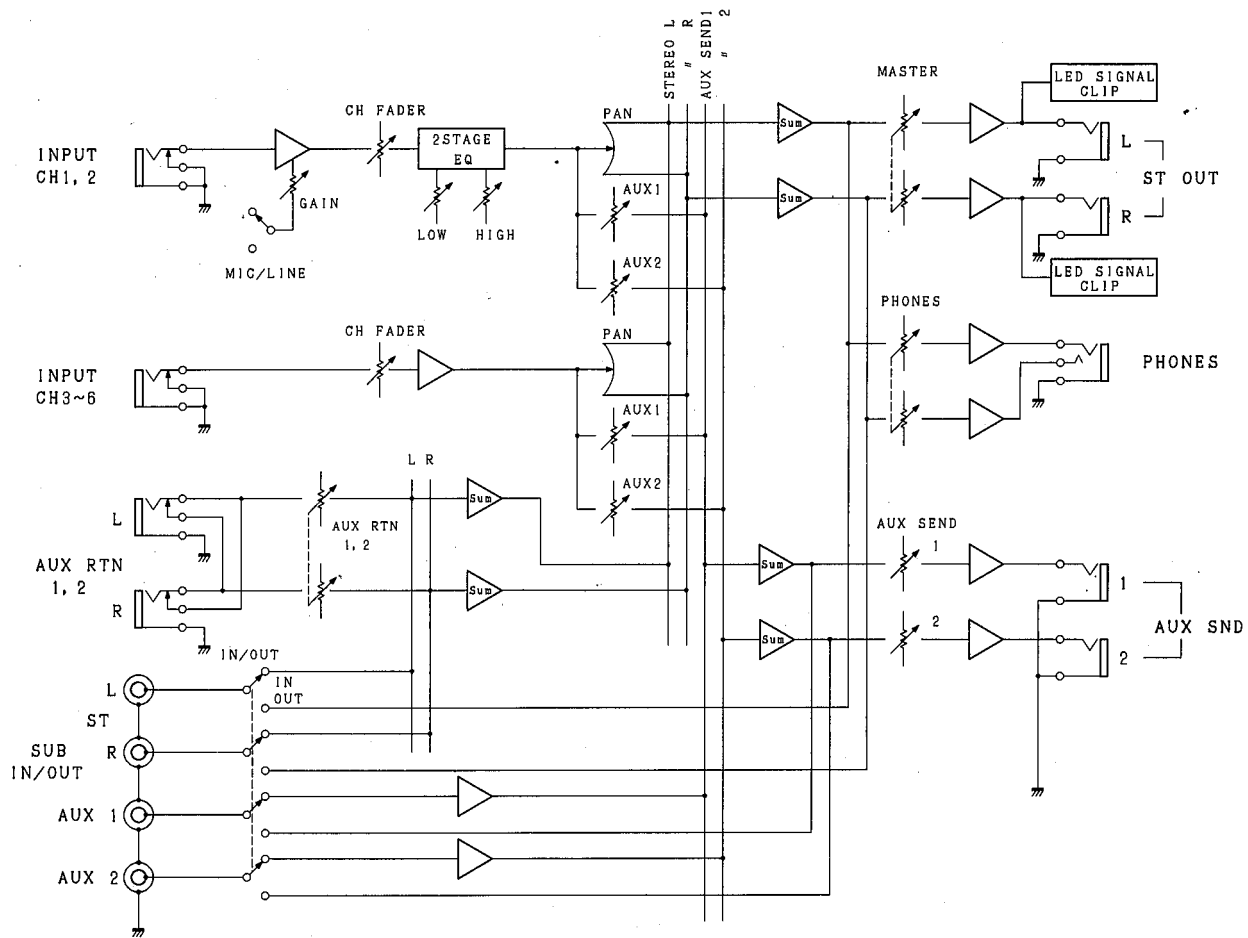
AUX SND- und AUX RTN-Regler
sowie MASTER-Fader des Master
AM602 verwenden.



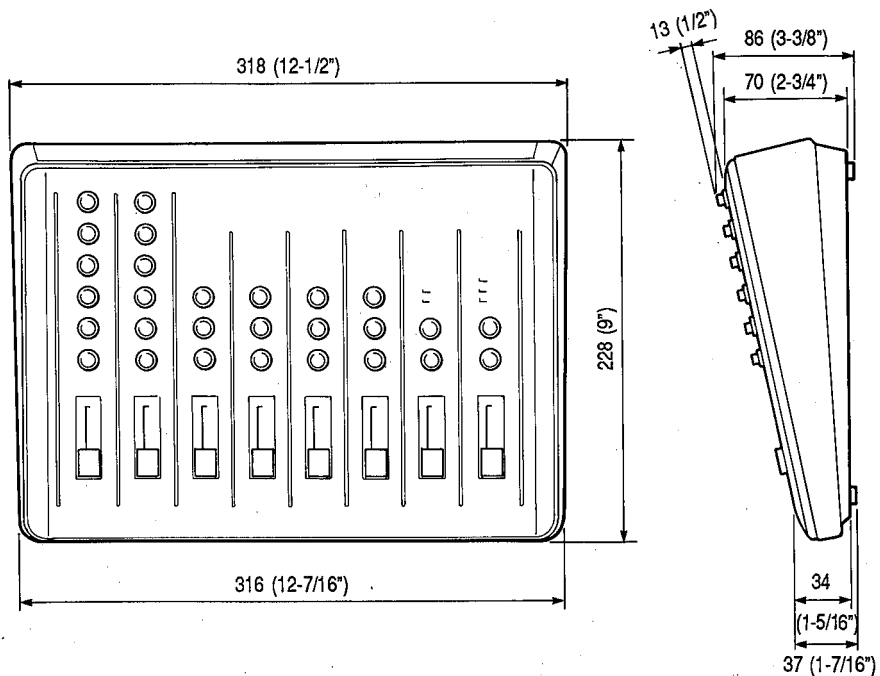
WICHTIGE HINWEISE

- * VOR DEM ANSCHLUSS ODER ABTRENNEN VON KABELN UNBEDINGT DAS MISCHPULT AUSSCHALTEN ODER DEN MASTER-FADER GANZ ABSENKEN.
- * DIE PROGRAMMQUELLEN WIE ELEKTRONISCHE INSTRUMENTE USW. STETS ZUERST UND **DANACH** DAS MISCHPULT BEI GANZ ABGESENKTEM MASTER-FADER EINSCHALTEN.
- * NIEMALS DIE LAUTSPRECHEREINGÄNGE EINES VERSTÄRKERS DIREKT MIT DEN EINGÄNGEN DIESES MISCHPULTS VERBINDEN, FALLS KEIN DÄMPFUNGSPAD ZUM ABSENKEN DES SIGNALPEGELS ZWISCHENGESCHALTET IST.

BLOCKDIAGRAMM



ABMESSUNGEN



EINHEIT = mm

TECHNISCHE DATEN

Frequenzgang

+1, -2 dB, 20 Hz - 20 kHz, 10 kOhm, 0 dB (ST OUT)

+1, -2 dB, 20 Hz - 20 kHz, 10 kOhm, -10 dB (AUX SND 1,2) (SUB OUT)

Gesamtklirrfaktor

Weniger als 0,05%, 20 Hz - 20 kHz, 10 kOhm, +10 dB

Brummen & Rauschen* (20 Hz - 20 kHz, Widerstand = 150 Ohm, CH 1, 2, GAIN auf Max.)

-122dB (CH 1, 2) Äquivalentes Eingangsrauschen

-90 dB (ST OUT) Restausgangsrauschen

-76 dB (76 dB Rauschabstand) an ST OUT, MASTER-Fader auf Nominalwert, alle Kanal-Fader auf Minimum.

-72 dB (72 dB Rauschabstand) an ST OUT, MASTER-Fader auf Nominalwert, Kanal-Fader 1 & 2 auf Minimum.

-88 dB (78 dB Rauschabstand) an AUX SND, alle Kanal-AUX-Regler auf Minimum

-82 dB (72 dB Rauschabstand) Fader von Kanal 1 & 2 auf Minimum, AUX-Regler auf Nominalwert

Max. Ausgangspegel

+17,5 dB, 20 Hz — 20 kHz, 10 kOhm, Gesamtklirrfaktor 0,22%

Max. Spannungsverstärkung

62 dB Kanal 1, 2 zu ST OUT

22 dB Kanal 3 - 6 zu ST OUT

58 dB Kanal 1, 2 zu AUX SND

18 dB Kanal 3 - 6 zu AUX SND

32 dB AUX RTN zu ST OUT

16 dB SUB IN (ST) zu ST OUT

6 dB SUB IN (AUX) zu AUX SND

Übersprechdämpfung

-60 dB bei 1 kHz, zwischen angrenzenden Kanälen

-60 dB bei 1 kHz, Eingang zu Ausgang

Eingangskanalentzerrung (Kanal 1, 2)

15 dB Pegelanhebung, -abschwächung max.

HI: 10 kHz (Kuhschwanzcharakteristik)

LO: 100 Hz (Kuhschwanzcharakteristik)

Verzerrungsanzeigen (ST L, R)

CLIP (rot) leuchtet auf, Stereo-Ausgangssignal 3 dB unter Verzerrungspegel erreicht.

Signalanzeigen (ST L, R)

SIGNAL (grün) leuchtet wenn Signale an ST OUT einen Pegel von -10 dB erreichen (10 dB unter Nominal-Ausgangspegel.)

Stromversorgung

Das Mischpult ist bereits auf die Netzspannung und-frequenz des Bestimmungslandes eingestellt.

Leistungsaufnahme

9 W

Abmessungen (B x H x T)

318 x 86 x 228 mm

Gewicht

1,8 kg

* Mit -6dB/Okt. Tiefpaßfilter bei 12,7 kHz gemessen

● 0 dB = 0,775 Veff

■ EINGANGSKENNDATEN

Eingangsbuchsen	Input-Schalter	GAIN	Tatsächliche Lastimpedanz	Bei Einsatz mit Nominalwert	Eingangspegel			Buchsentyp
					Empfindlichkeit*	Nominal	Maximum bevor Verzerrung	
Eingangs CH 1, 2	MIC	MAX	10 kOhm	50–600 Ohm Mikr. und 600 Ohm Hochpegel	-62dB (0,62mV)	-50dB (2,5mV)	-28dB (31mV)	Klinkenbuchse
		MIN			-37dB (11mV)	-25dB (44mV)	-3dB (549mV)	
	LINE	MAX			-43dB (5,5mV)	-31dB (22mV)	-9dB (275mV)	
		MIN			-22dB (62mV)	-10dB (245mV)	+12dB (3,1V)	
Eingangs CH 3 — 6			10 kOhm	600 Ohm Hochpegel	-22dB (62mV)	-10dB (245mV)		Klinkenbuchse
AUX RTN 1, 2			10 kOhm	600 Ohm Hochpegel	-32dB (19mV)	-20dB (78mV)		Klinkenbuchse
SUB IN			10 kOhm	600 Ohm Hochpegel	-16dB (123mV)	-10dB (245mV)		Cinchbuchse

■ AUSGANGSKENNDATEN

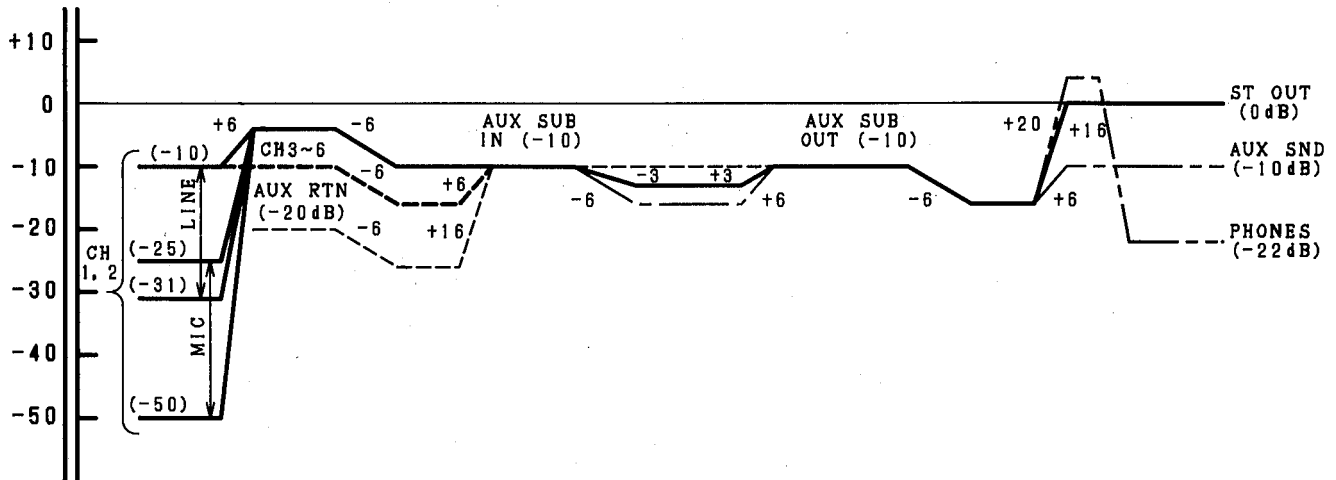
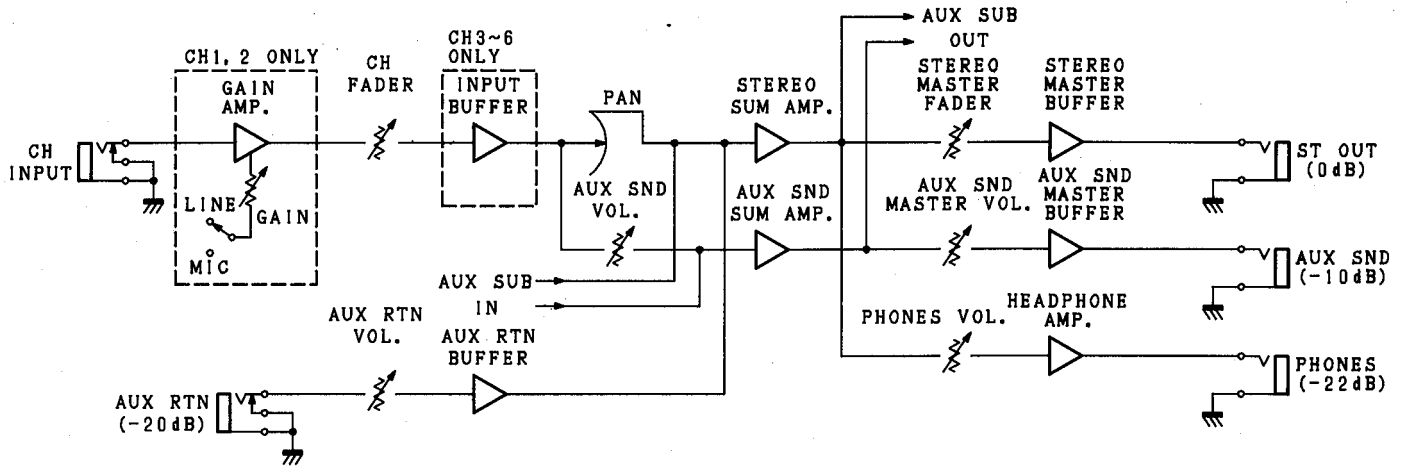
Ausgangsbuchsen	Tatsächliche Quellenimpedanz	Bei Einsatz mit Nominalwert	Ausgangspegel		Buchsentyp
			Nominal	Maximum bevor Verzerrung	
ST OUT	600 Ohm	10 kOhm Hochpegel	0dB (0,775V)	+17,5dB (5,8V)	Klinkenbuchse
AUX SND 1, 2	600 Ohm	10 kOhm Hochpegel	-10dB (245mV)	+17,5dB (5,8V)	Klinkenbuchse
PHONES	100 Ohm	8 Ohm Hochpegel	-22dB (62mV)	-4,5dB (462mV)	Stereo-Klinkenbuchse
SUB OUT	600 Ohm	10 kOhm Hochpegel	-10dB (245mV)	+17,5dB (5,8V)	Cinchbuchse

- 0dB = 0,775 Veff
- Alle Klinkenbuchsen unsymmetrisch.
- * Empfindlichkeit ist der niedrigste Eingangspegel, der einen Ausgangspegel von 0dB (0,775 V) bewirkt, oder der den Nominalausgangspegel bei maximalen Gain erzeugt.

KUNDENDIENST

Für dieses Gerät steht das weltweite YAMAHA Kundendienstnetz mit qualifiziertem, werksgeschultem Personal zur Verfügung. Bei Störungen und Problemen wenden Sie sich bitte an Ihren YAMAHA-Händler.

LEVEL DIAGRAM HIPSOGRAMME PEGELDIAGRAMM



YAMAHA